

SO CAL
SORCERER
USER'S
GROUP



Richard Brown
(213) 433-6405
Jose Ramirez
145 E. 53rd St.
Long Beach, Ca. 90805
(213) 428-1758

The next meeting of the S.C.S.U.G. will be held at Walt Hendrickson's house located at 5008 Range Horse Lane, Rolling Hills Estates, on MAY 14, 1987 at 8:00 p.m. The tentative agenda for the May meeting will be (1) The status of the Bulletin Board (2) I/O ports, status and send (3) Free discussion.

At the April meeting we discussed two general topics. The first was the meeting day and the extent of topics that we can discuss at the meetings. The second was a status report on the Bulletin Board by Eric. We also got to see a soft sector 56K RAM Exidy in operation. It was a 48K computer with an 8K RAM pack.

Walt modified one of his Sorcerers and a ROM pack. The ROM pack was made into a RAM pack. Unfortunately, there may be some very slow chips on some of the Sorcerers, and the RAM pack may not run on all systems. So a word of caution...you may do the modifications and still have the chore of trying to make the system work. The addendum this month will consist of the two schematics that Walt passed out at the meeting. The schematics show the modifications on the Sorcerer and the RAM pack.

The meeting day got the most discussion. And after suggestions of Monday nights, Friday nights, Saturday sometime, and the objections to all. I just put off the discussion to another day, and kept reliable Thursdays. As for expanding the scope of the meetings to include MS DOS and CP/M (general)... there were three very adamantly negative responses. From the response, we shall all endeavor to keep the meetings primarily Sorcerer oriented.

Walt also gave me some printed files from some trashed out diskettes that he received from Sorcerer's Apprentice. I plan to start including some of the files in next month's newsletter. Unfortunately, authorship cannot be verified so if one of you recognizes something you may have written, please do not take it as plagiarism. It just happened that Walt was only able to save some files and some were incomplete.

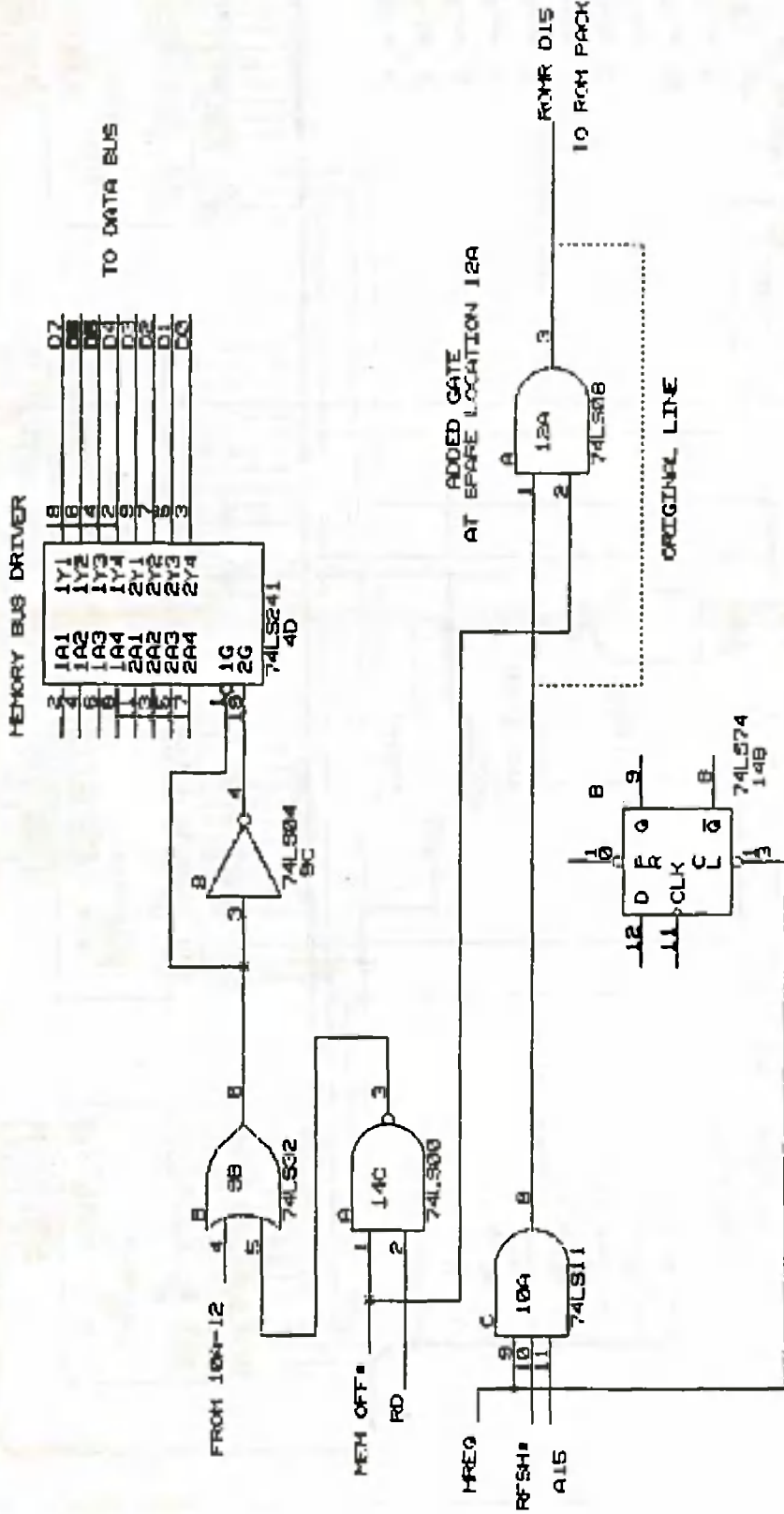
The most important subject to all you folks that are not able to attend meeting due to geography... the Bulletin Board was discussed. Eric has spent his money and time trying to get a BBS up, but he still has problems (1) with code and (2) trying to get 8" double sided double density configured to his system.

The BBS is especially important for you folks that do not live in Southern California. It must be frustrating not to be able to communicate with other Exidy users. The BBS is one of my personal goals, and Eric has the best chance of accomplishing the feat with some help from those of you that can assist. I am just in the process of getting a 56k system, and it is difficult to get a BBS with a small RAM and no extra telephone line. Walt as most have surmized has carried a large burden since John, Wayne, Carl, and Mel have left the area or the group. The BBS would afford us the luxury of communicating with one another in a very fast manner. Please be assured that the letters that I have received have been shown to the group that attends the meetings. As some of you know, I will answer those letters that require an answer. It just takes a long time to get a response from other users. And due to one of the queries I shall also try to give an answer to the question ... why Sellbinder?...in the following newsletters. Again the BBS would expedite replys.

The Advanced Swap Meet was tentatively scheduled for May 17. If you are looking for good buys, that is the place to go. As you may imagine most of the goods are MS DOS or IBM oriented. So you will have to look around for the CP/M goods, of course there are always the universal goodies i.e. printers, external modems, etc. The TRW Swap Meet will be as usual on the last Saturday of the month. At the last TRW meet there were dd dd diskettes selling for \$6.00 per box of name brand diskettes. And that alone makes the trip worth while. Parallel printer cables were going for \$5.00.

The letter from Daniel Say in Canada arrived yesterday and I have decided to include it in the newsletter. Since, I feel it is important to support any English publication on our orphan. In answer to your query, I am not aware of any publication in North America that supports the Exidy Sorcerer other than our group of die-hards. I have not had the oppurtunity to look at a tape sent, I hope it is something that can be included in some future newsletters. Thanks for the support.

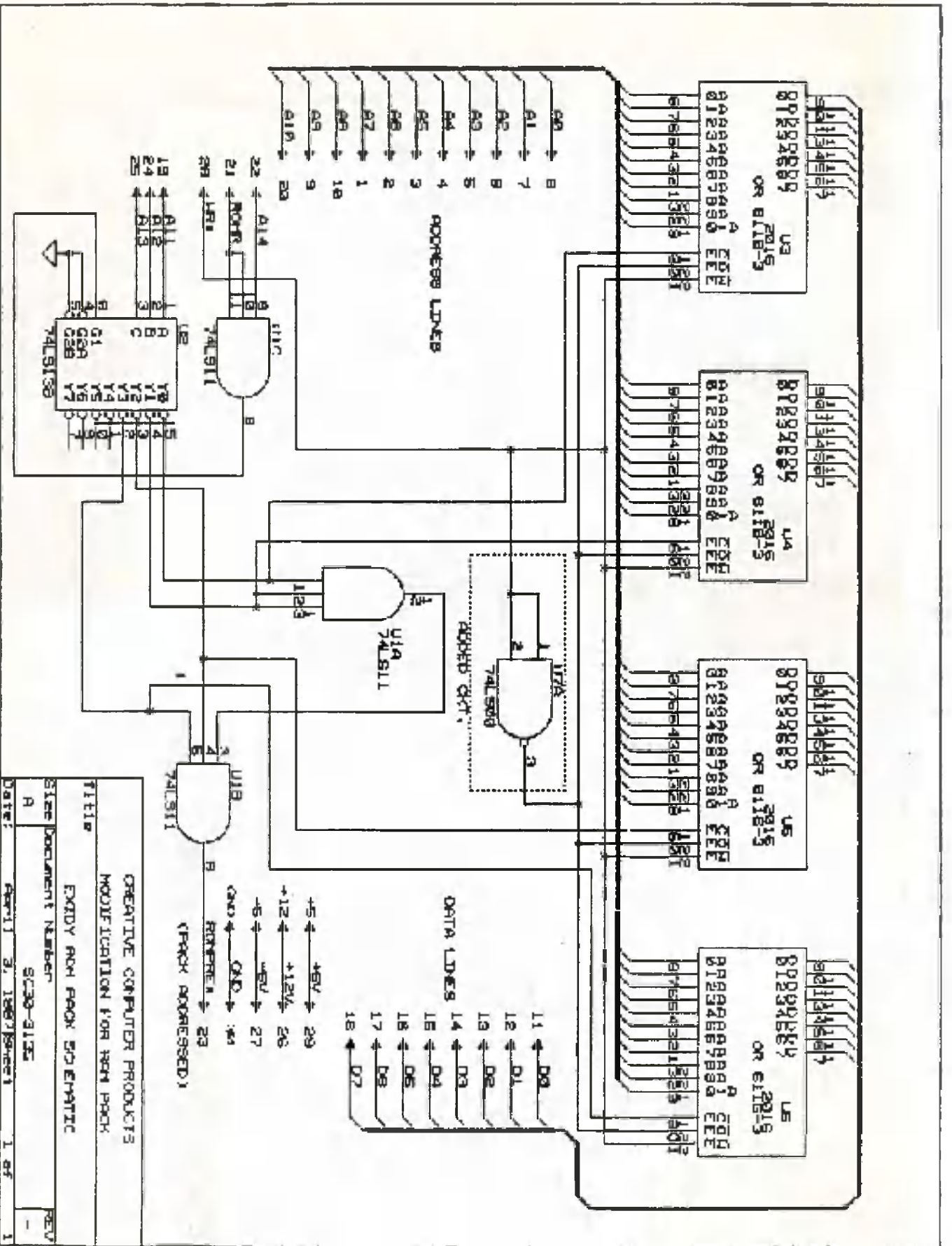
EXIDY 48K SORCERER RAM PACK MODIFICATION



THIS MODIFICATION PROVIDES A MEMORY OFF SIGNAL TO THE PACK LOCATION SO THAT A RAM PACK CAN CO-EXIST WITH THE EXIDY SOFT-SECTORED DISK CONTROLLER.

CREATIVE COMPUTER PRODUCTS

Title	EXIDY SORCERER RAM PACK MODIFICATION
Size/Document Number	A EXDY-RP
Rev	
Date:	April 2, 1987 Sheet 1 of 1



CREATIVE COMPUTER PRODUCTS
 MODIFICATION FOR RAM PACK
 EXIDY RAM PACK SCHEMATIC
 Schematic Number: SC30-3125
 Date: April 3, 1987
 1 of 1

Box 65583
Vancouver, B.C.
V5N 5K5
CANADA

19 April 1987

Richard Brown
Jose Ramirez
145 E. 53rd St.
Long Beach, Calif
90805

Dear Mr. Brown,

I enclose \$5.00 for the renewal of my subscription to the Southern Calif Sorcerer User Group.

Have you heard of any other North American Sorcerer publications?

It is a shame that no one is renewing their subs to the English translation of ESGG, the Dutch Sorcerer mag. If they don't get a couple of dozen subscriptions by June, they are going to drop the cover-to-cover translation issue. It was much cheaper than SCUA and had more specific Sorcerer articles, in English. And they have megabytes of Sorcerer software on disk and cassette as well as hardware mods such as BASIC extension pacs, 740K randisk built into the case etc.

And they have Sorcerer-exclusive conventions with-displays, lectures, hardware mods done while you wait etc. in March and September for those with European vacations.

Write to Treasurer, ESGG, Herman de Manpark 41, NL-3411 ZN, Lopik, The Netherlands, if you are interested at all.

yours sincerely

Daniel Say