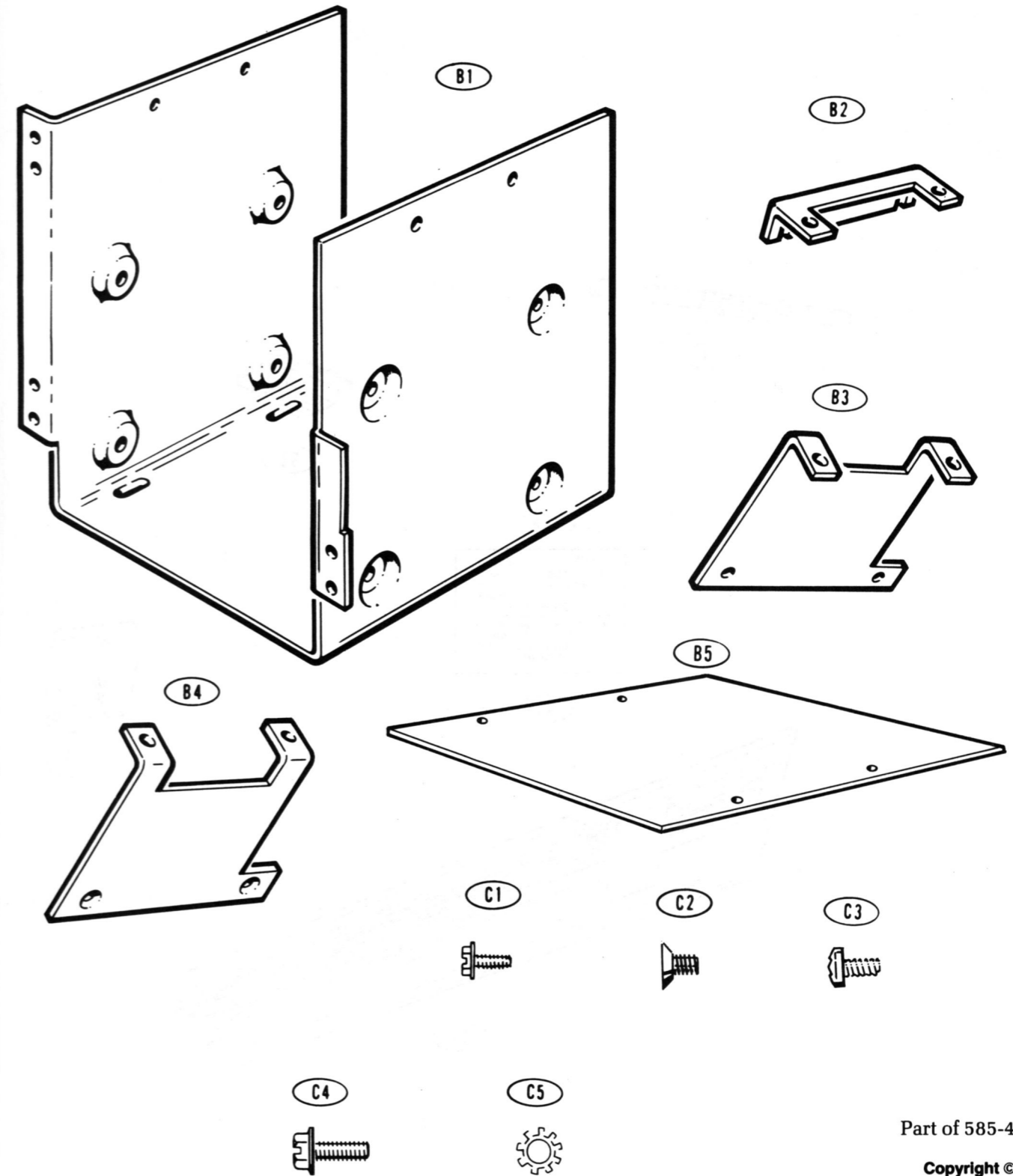
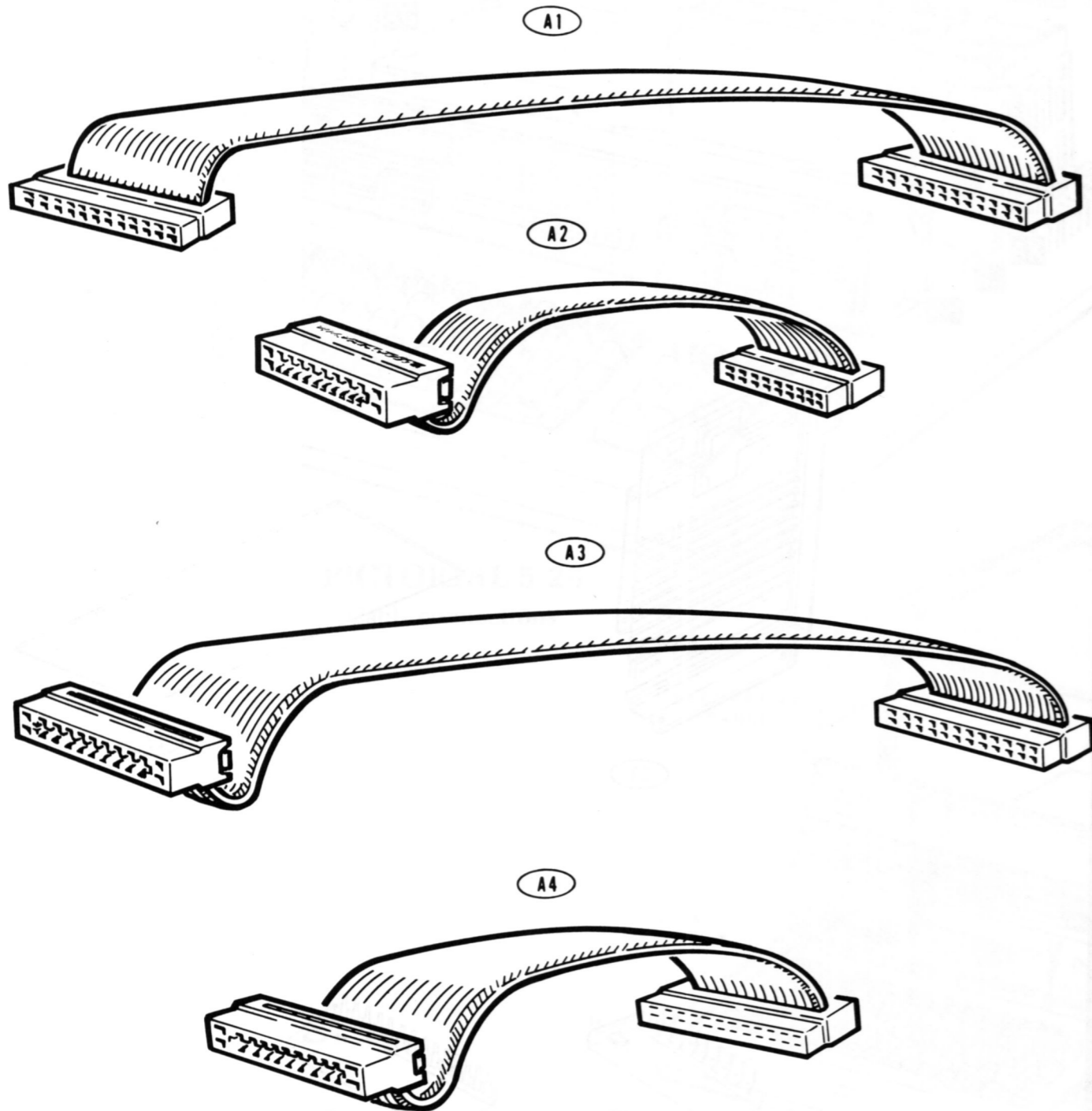


# ILLUSTRATION BOOK

## PARTS PICTORIAL

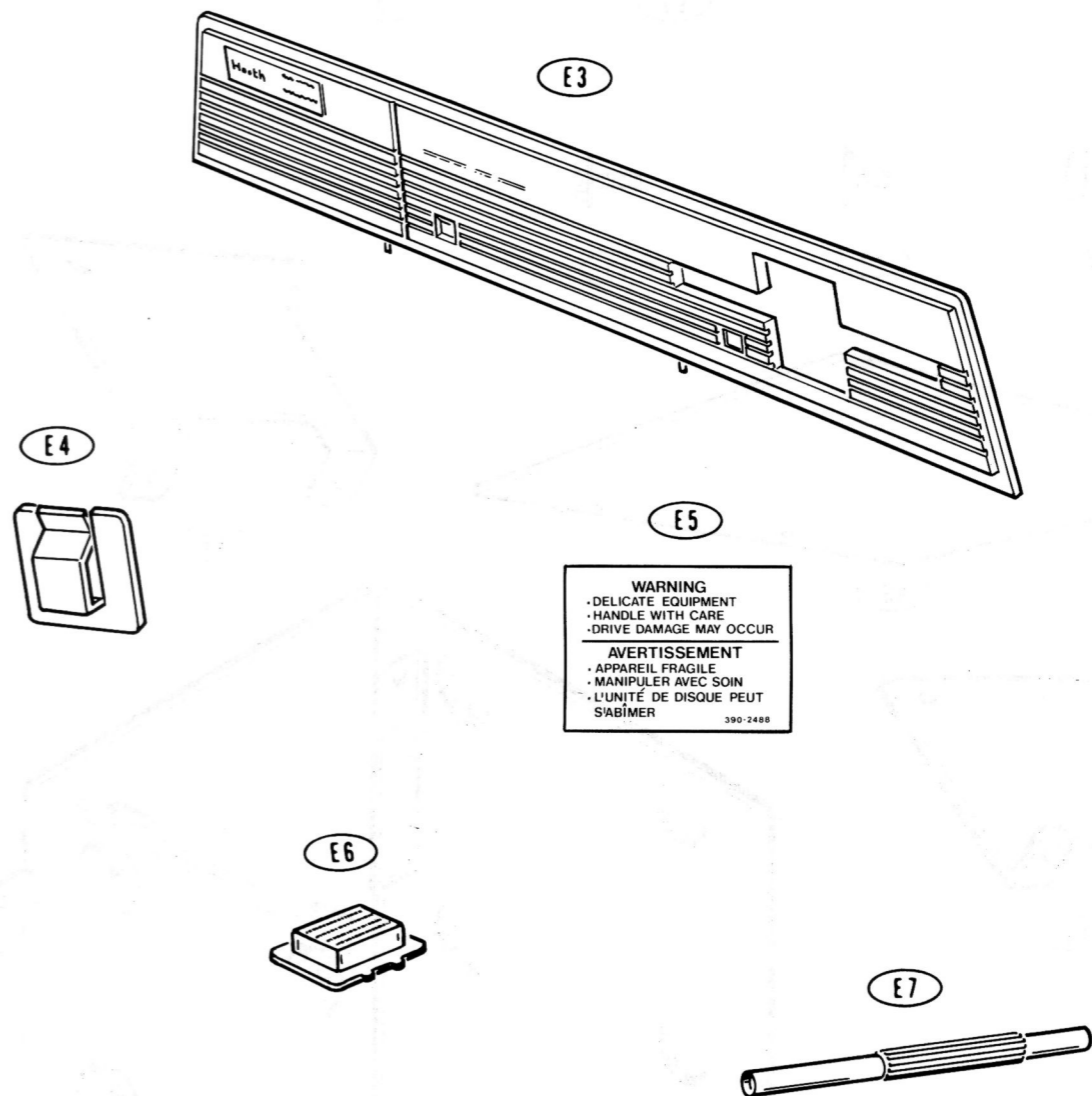
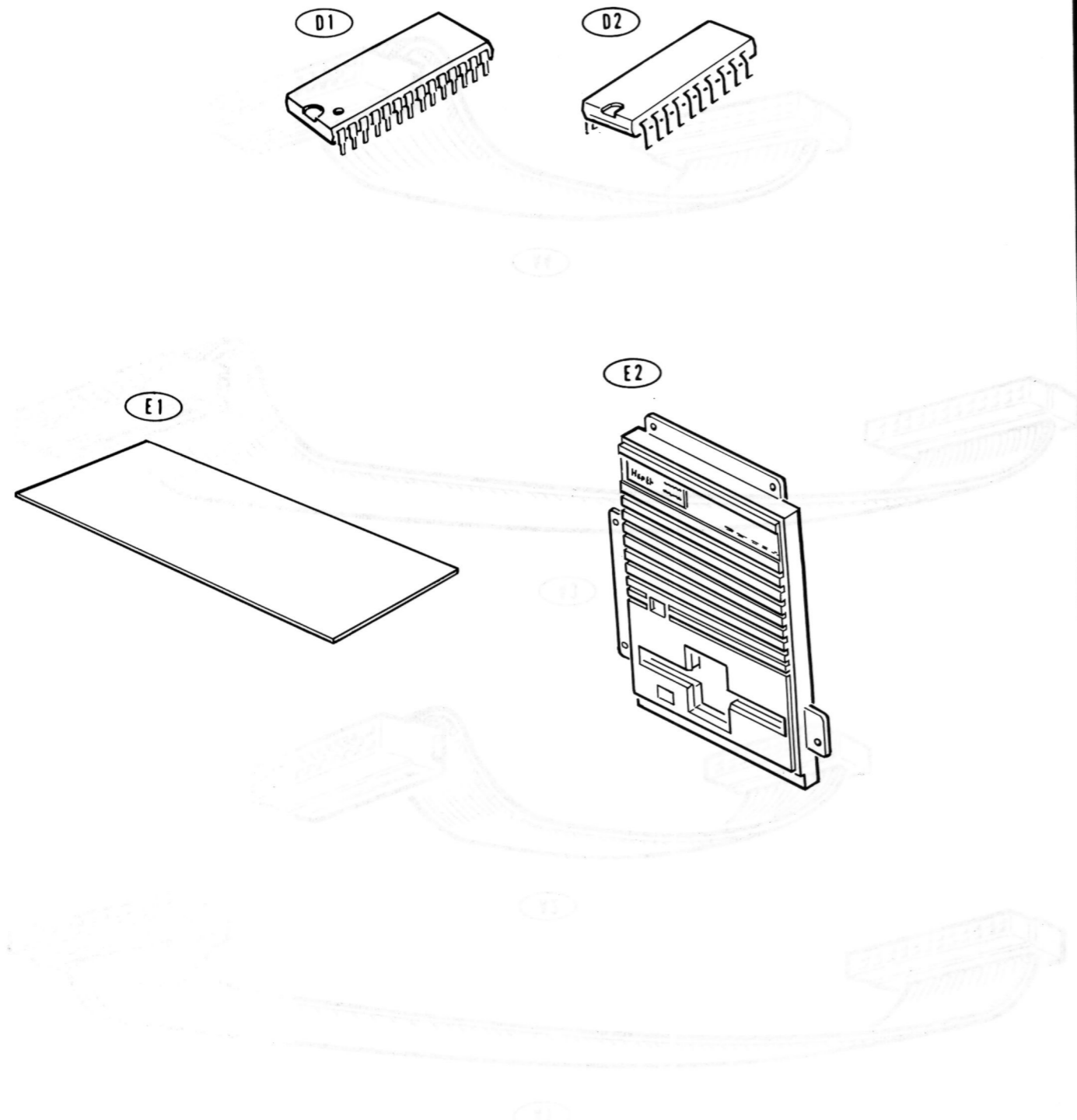


Part of 585-43-01

Copyright © 1984  
Zenith Data Systems Corporation  
All Rights Reserved  
Printed in the United States of America

Model Z-217

# Parts Pictorial (Cont'd.)

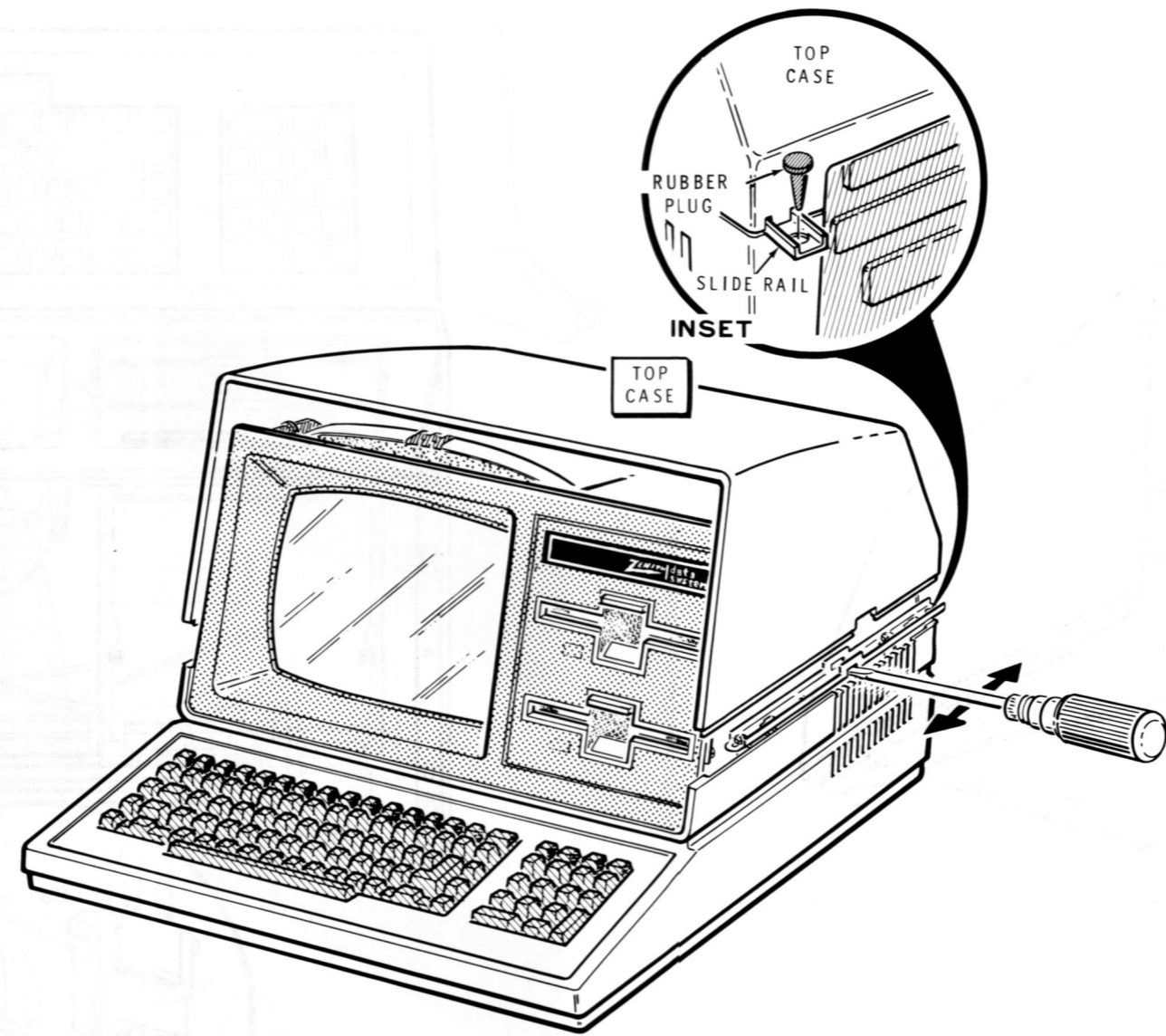


**WARNING**  
• DELICATE EQUIPMENT  
• HANDLE WITH CARE  
• DRIVE DAMAGE MAY OCCUR

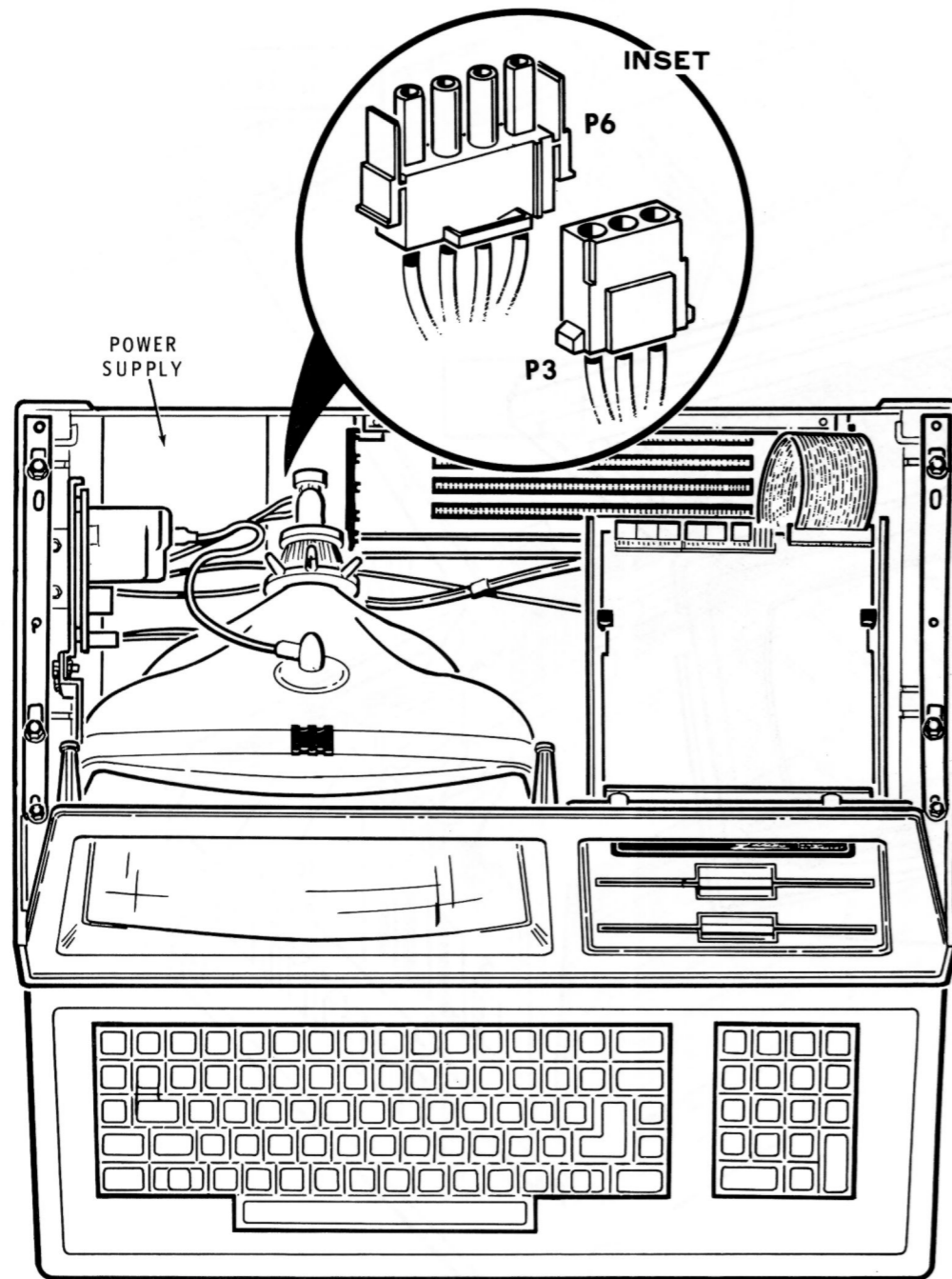
**AVERTISSEMENT**  
• APPAREIL FRAGILE  
• MANIPULER AVEC SOIN  
• L'UNITÉ DE DISQUE PEUT S'ABÎMER

390-2488

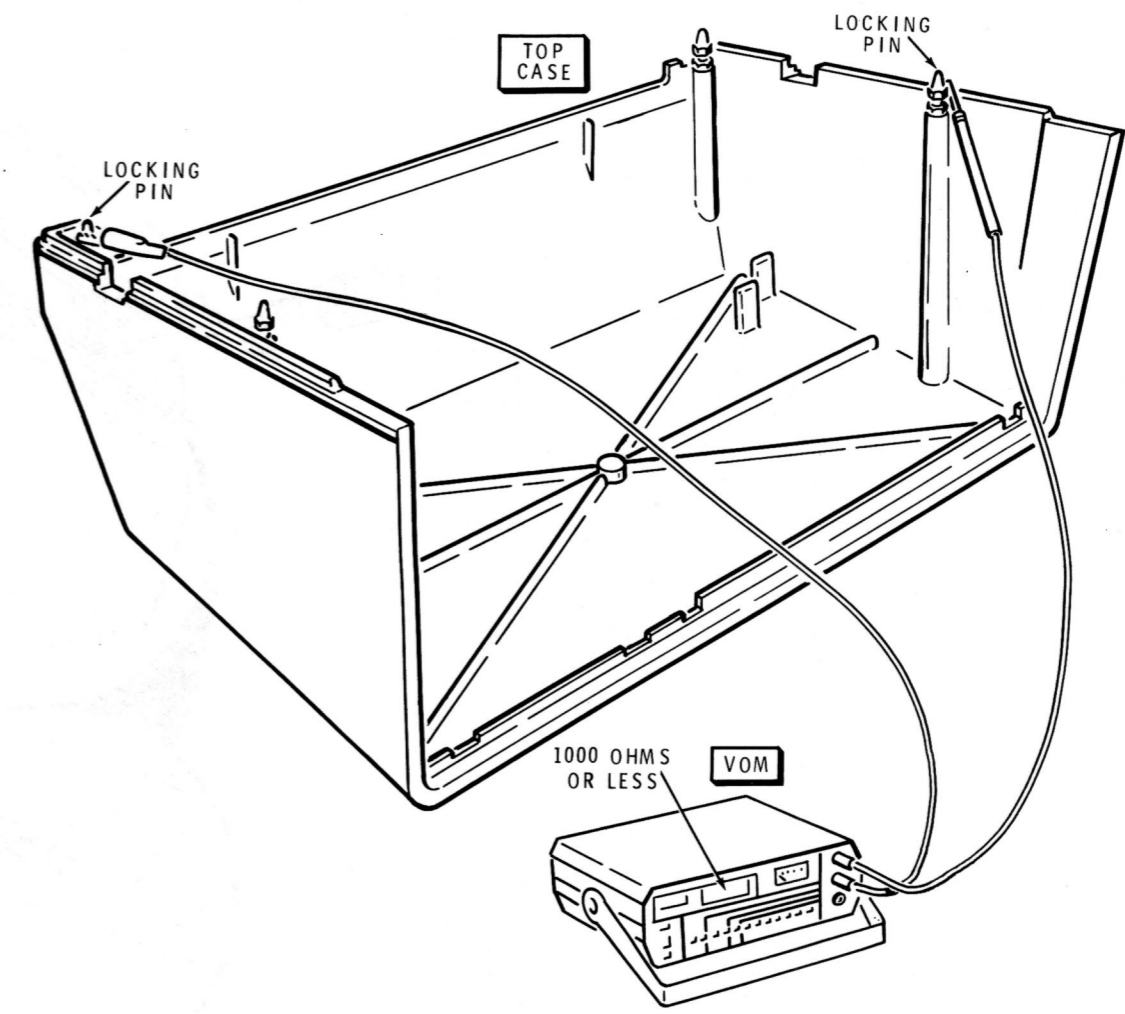
ILLUSTRATION BOOK



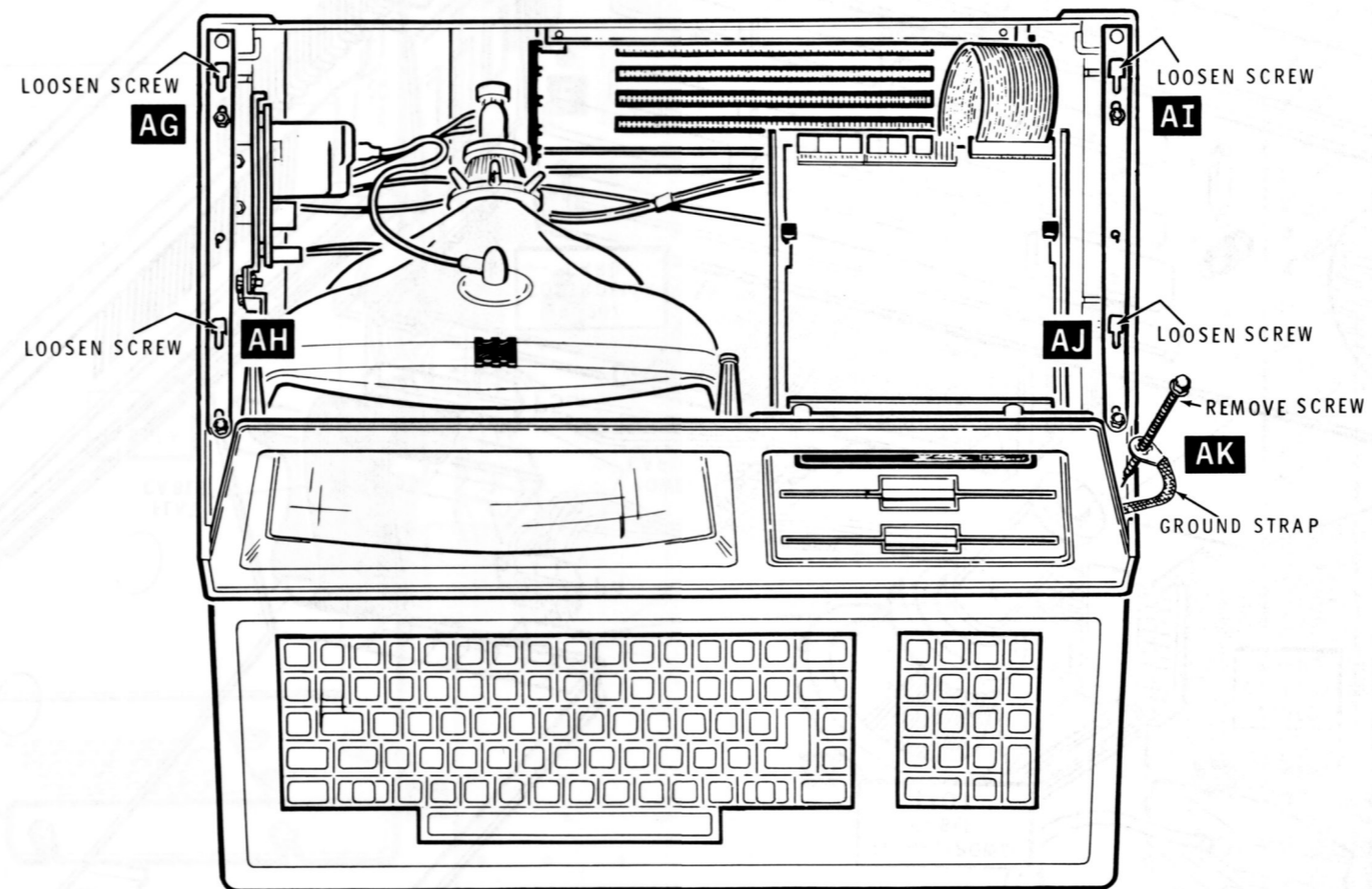
**PICTORIAL 4-1**  
Top case removal



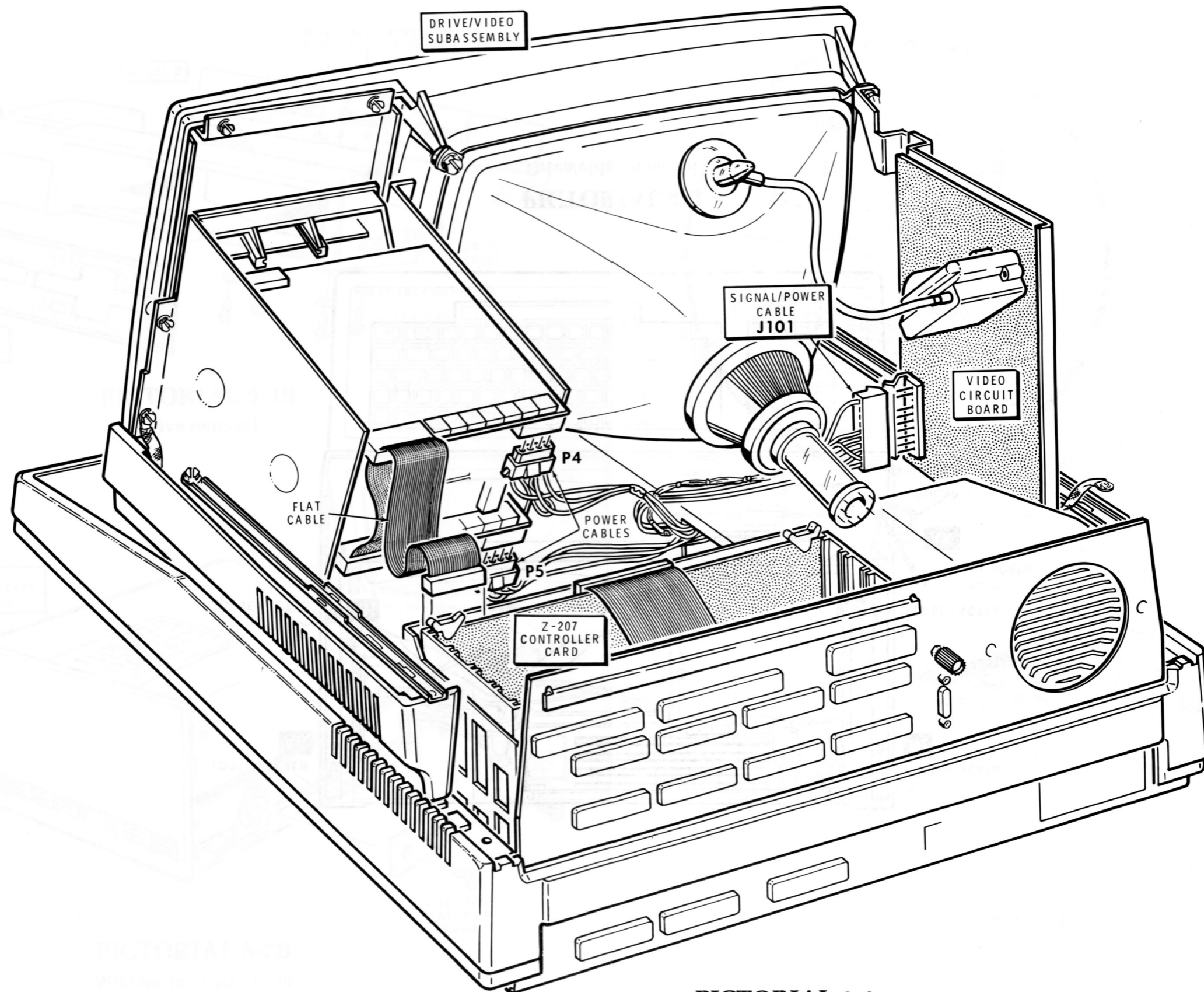
**PICTORIAL 4-2**  
Power supply connector



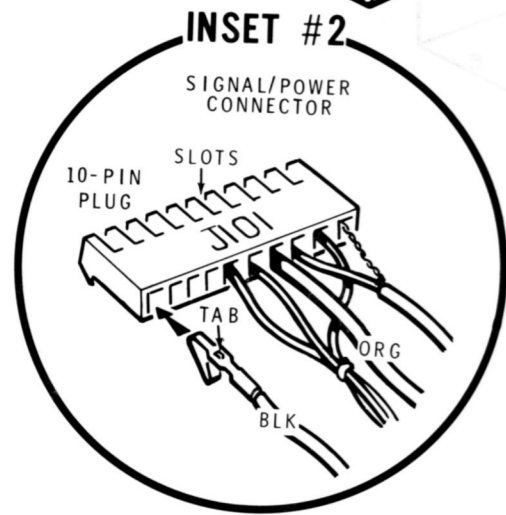
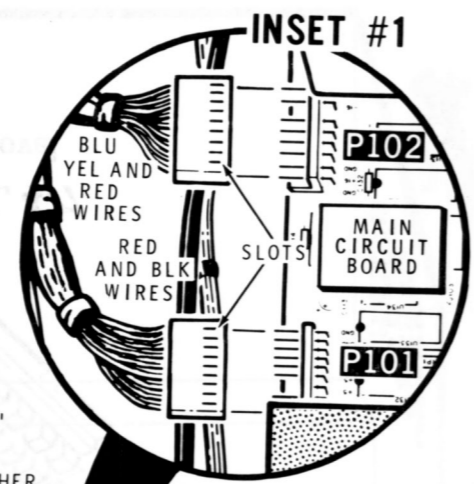
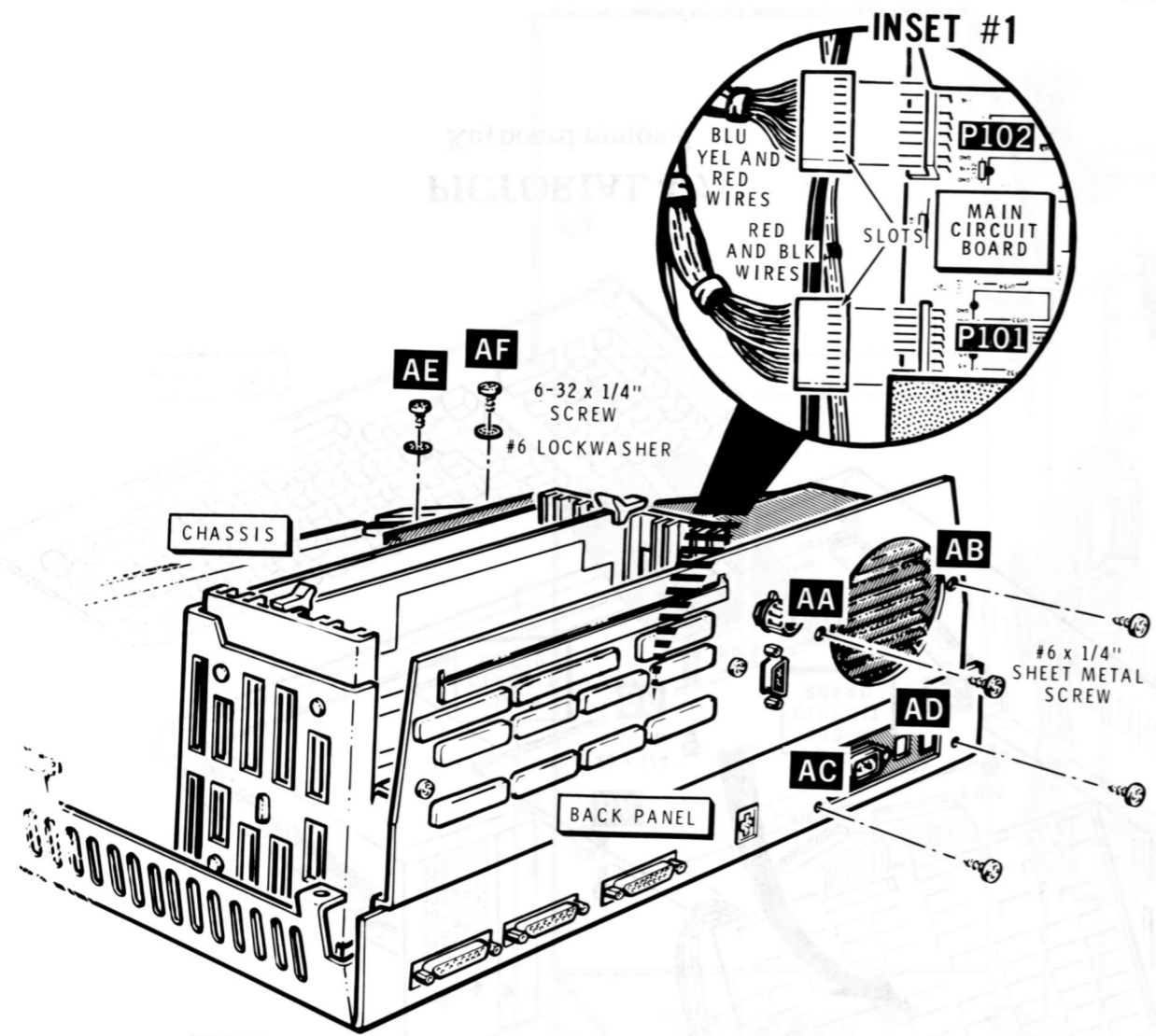
**Detail 4-2B**  
Case resistance



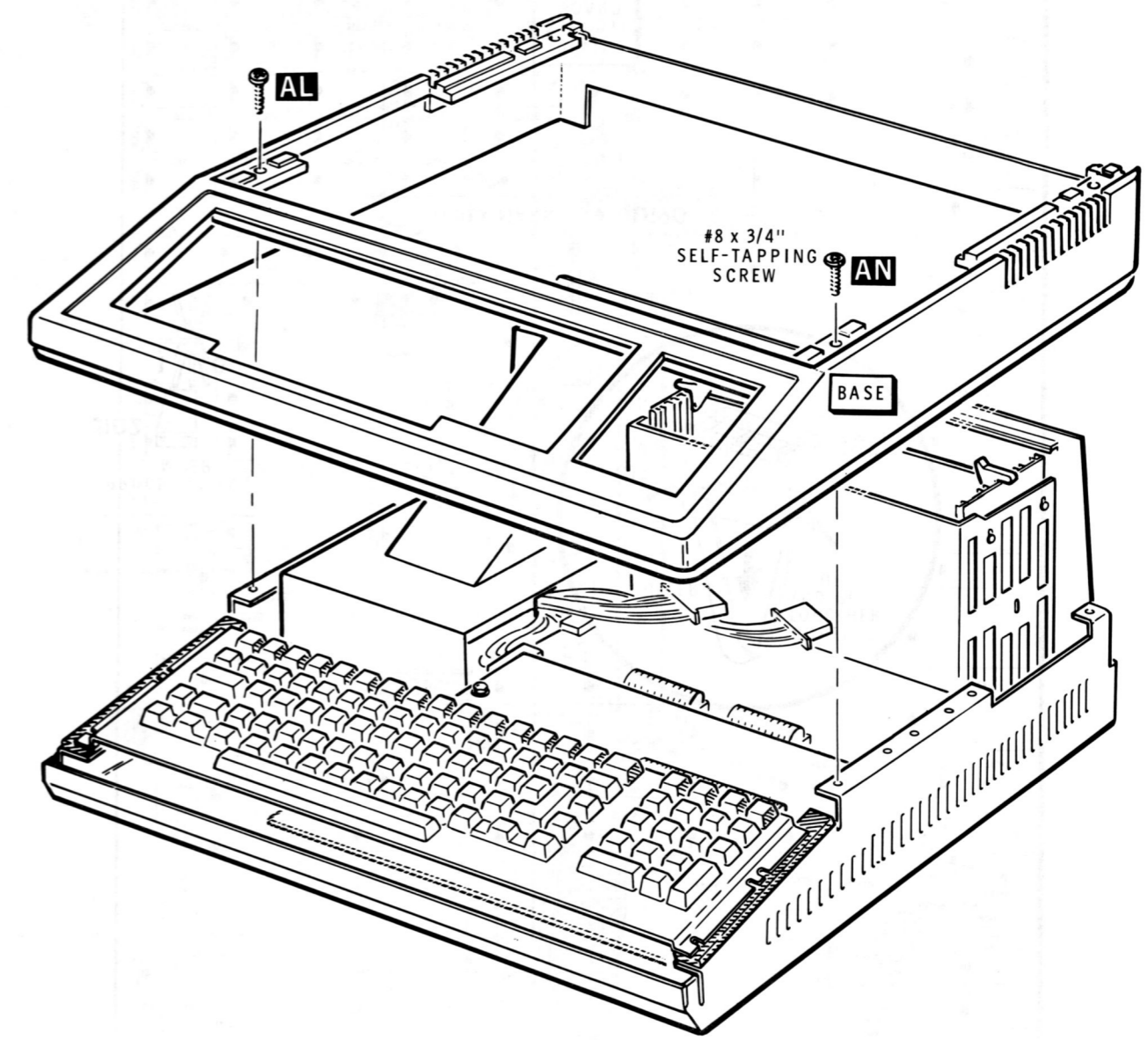
**PICTORIAL 4-3**  
Drive/video removal



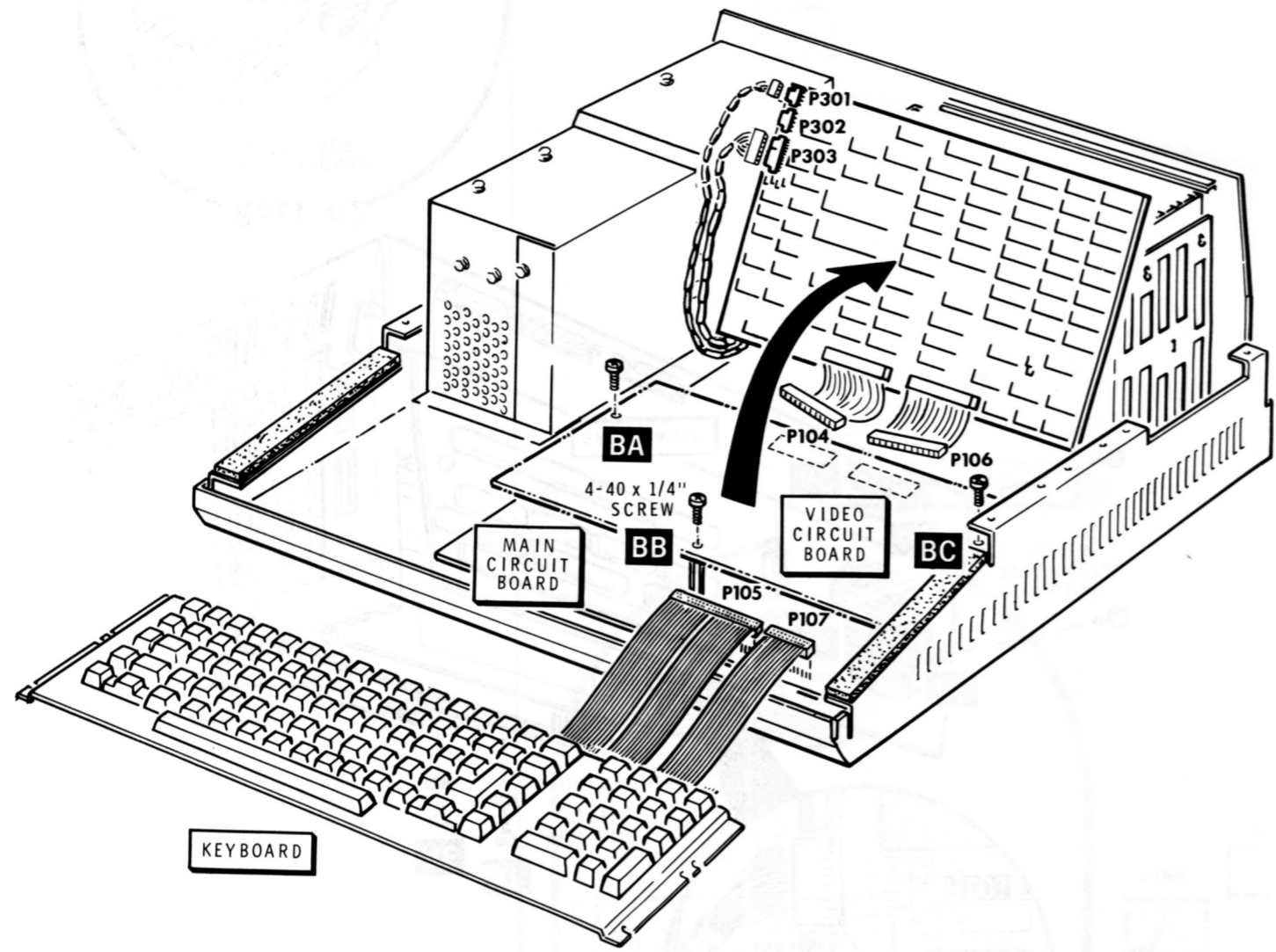
**PICTORIAL 4-4**  
Drive/video subassembly removal



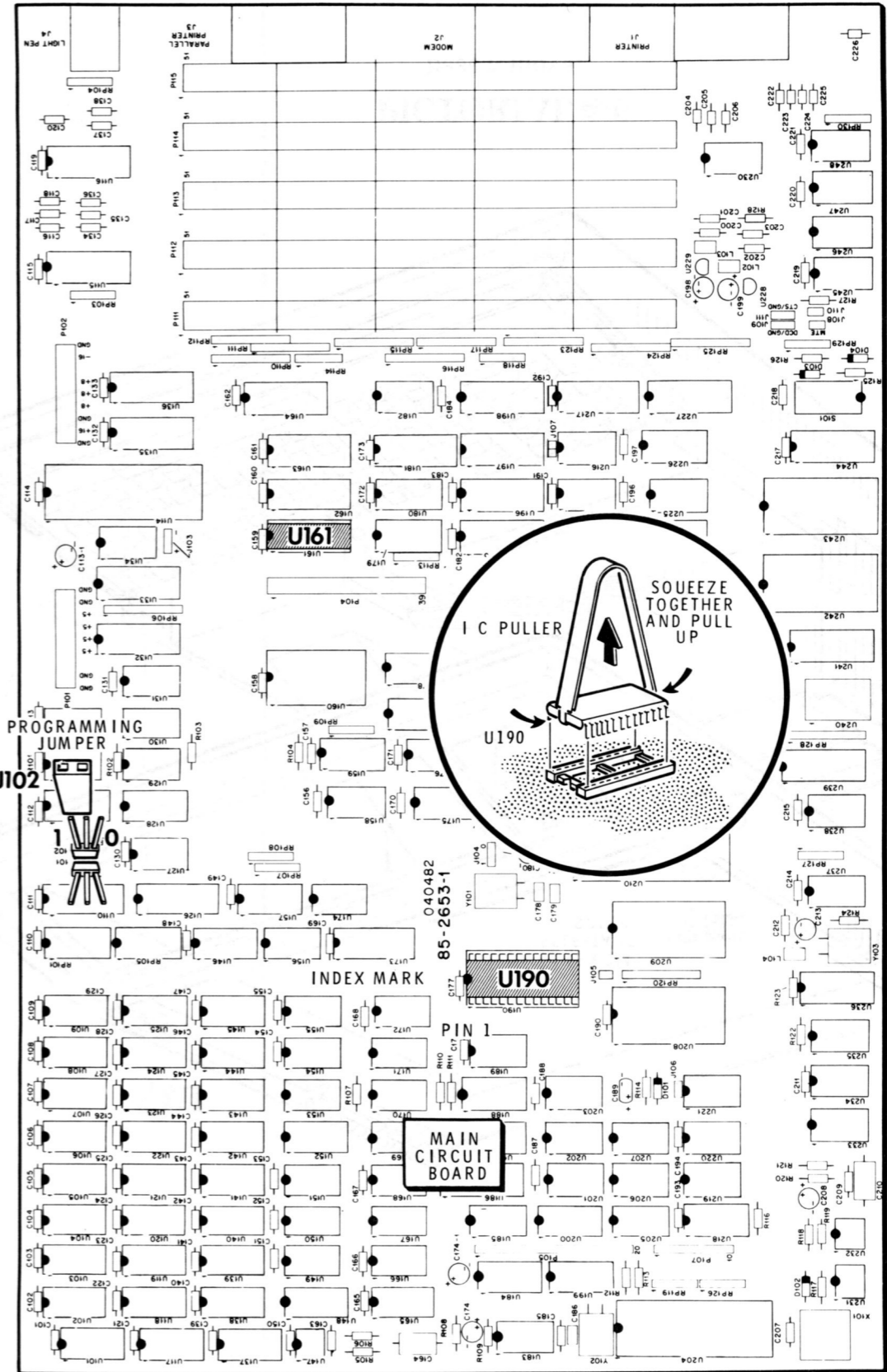
**PICTORIAL 4-5**  
Power supply removal



**PICTORIAL 4-6**  
Base removal

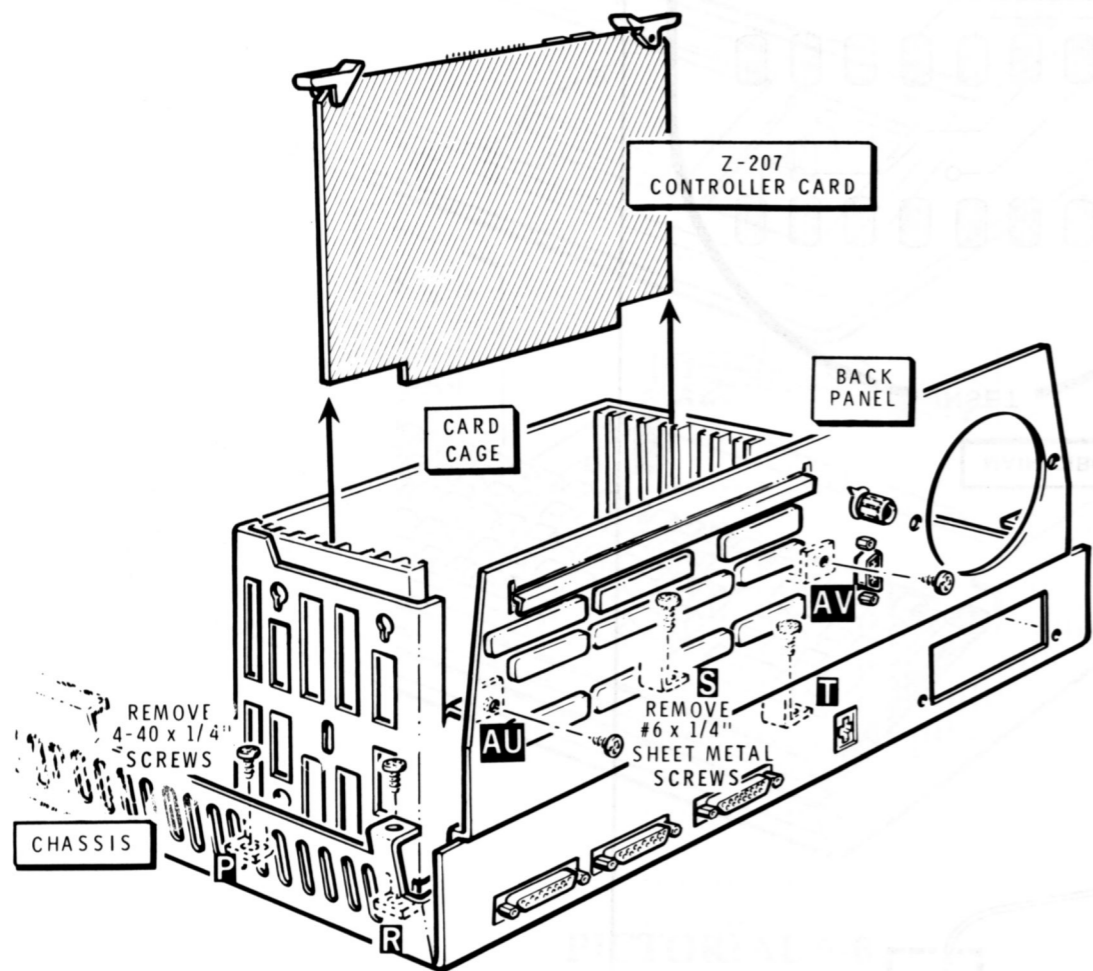


PICTORIAL 4-7  
Keyboard removal

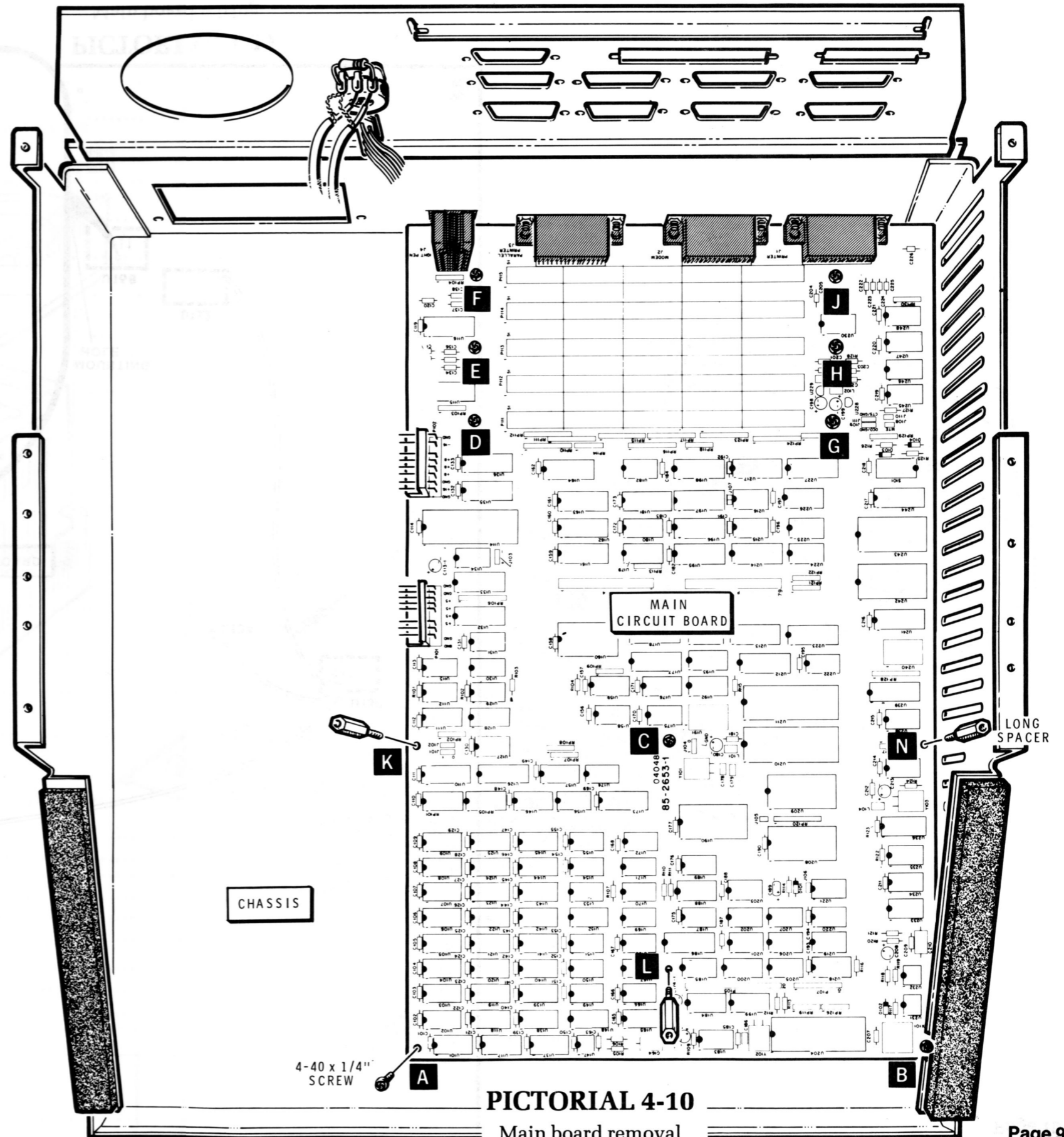


PICTORIAL 4-8  
I.C. locations

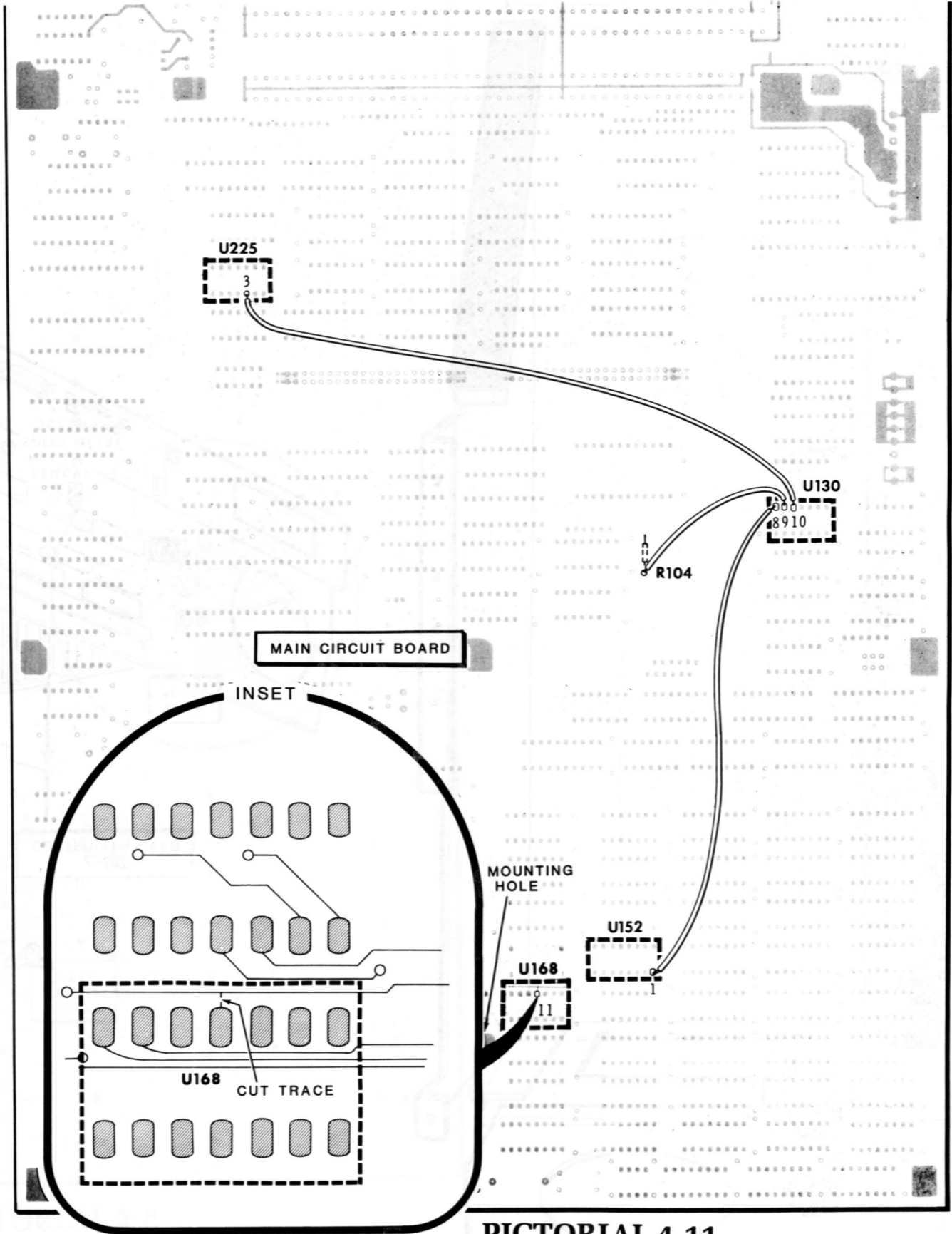




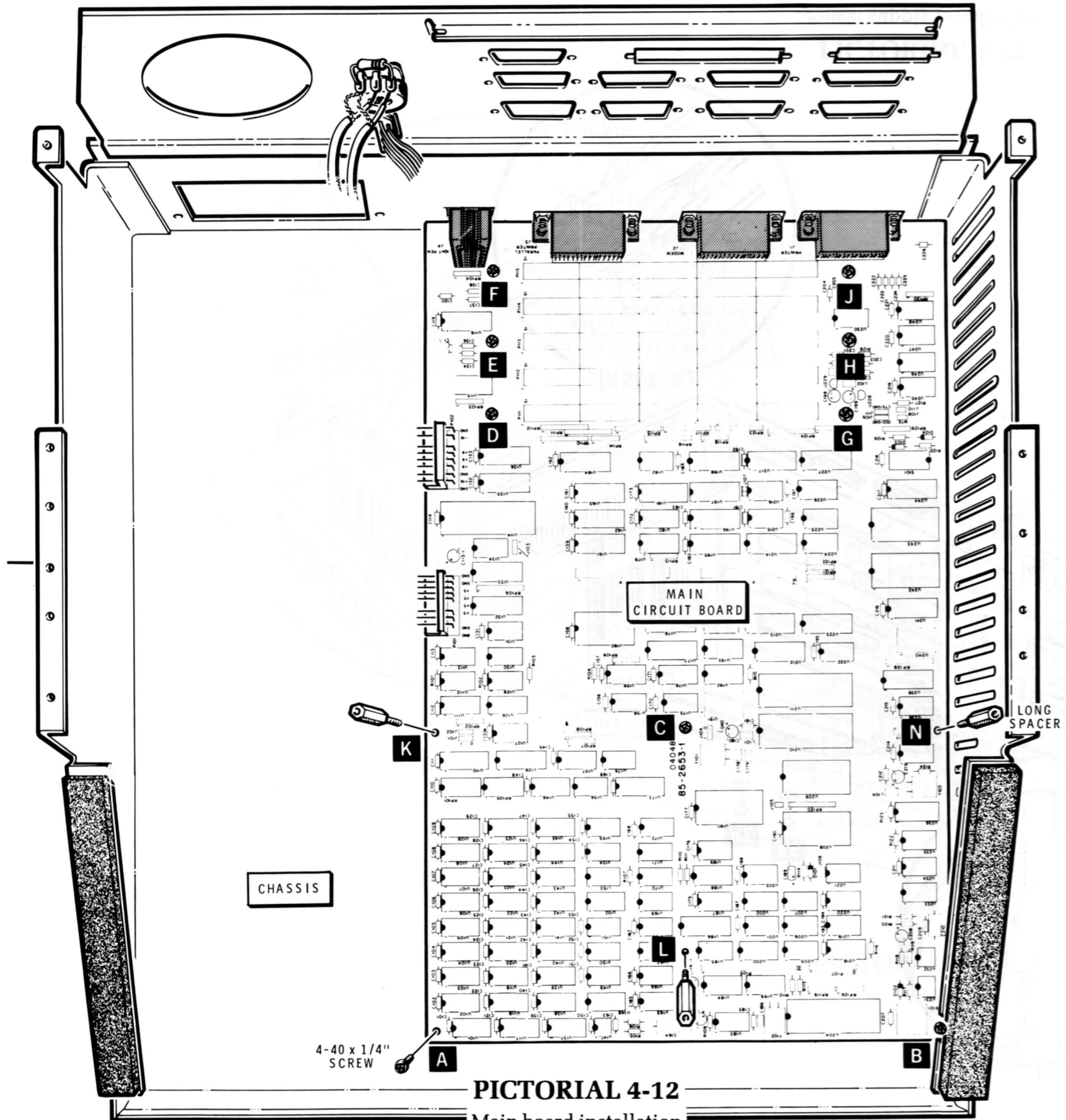
**PICTORIAL 4-9**  
Controller card removal



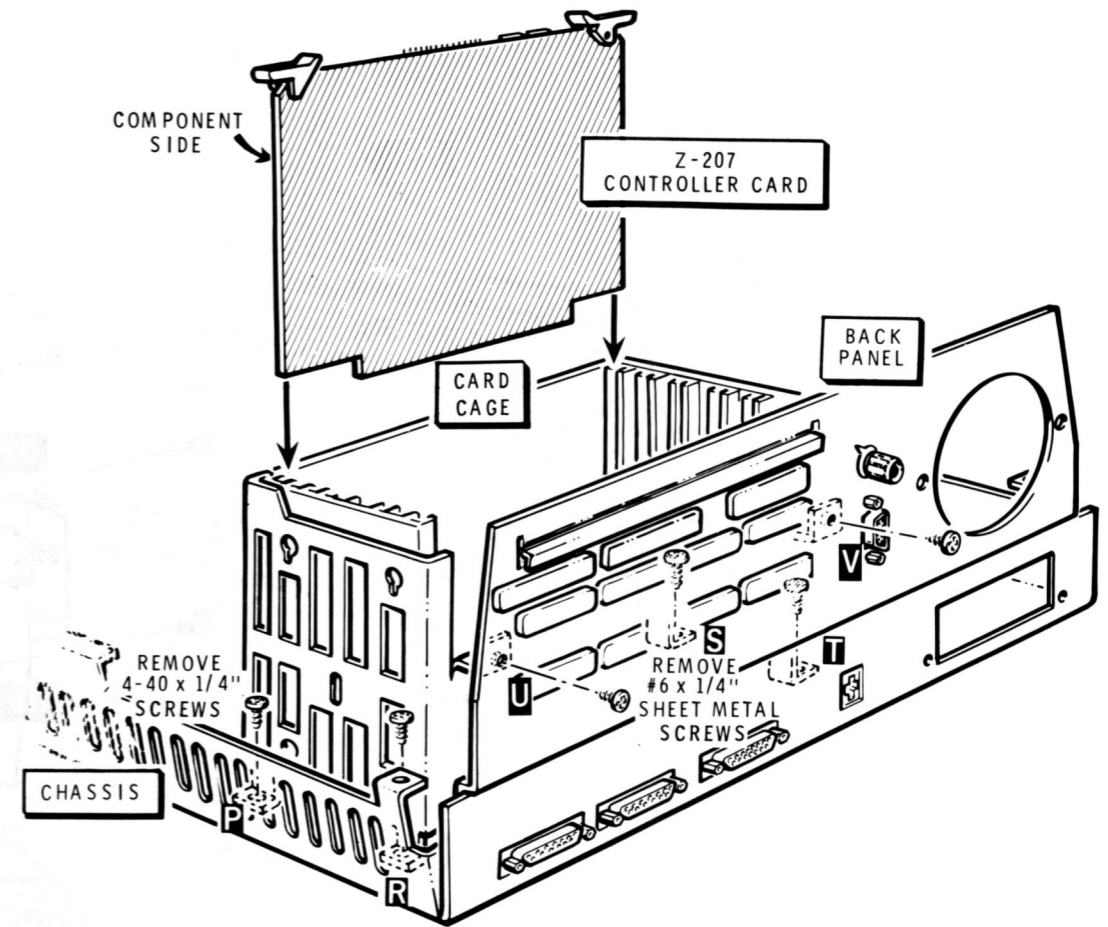
**PICTORIAL 4-10**  
Main board removal



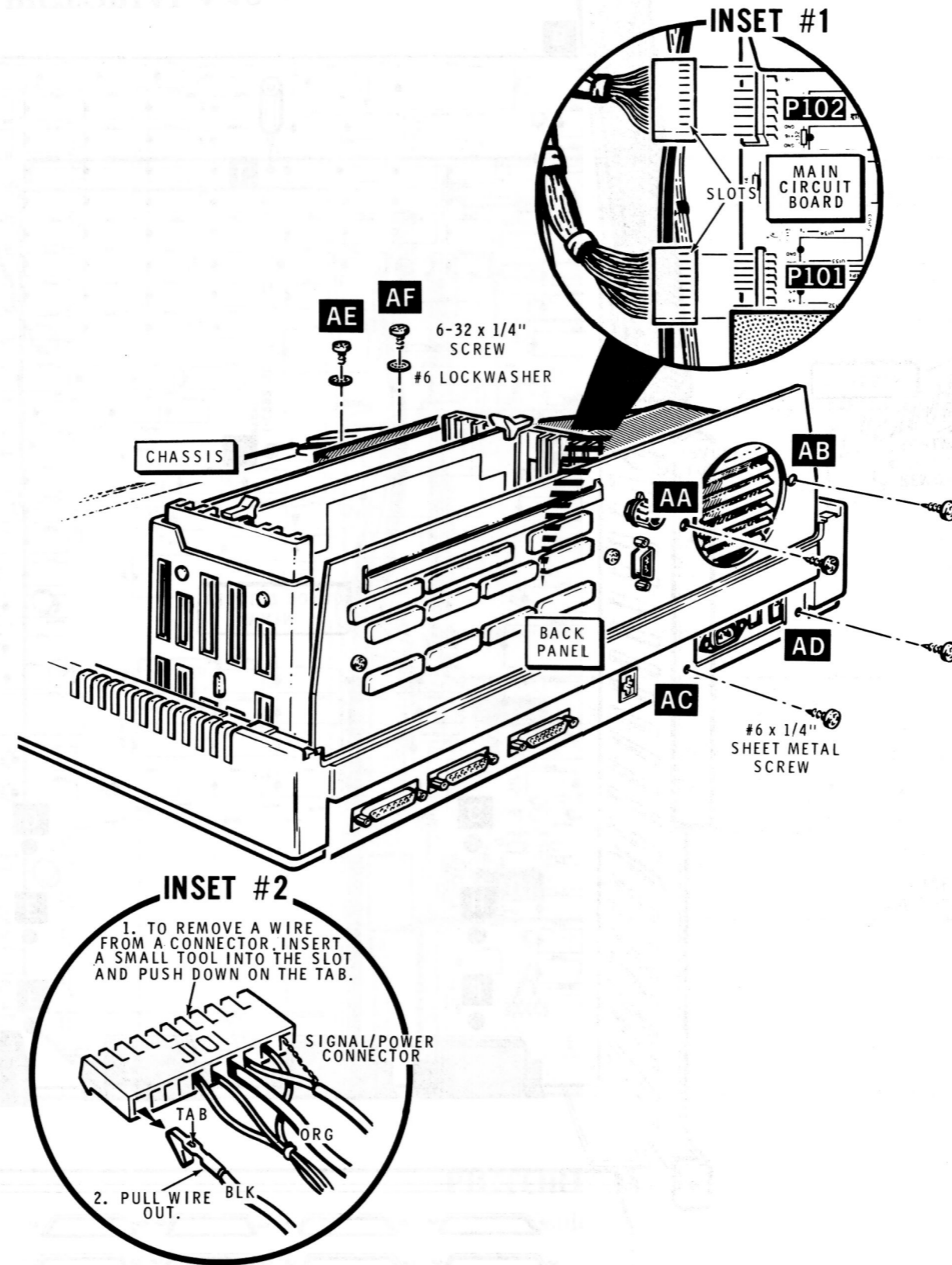
**PICTORIAL 4-11**  
Main board wiring



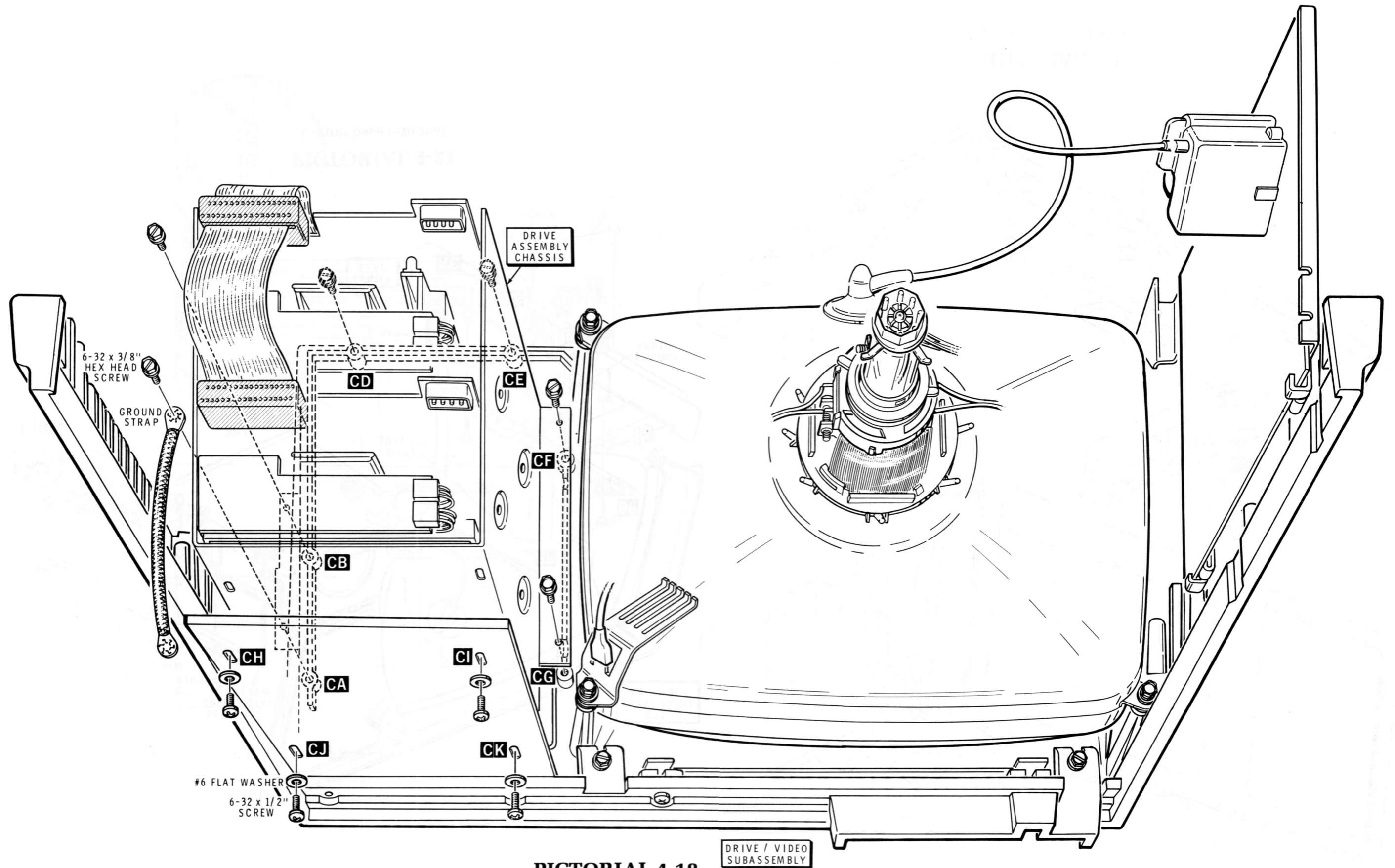
**PICTORIAL 4-12**  
Main board installation



**PICTORIAL 4-13**  
Controller card installation

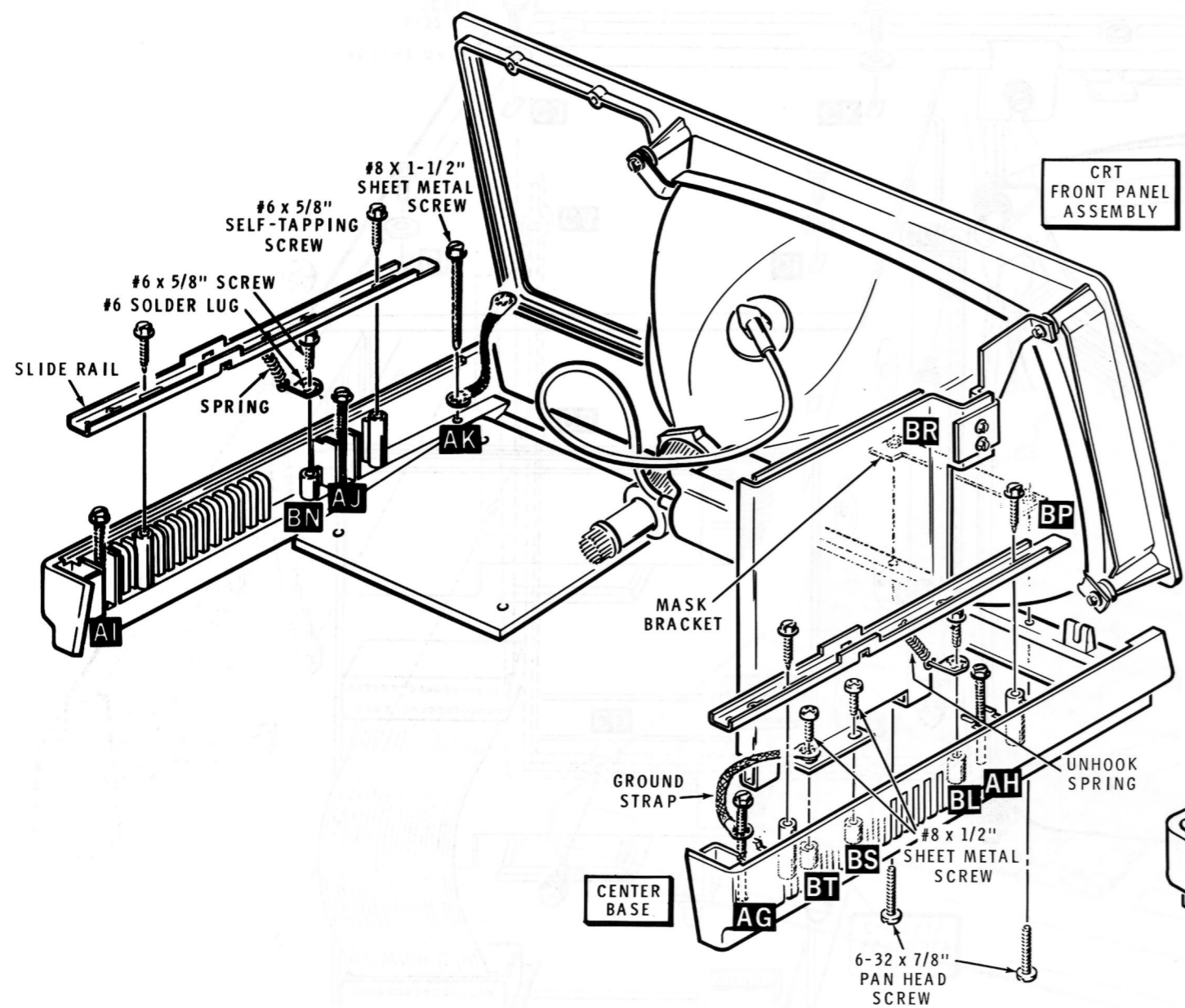


**PICTORIAL 4-17**  
Power supply installation

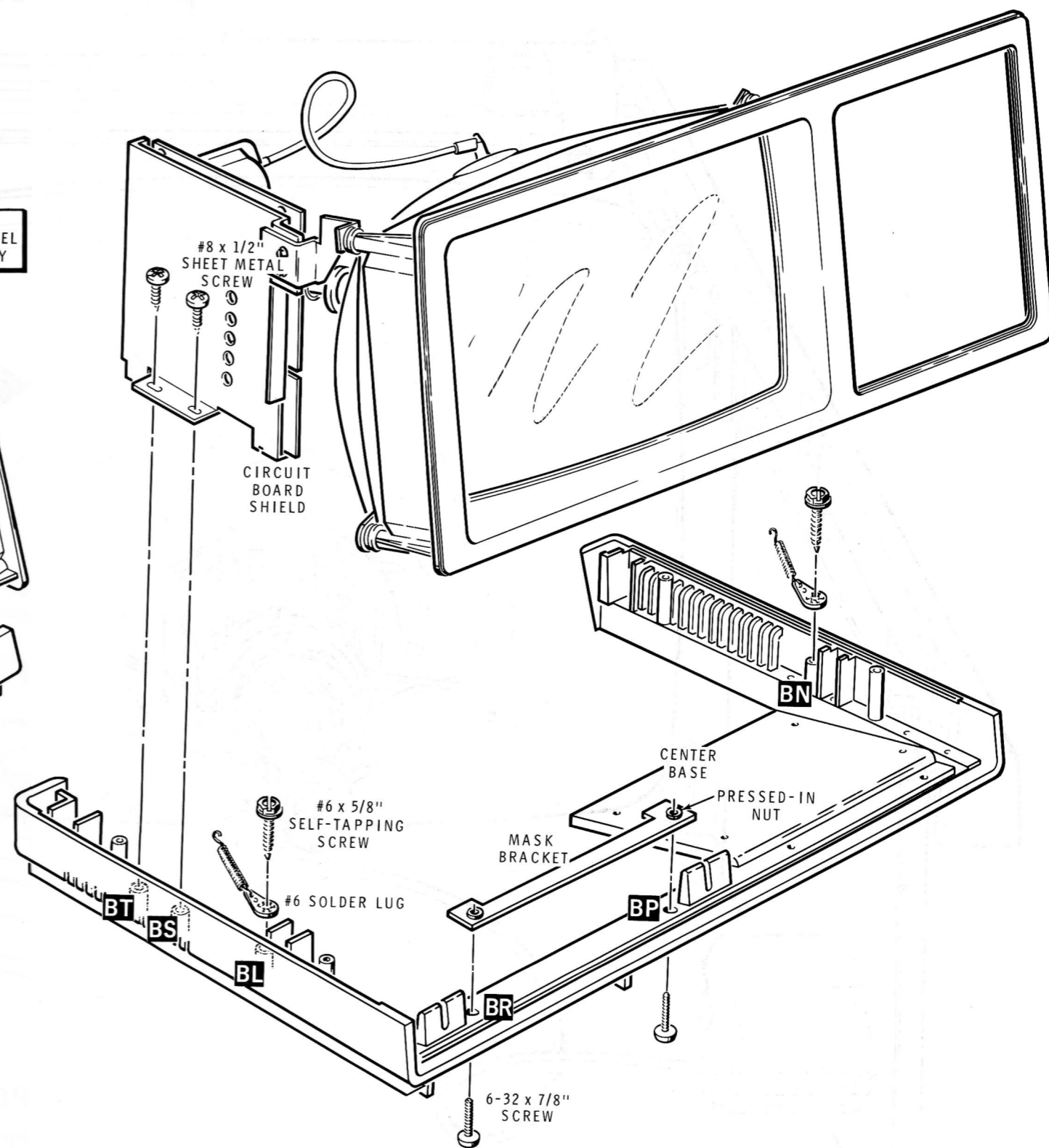


**PICTORIAL 4-18**  
Disk drive installation

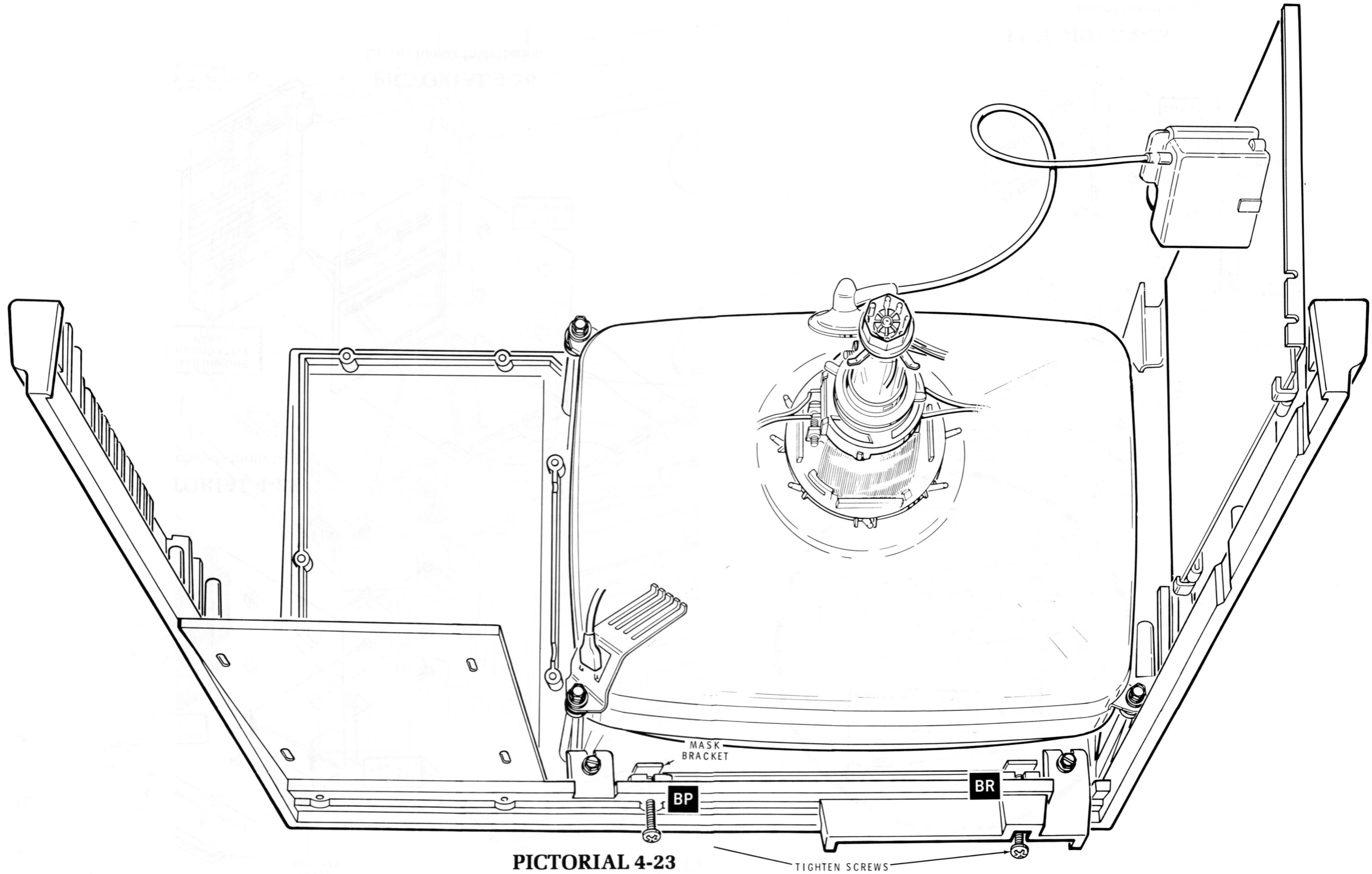
DRIVE / VIDEO  
SUBASSEMBLY



**PICTORIAL 4-21**  
Center base removal

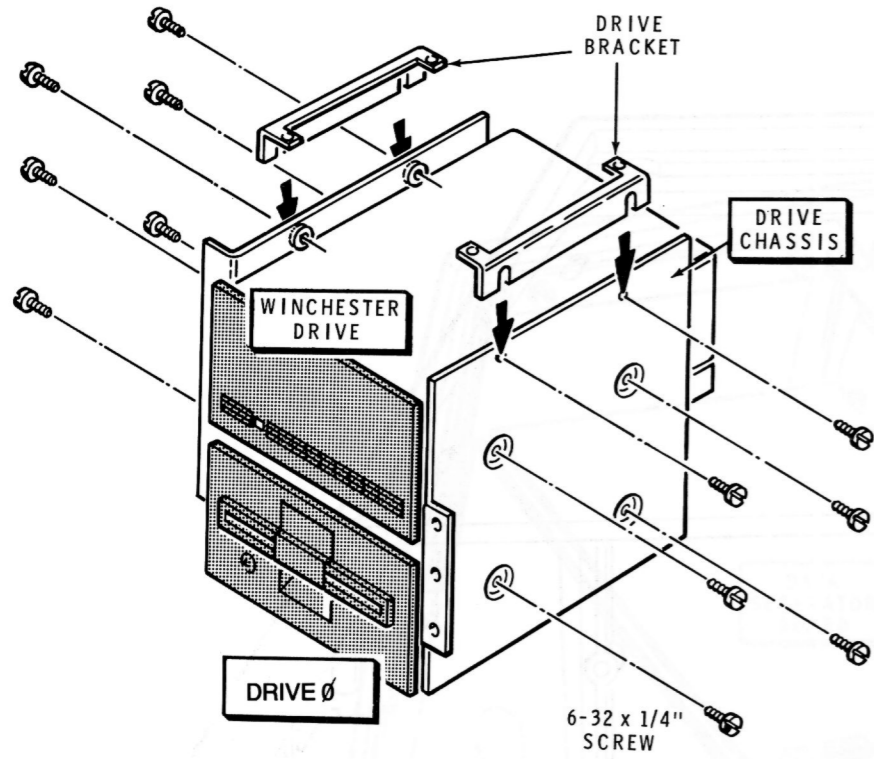


**PICTORIAL 4-22**  
Center base installation

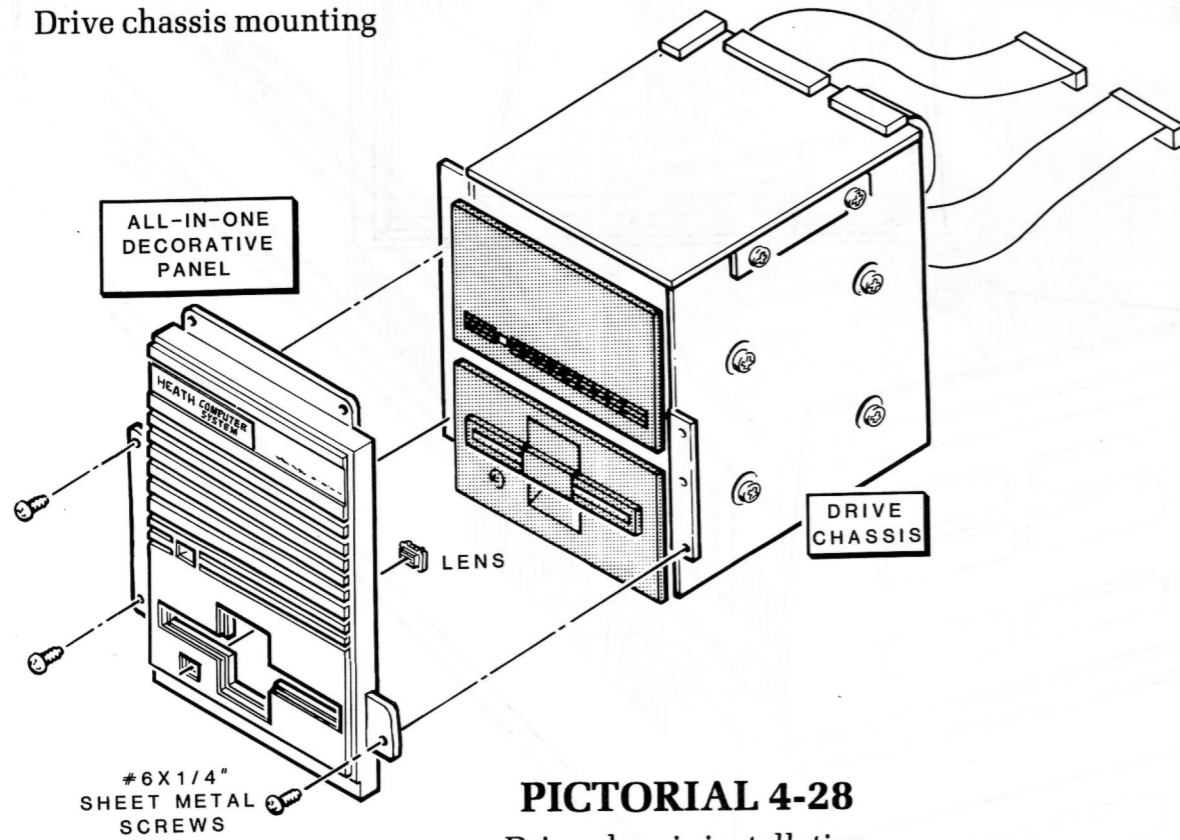


**PICTORIAL 4-23**  
Mask bracket installation

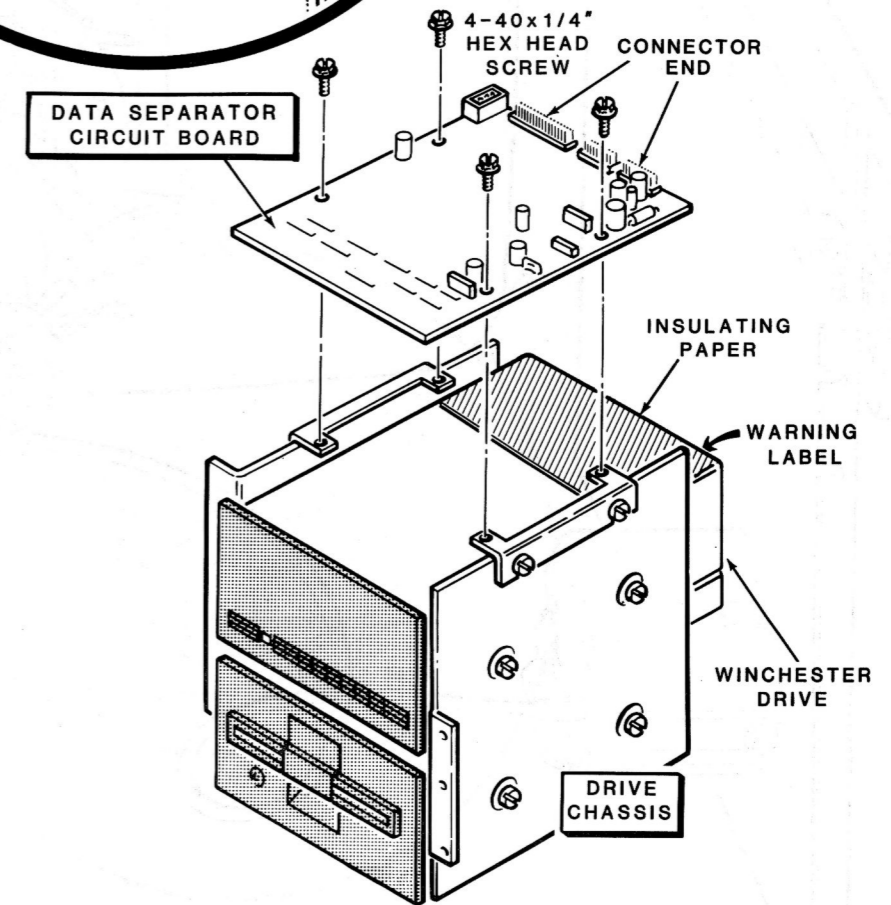
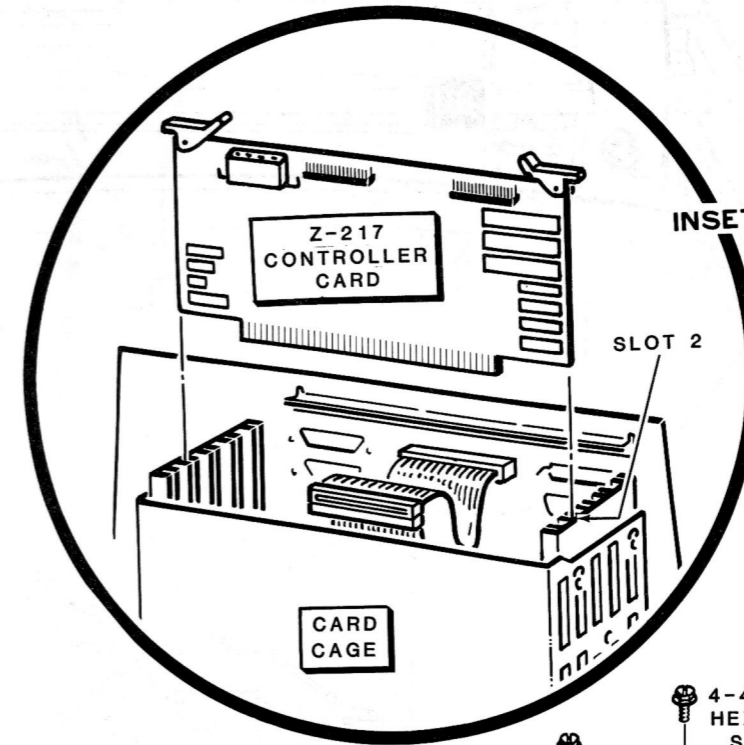
TIGHTEN SCREWS



**PICTORIAL 4-25**  
Drive chassis mounting

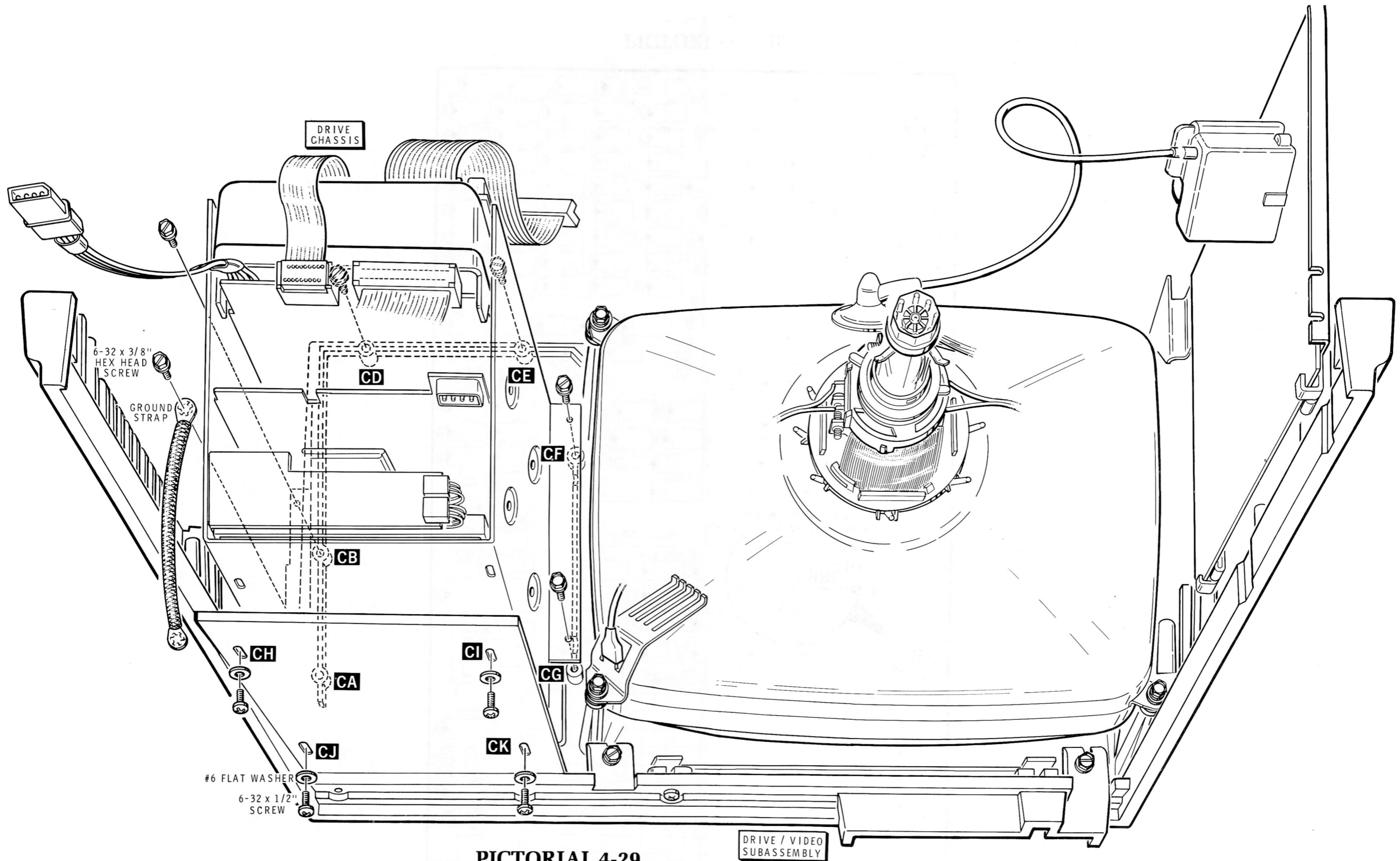


**PICTORIAL 4-28**  
Drive chassis installation

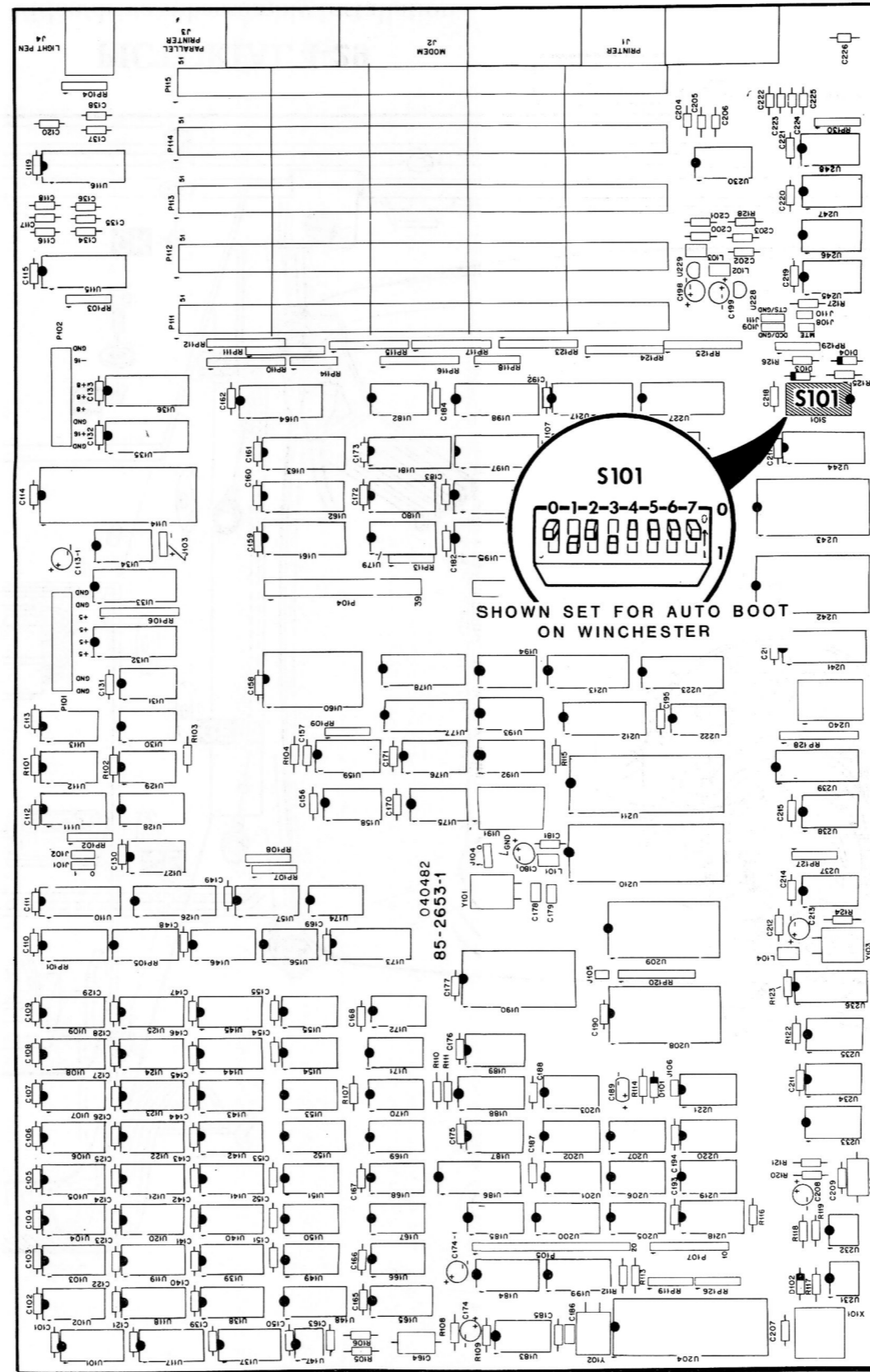


**PICTORIAL 4-26**  
Data separator board installation



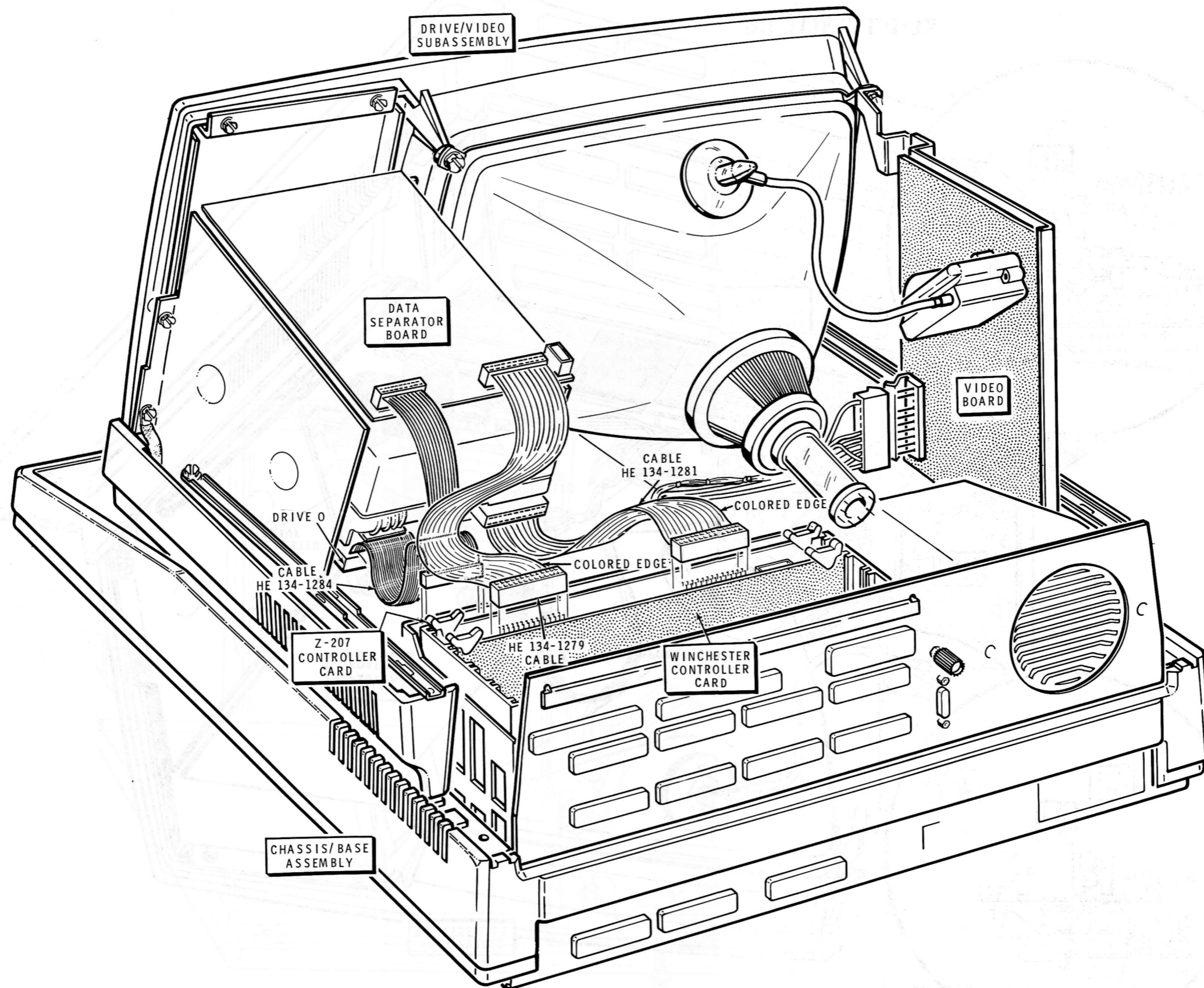


**PICTORIAL 4-29**  
Video/drive subassembly installation

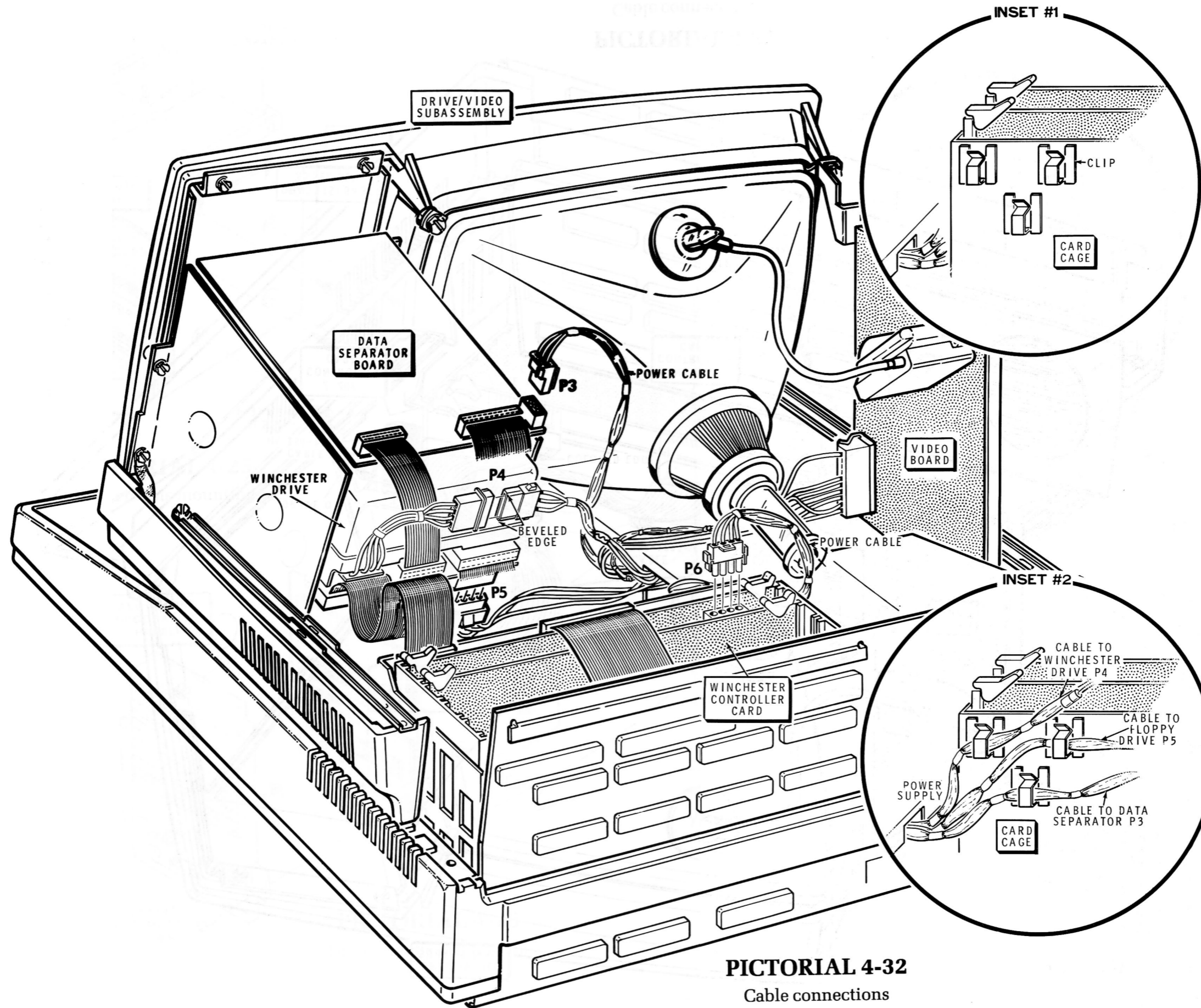


PICTORIAL 4-30

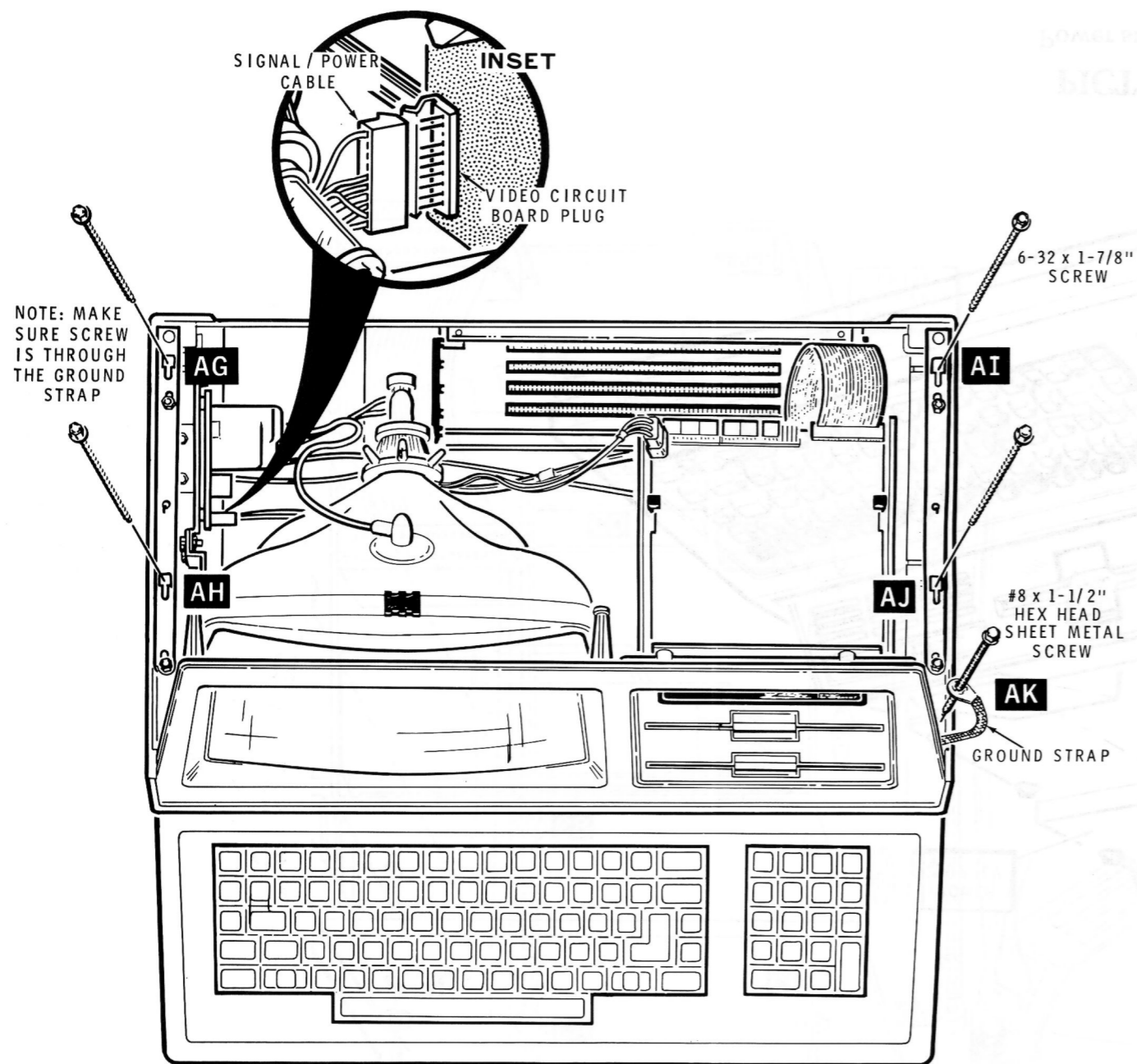
Switch S101



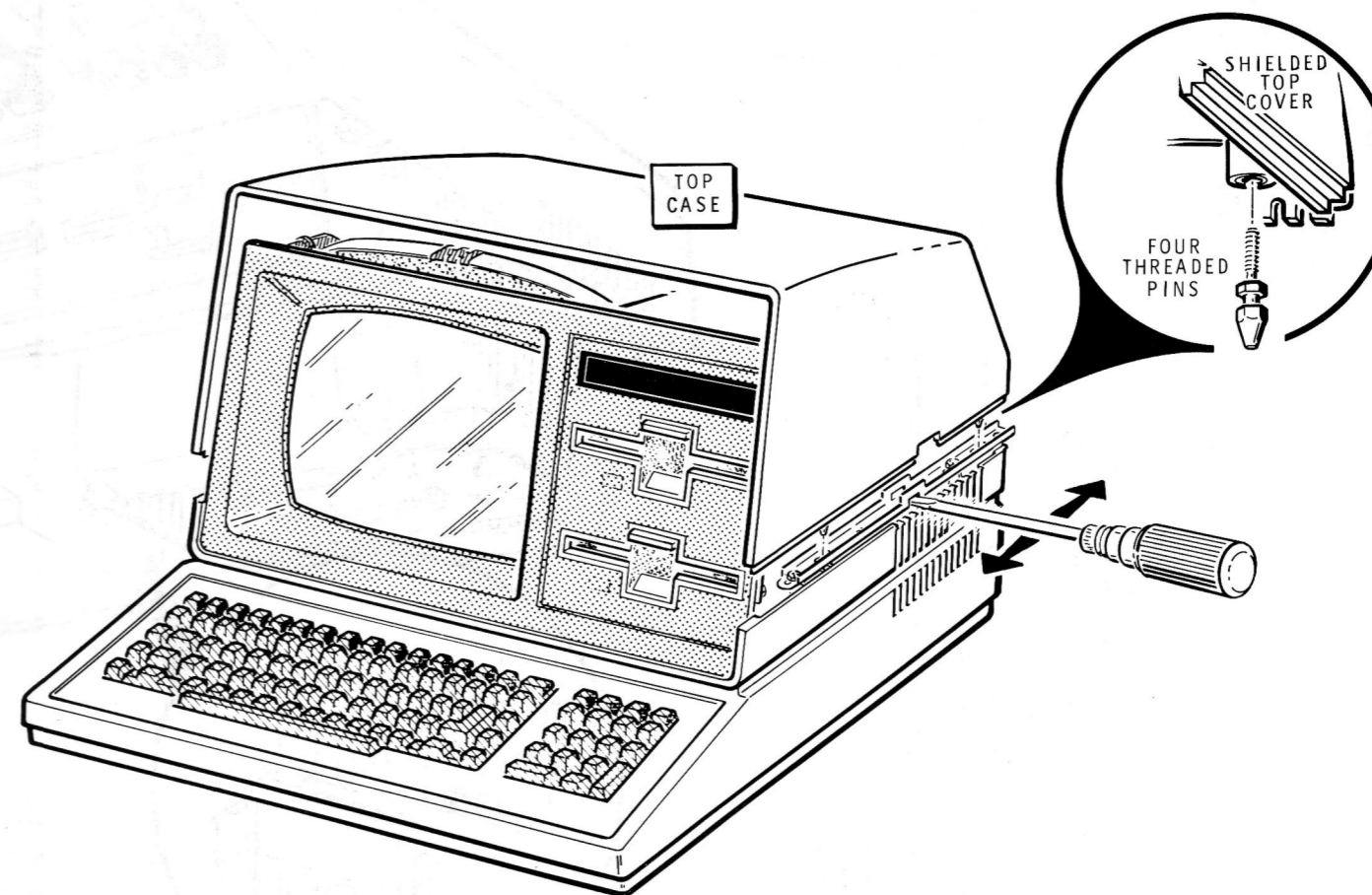
**PICTORIAL 4-31**  
Cable connections



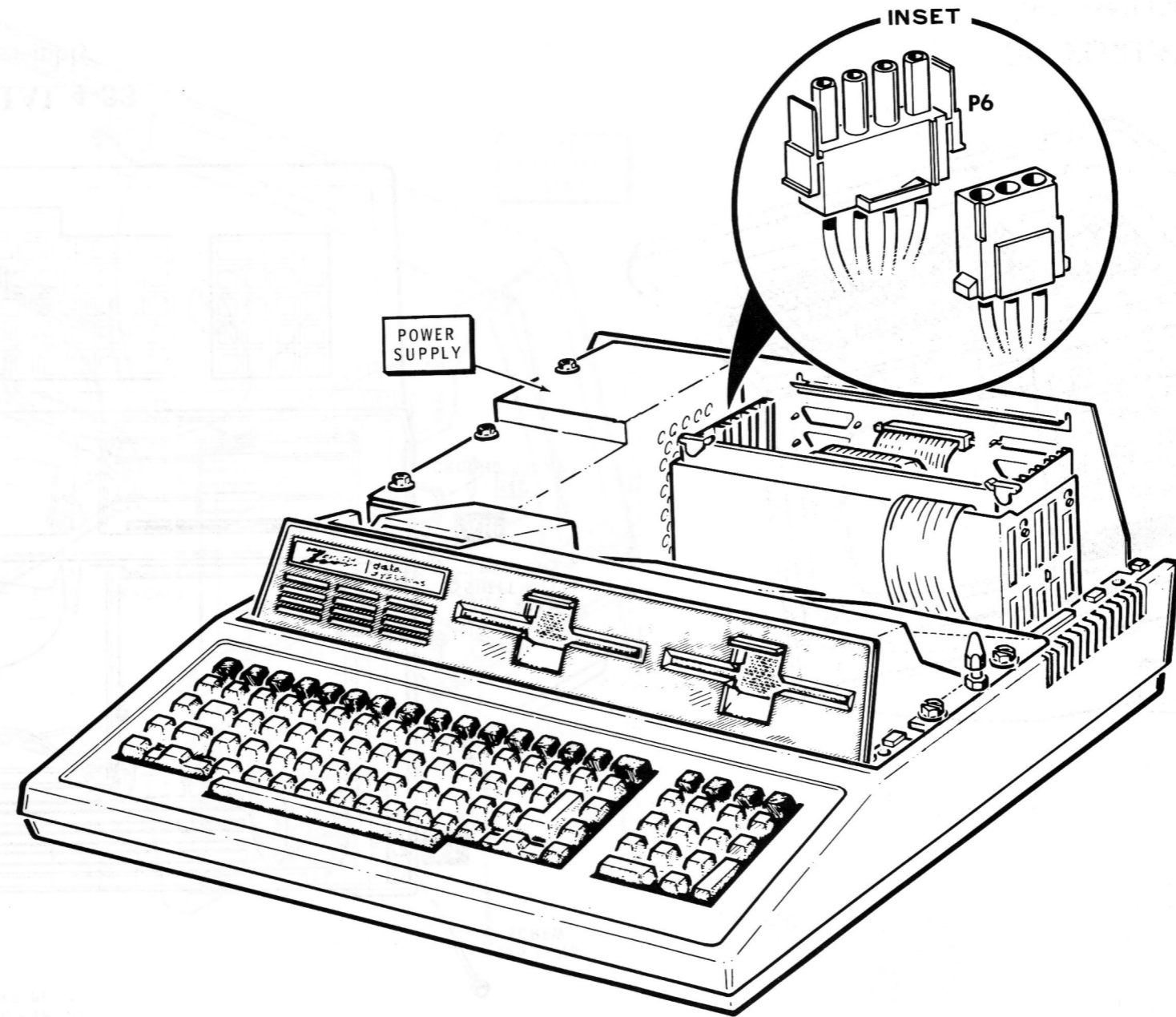
**PICTORIAL 4-32**  
Cable connections



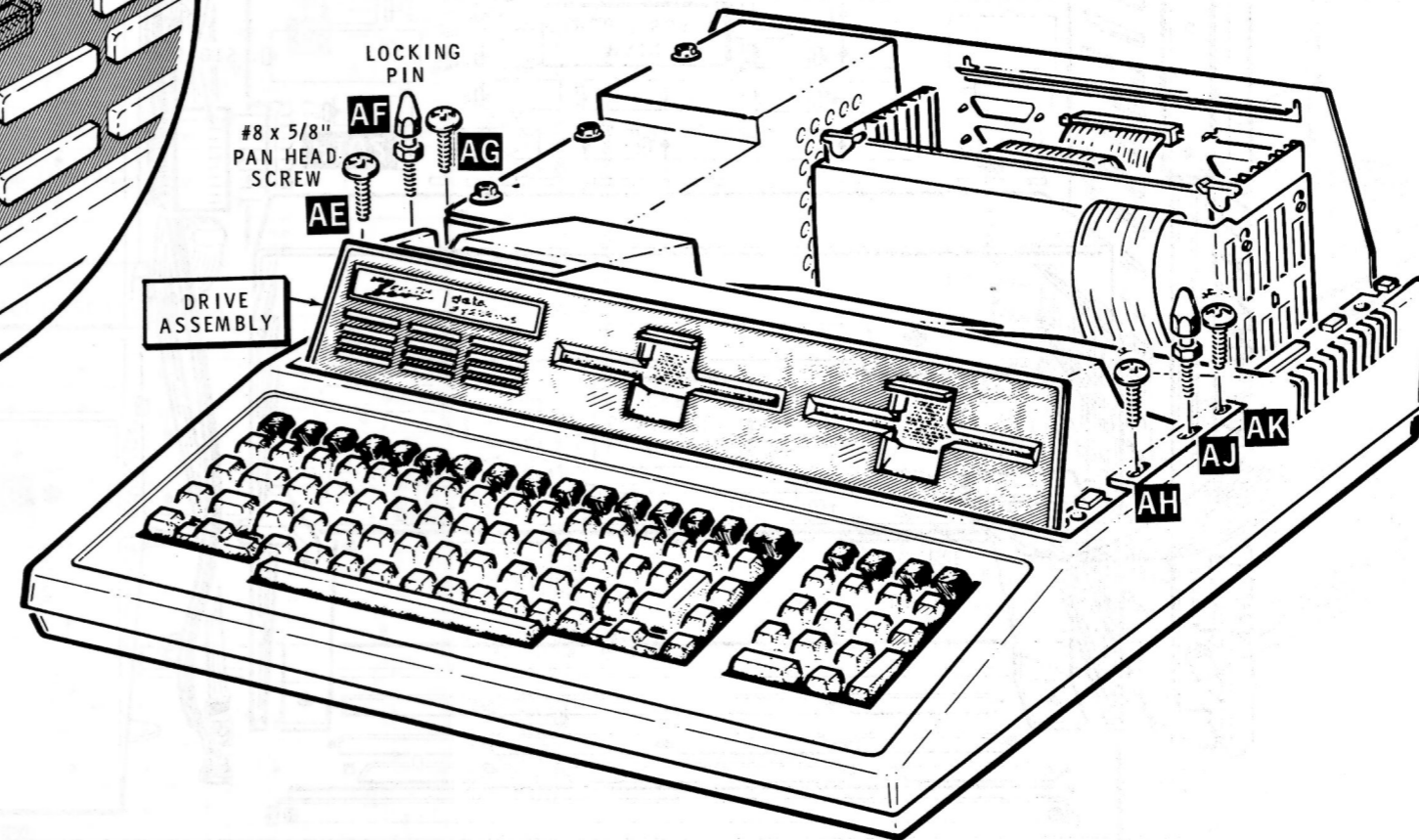
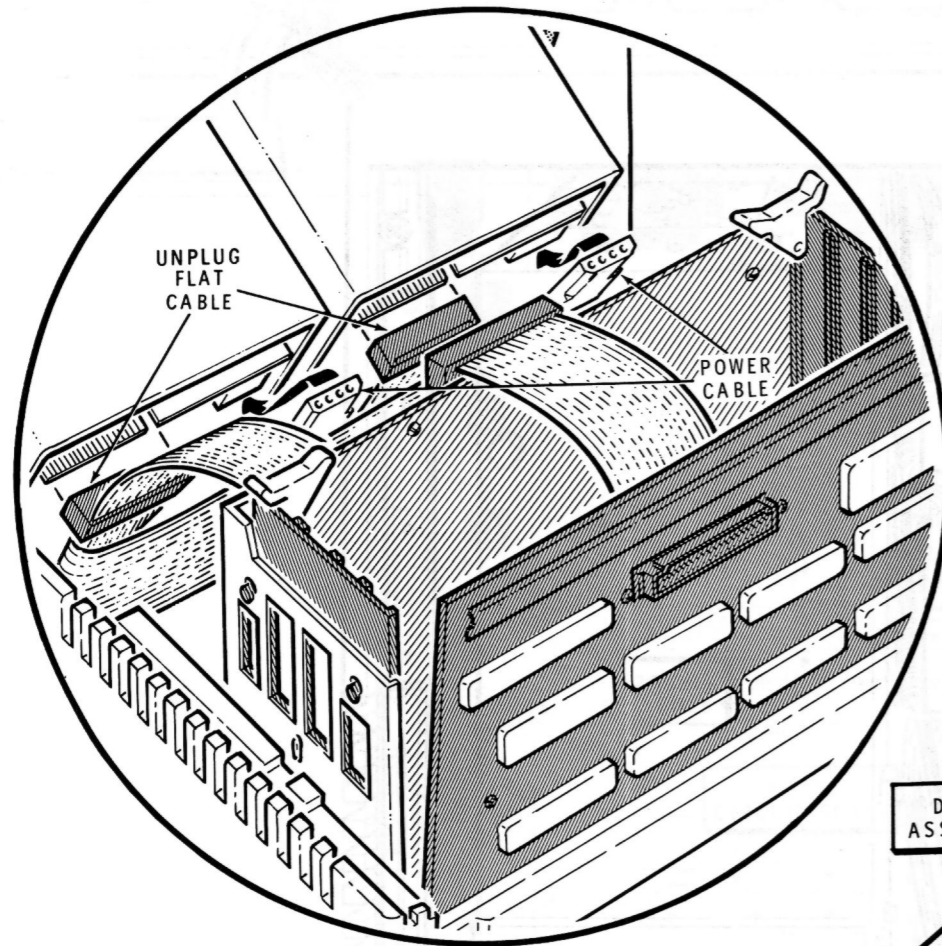
**PICTORIAL 4-33**  
Final assembly



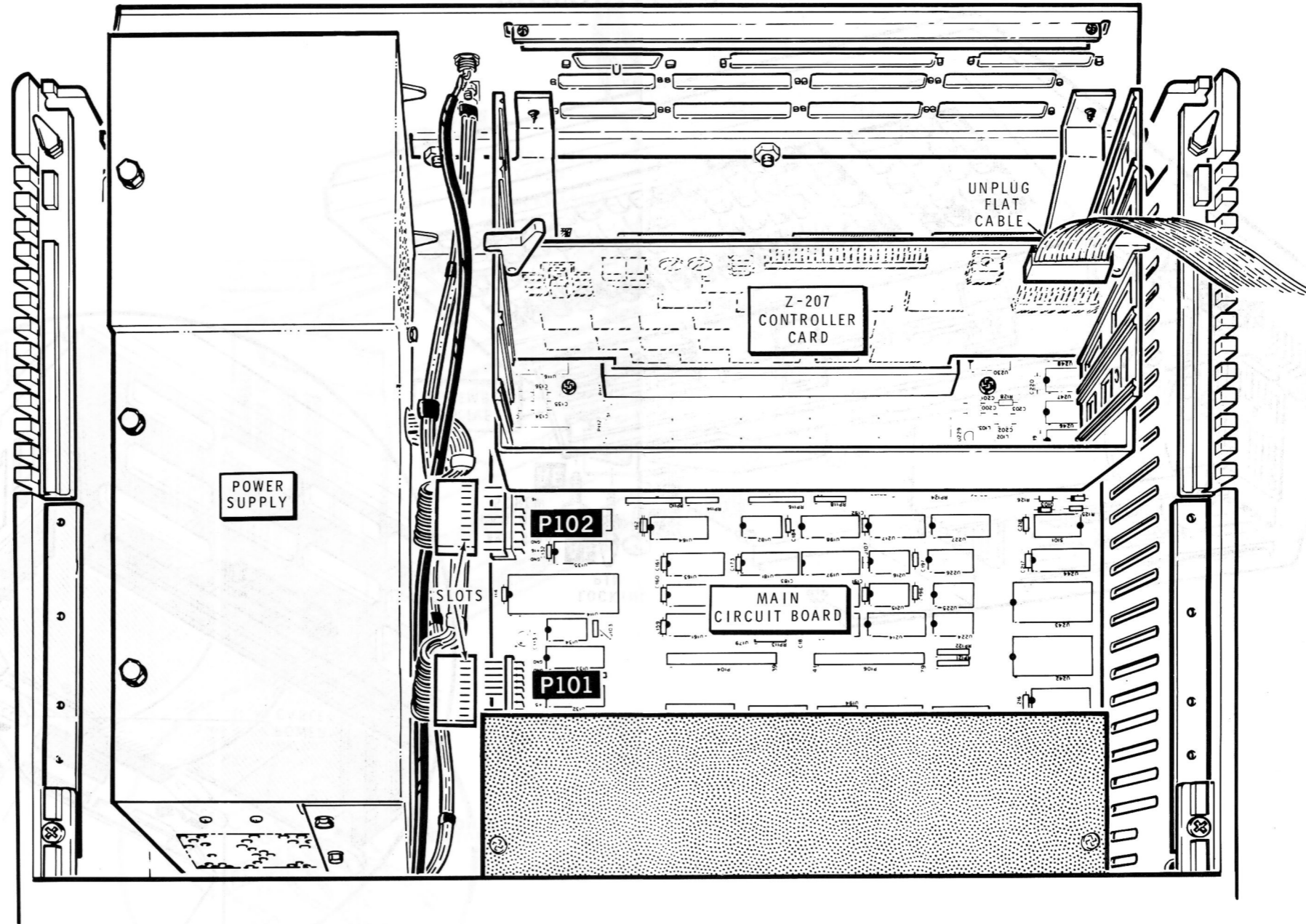
**PICTORIAL 4-34**  
Top case installation



**PICTORIAL 5-2**  
Power supply connector



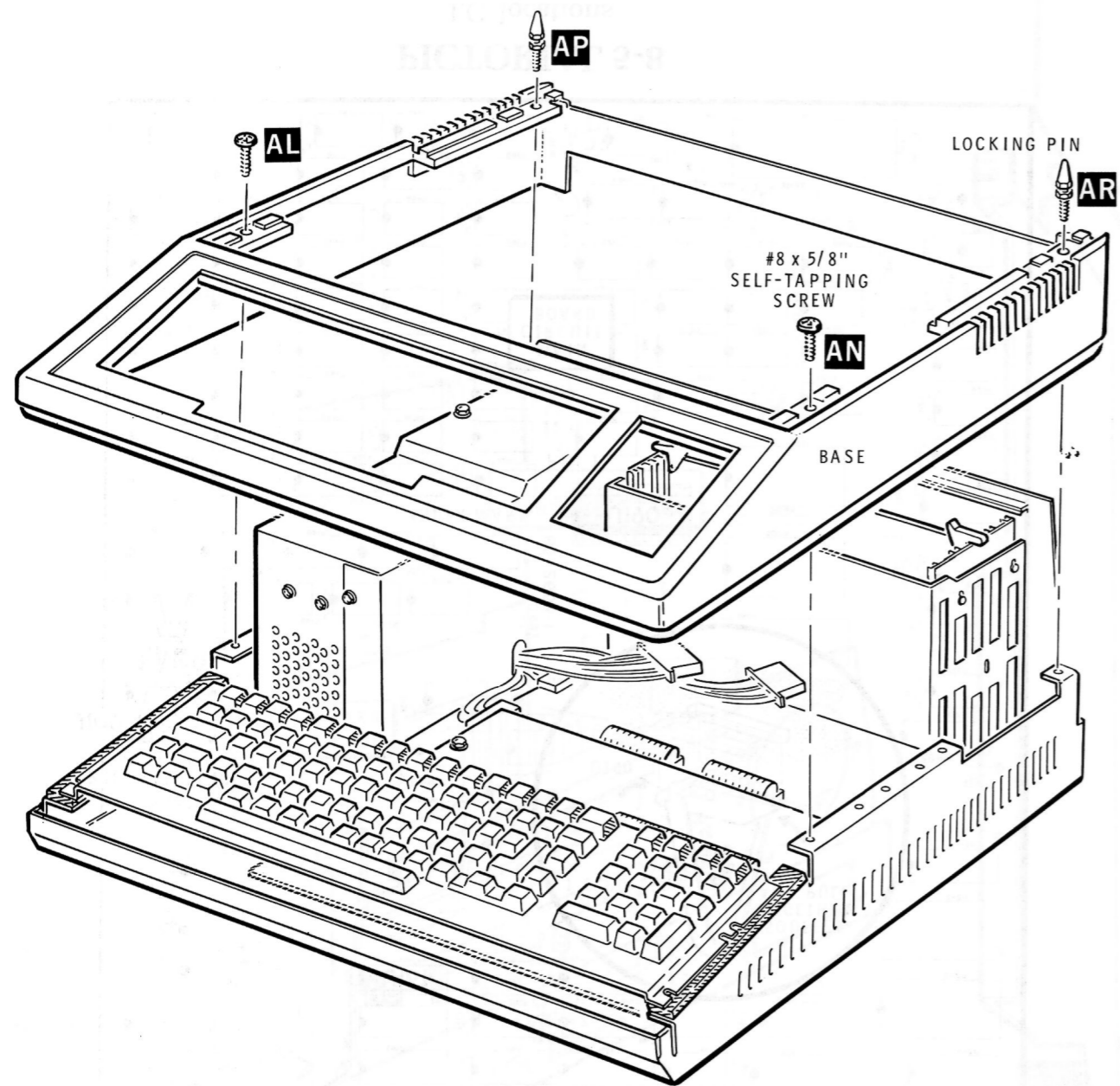
**PICTORIAL 5-3**  
Drive assembly removal



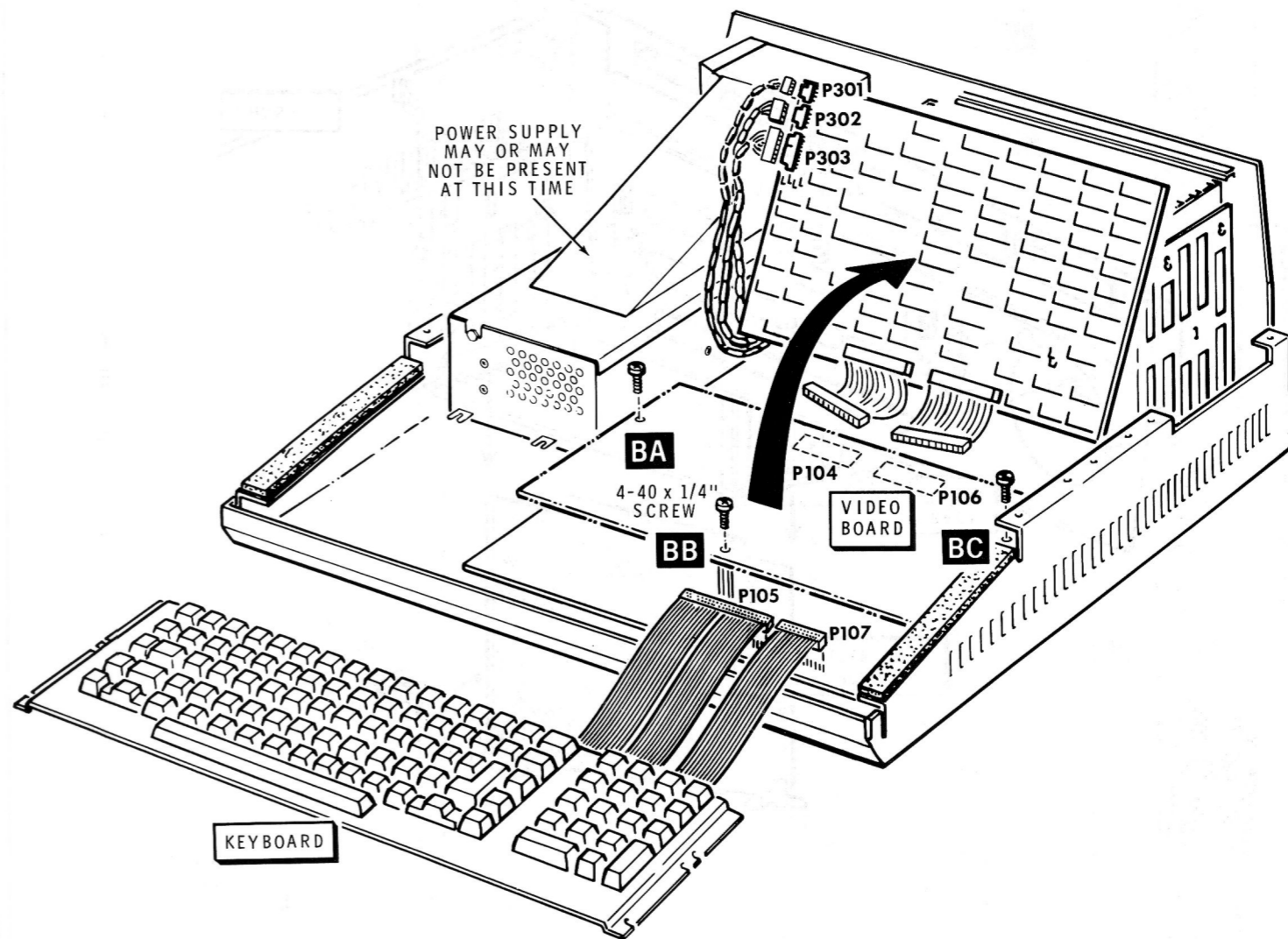
PICTORIAL 5-5

Cables

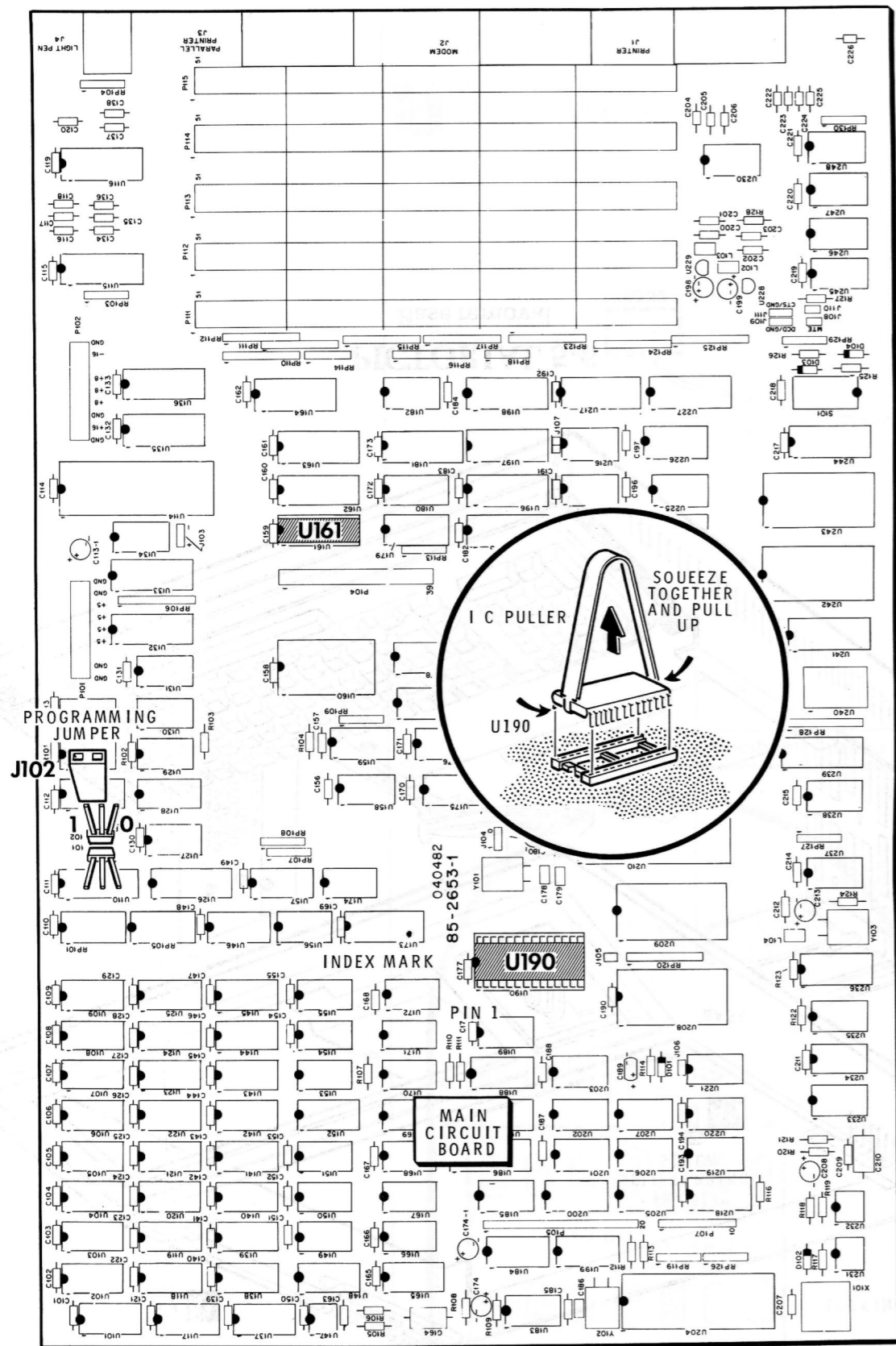




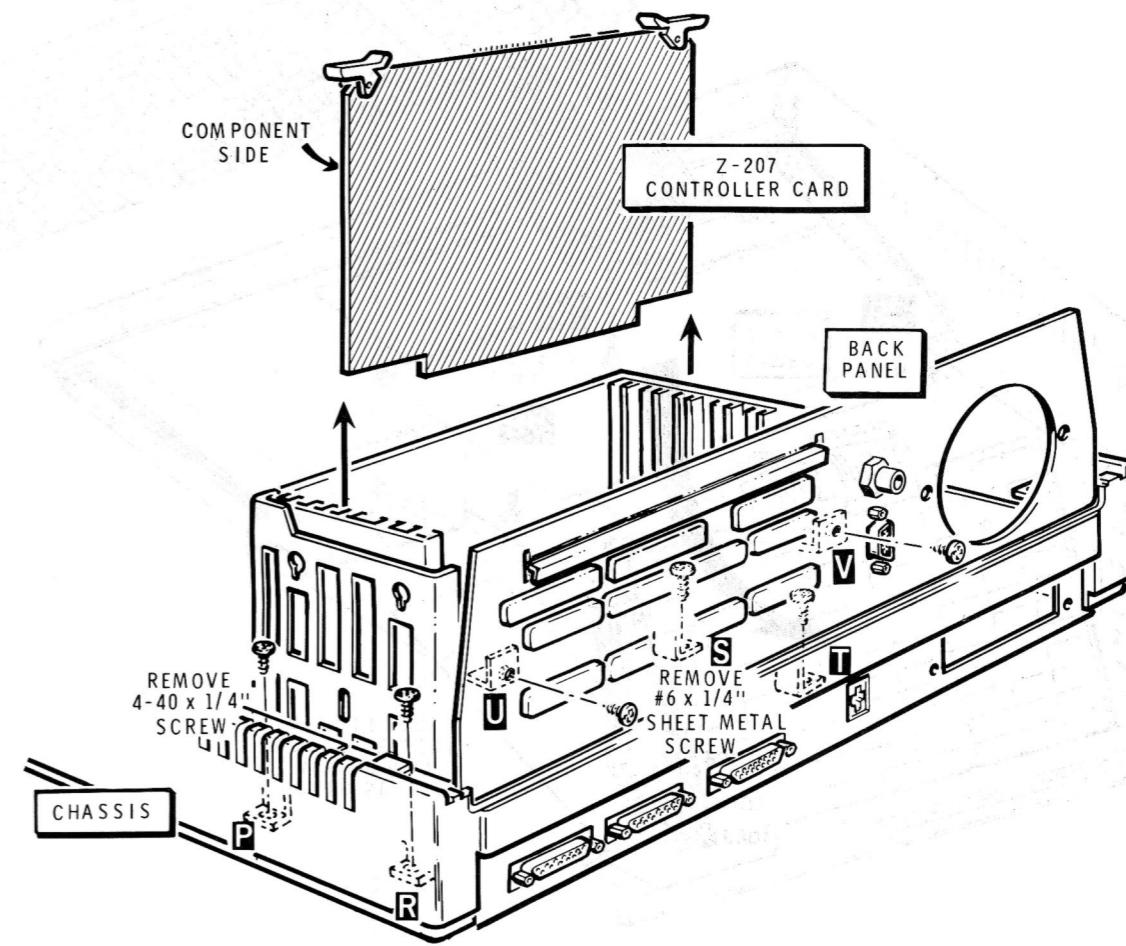
**PICTORIAL 5-6**  
Base removal



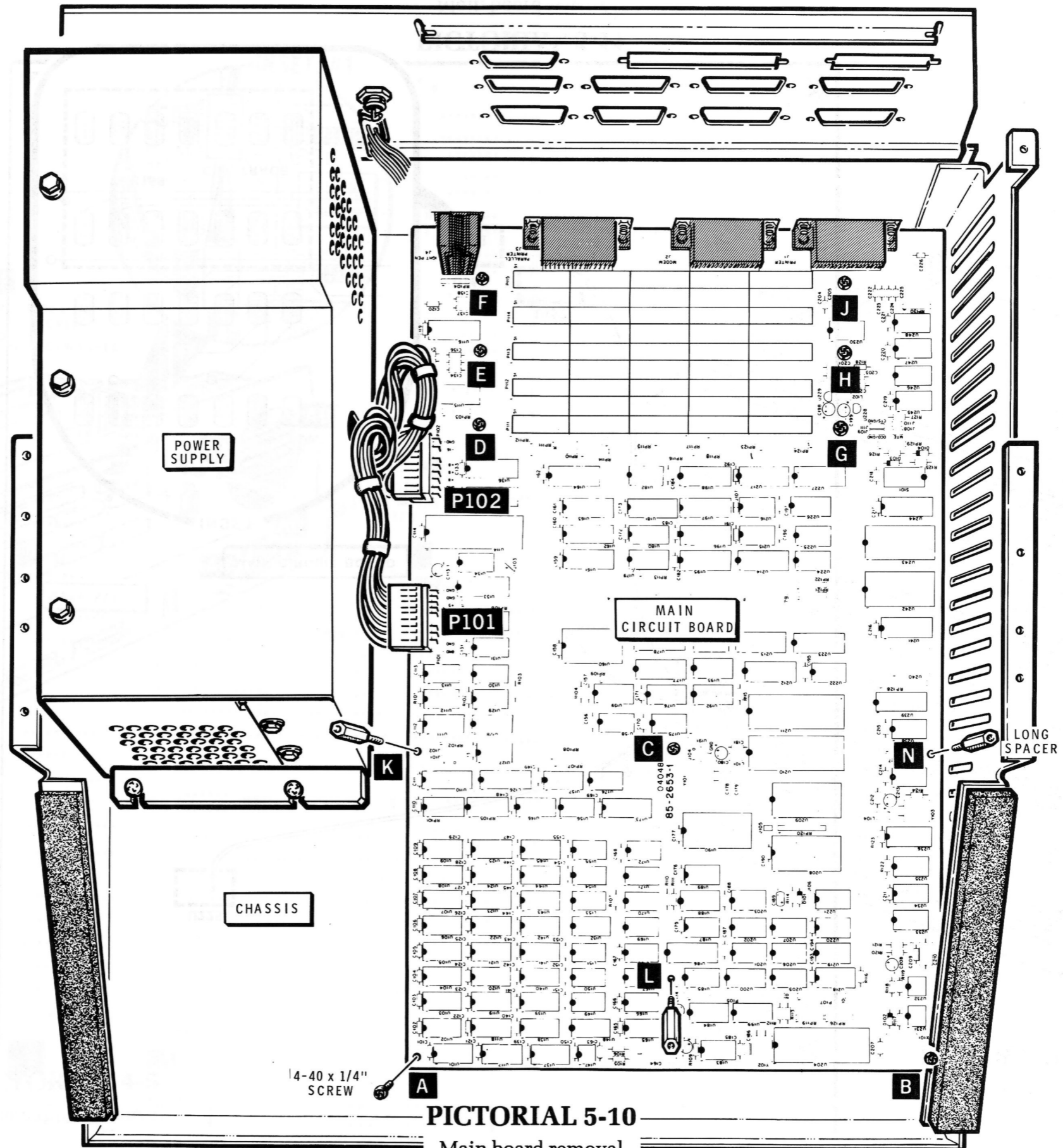
**PICTORIAL 5-7**  
Keyboard removal



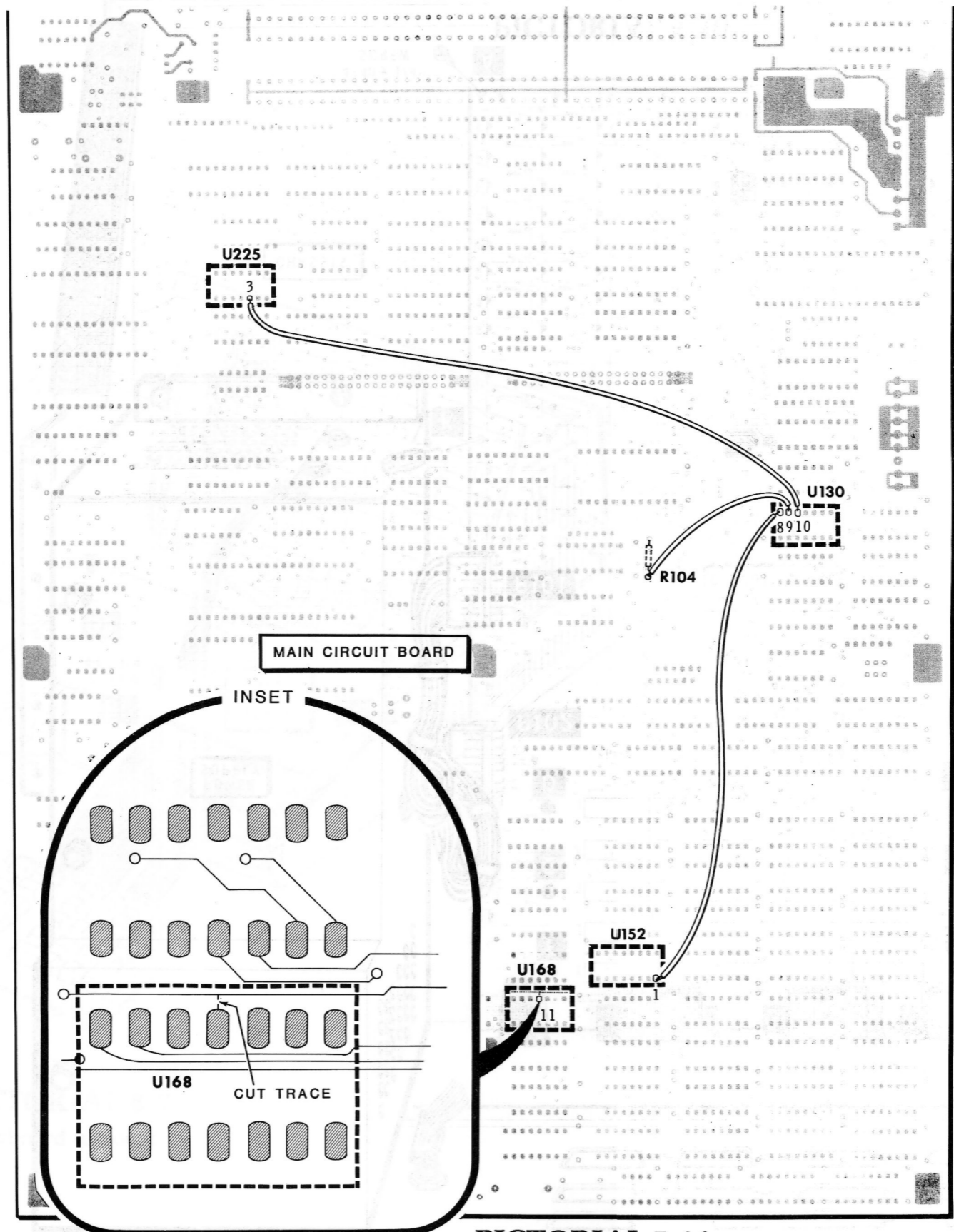
PICTORIAL 5-8  
I.C. locations



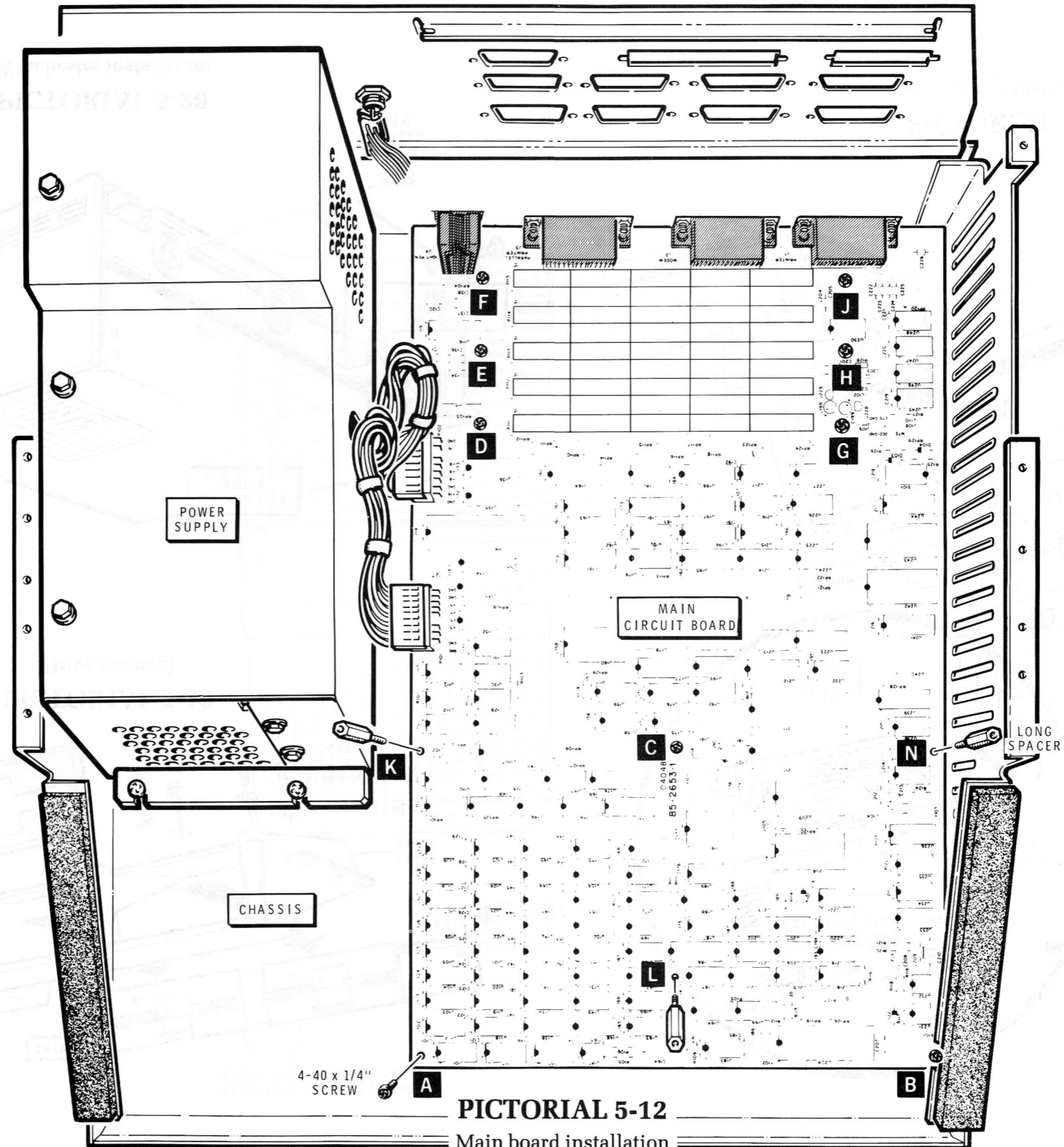
PICTORIAL 5-9  
Controller card removal



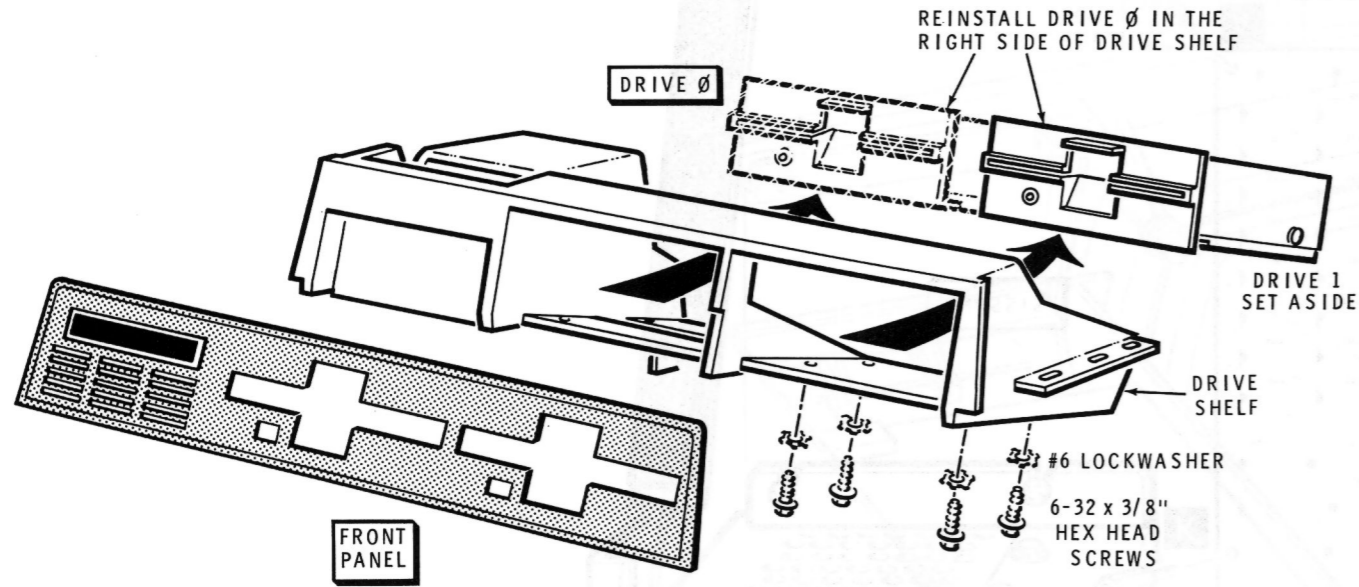
**PICTORIAL 5-10**  
Main board removal



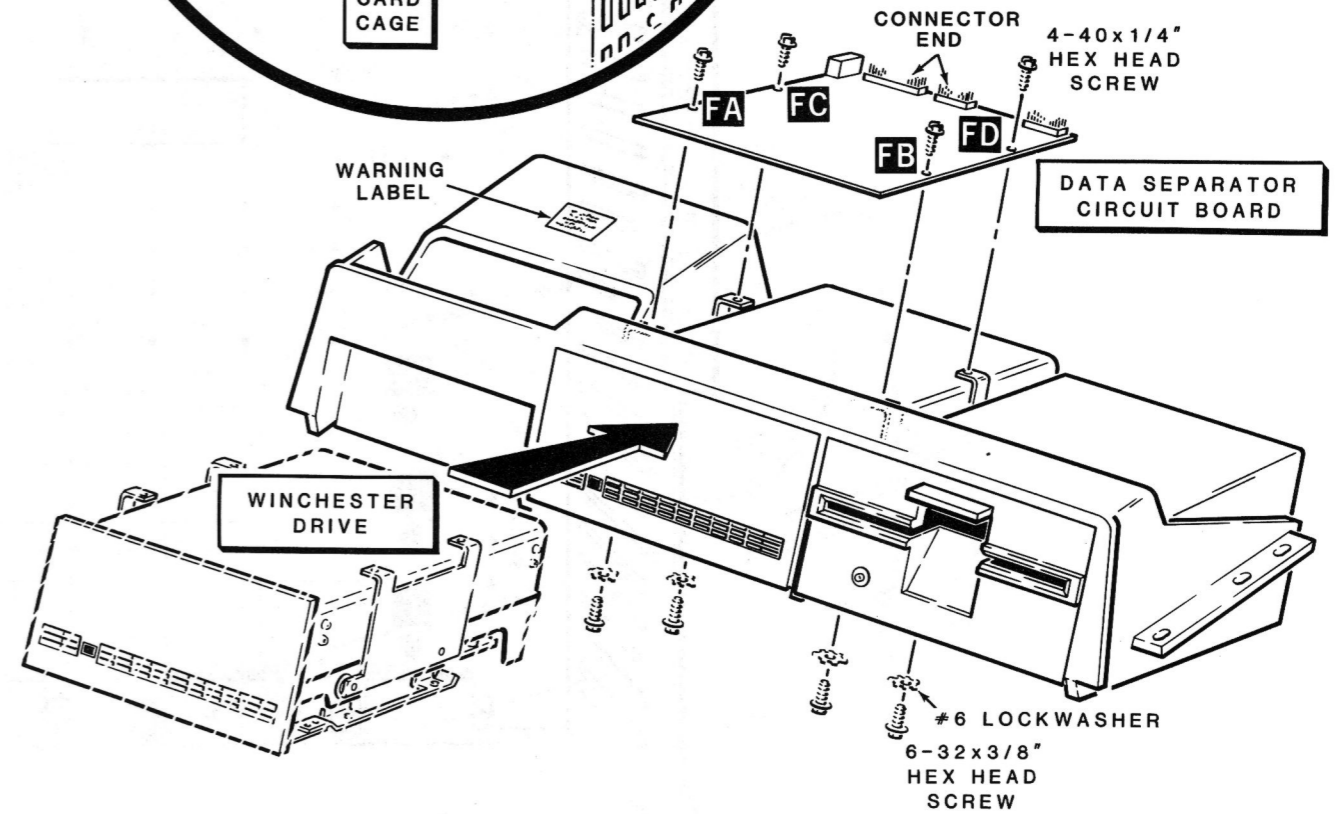
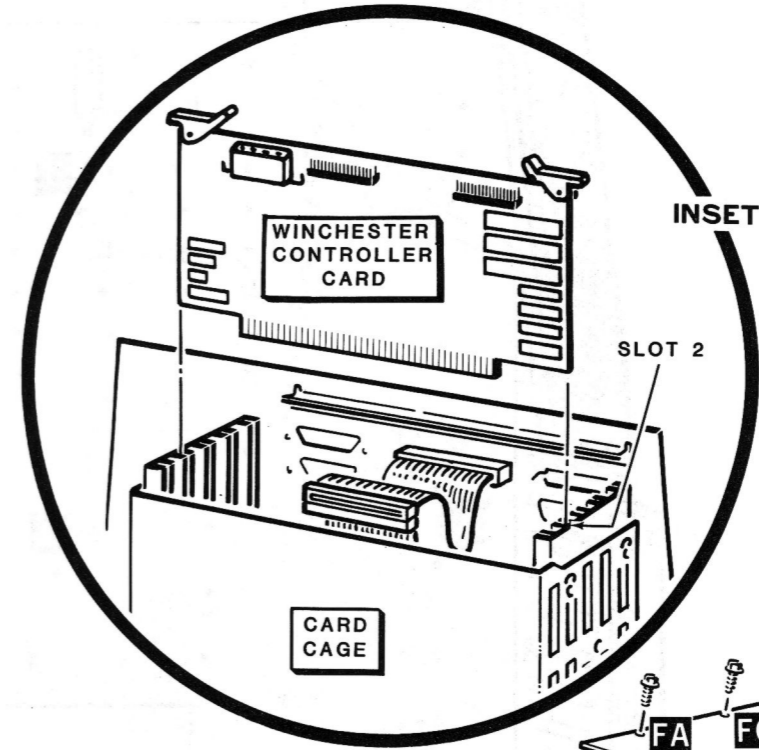
**PICTORIAL 5-11**  
Main board wiring



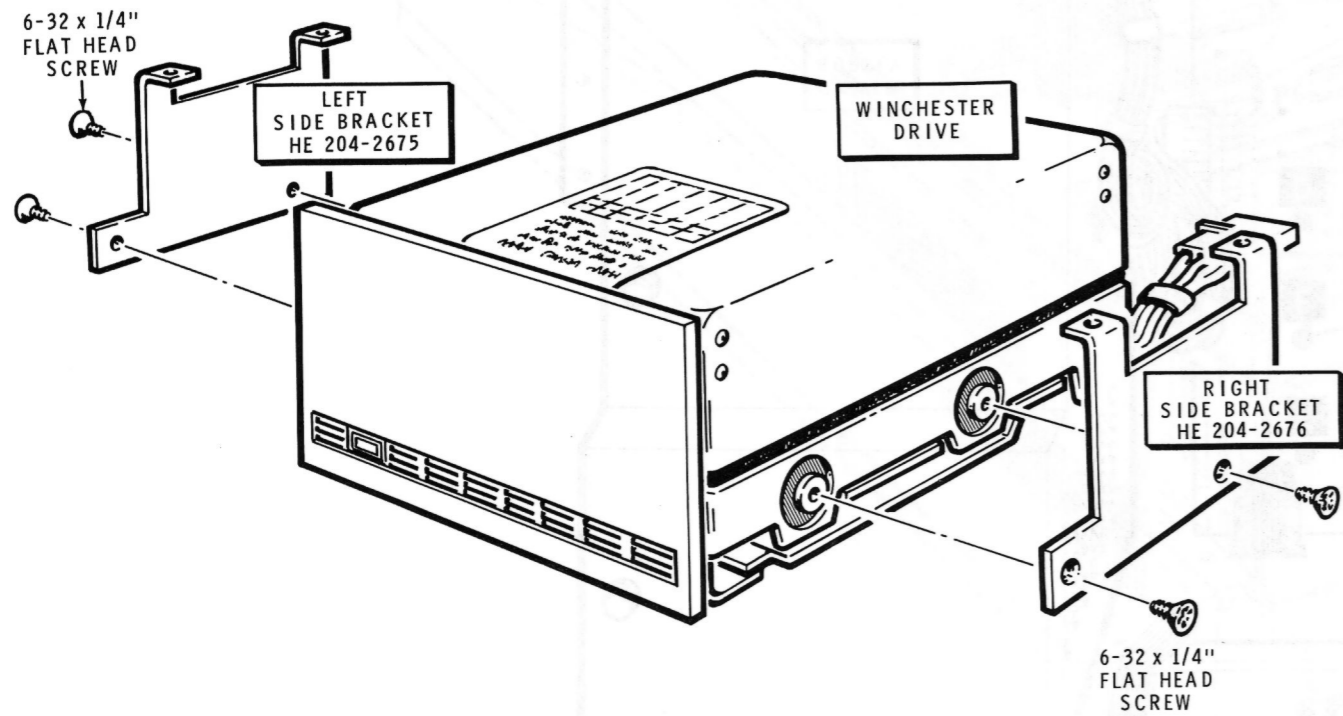
**PICTORIAL 5-12**  
Main board installation



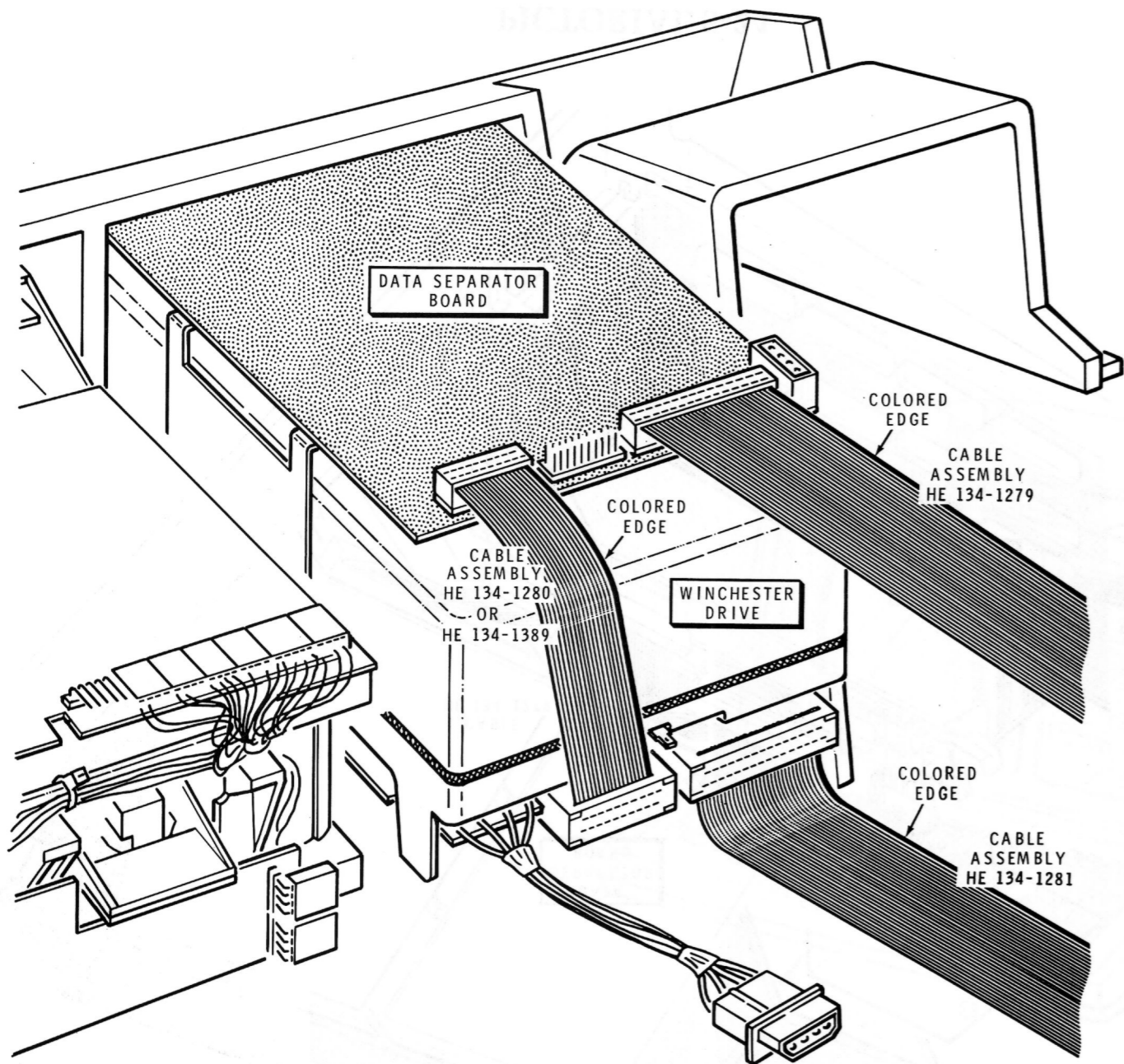
**PICTORIAL 5-19**  
Drive removal



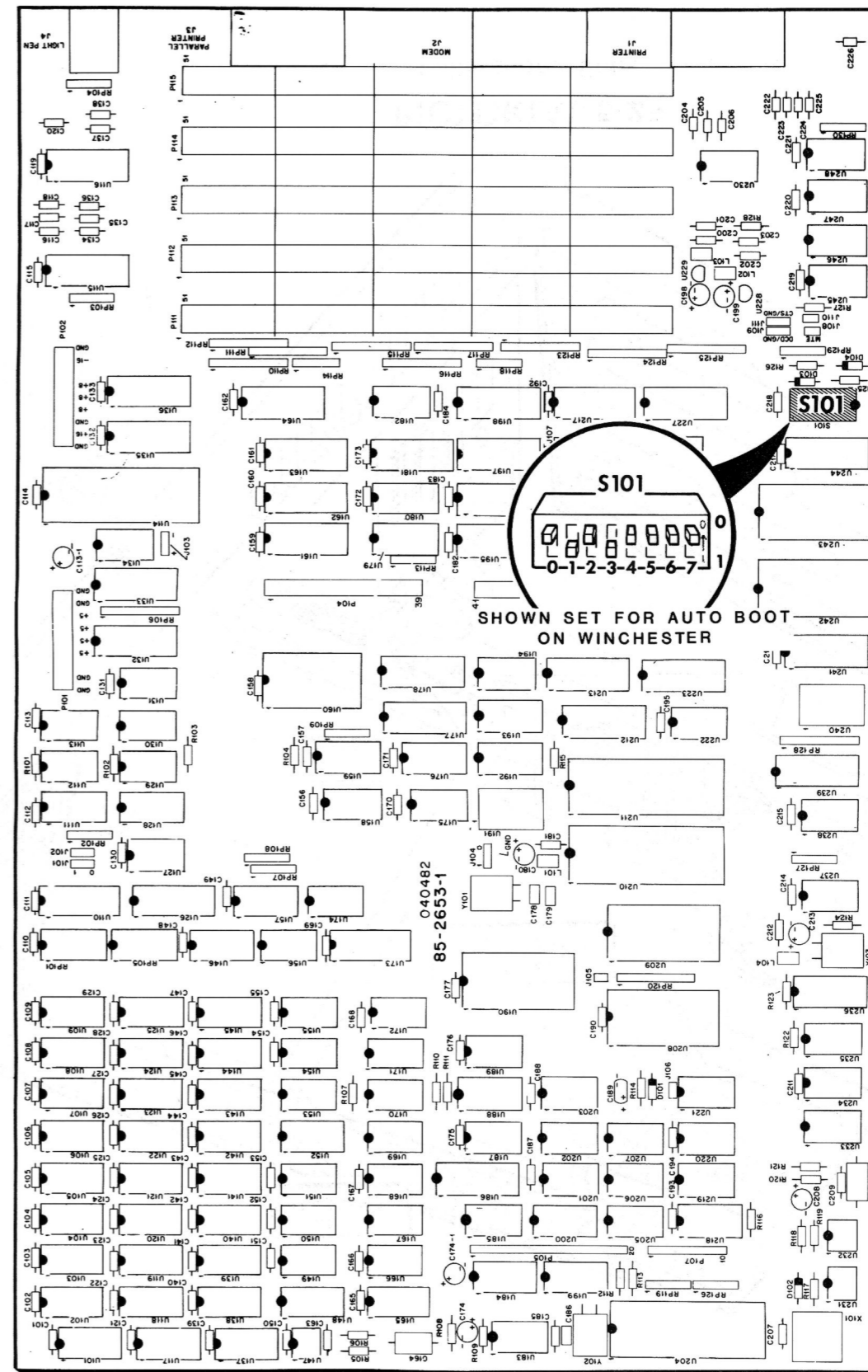
**PICTORIAL 5-21**  
Winchester installation



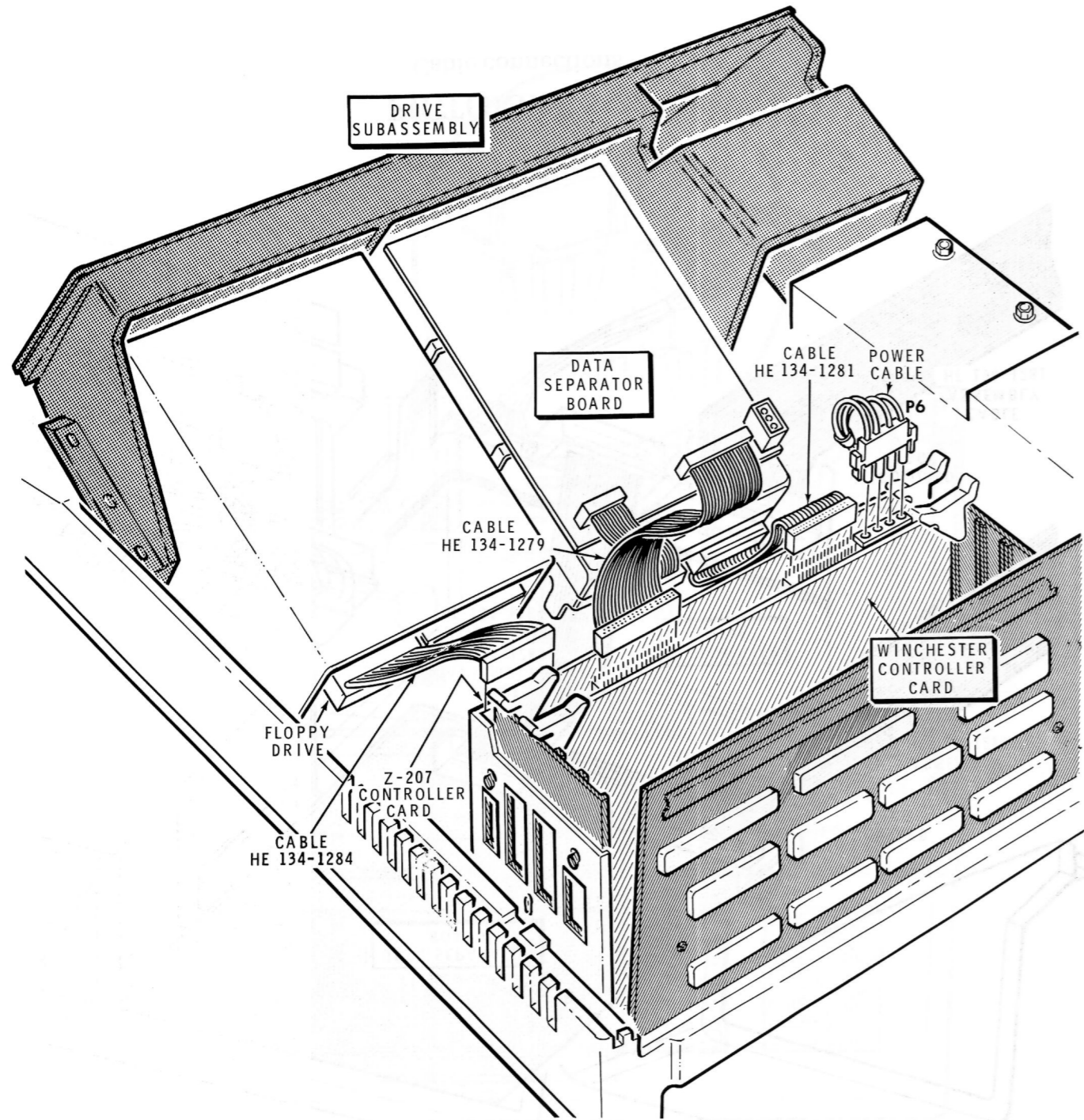
**PICTORIAL 5-20**  
Winchester installation



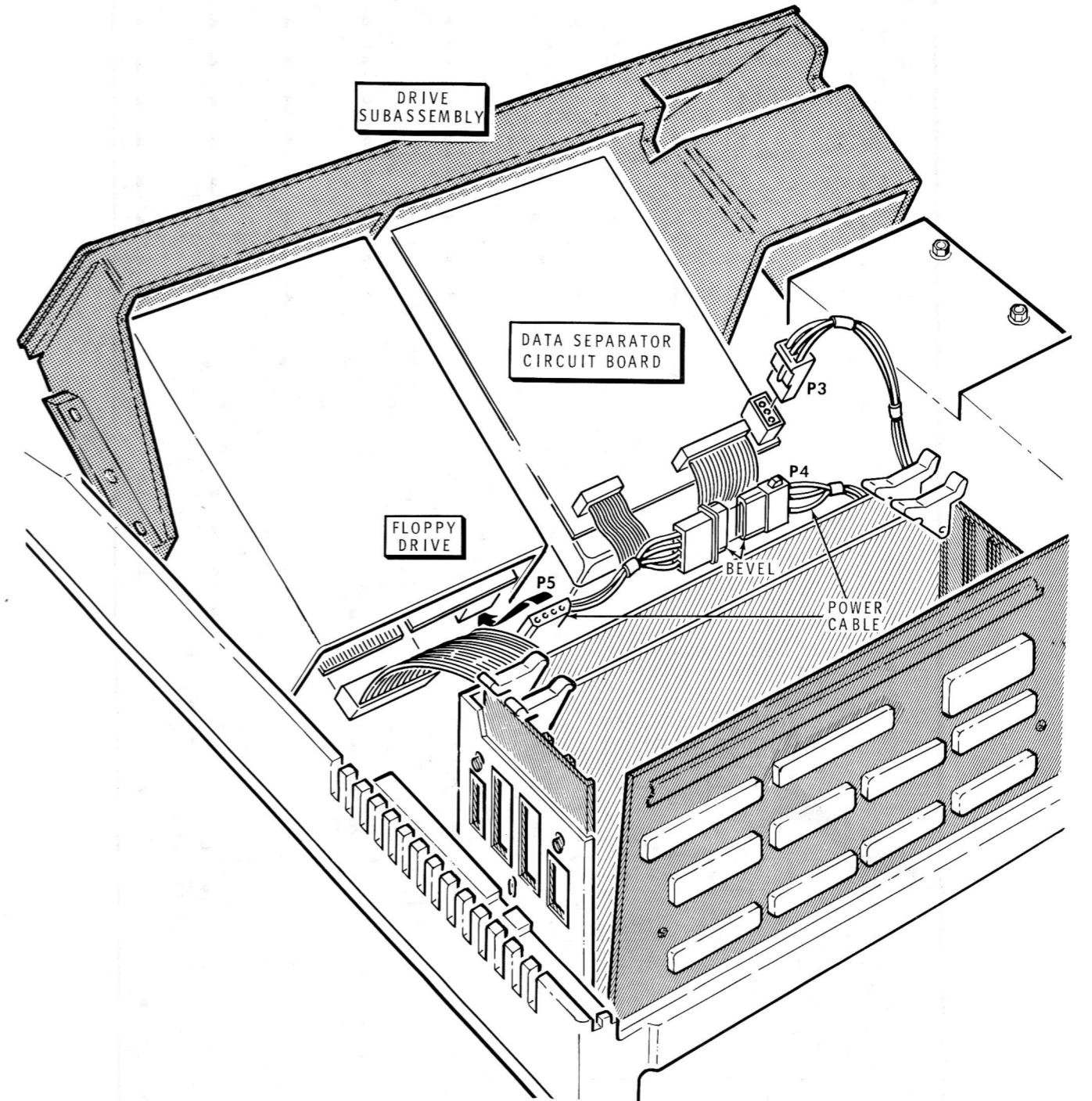
**PICTORIAL 5-22**  
Cable connections



**PICTORIAL 5-23**  
Switch S101

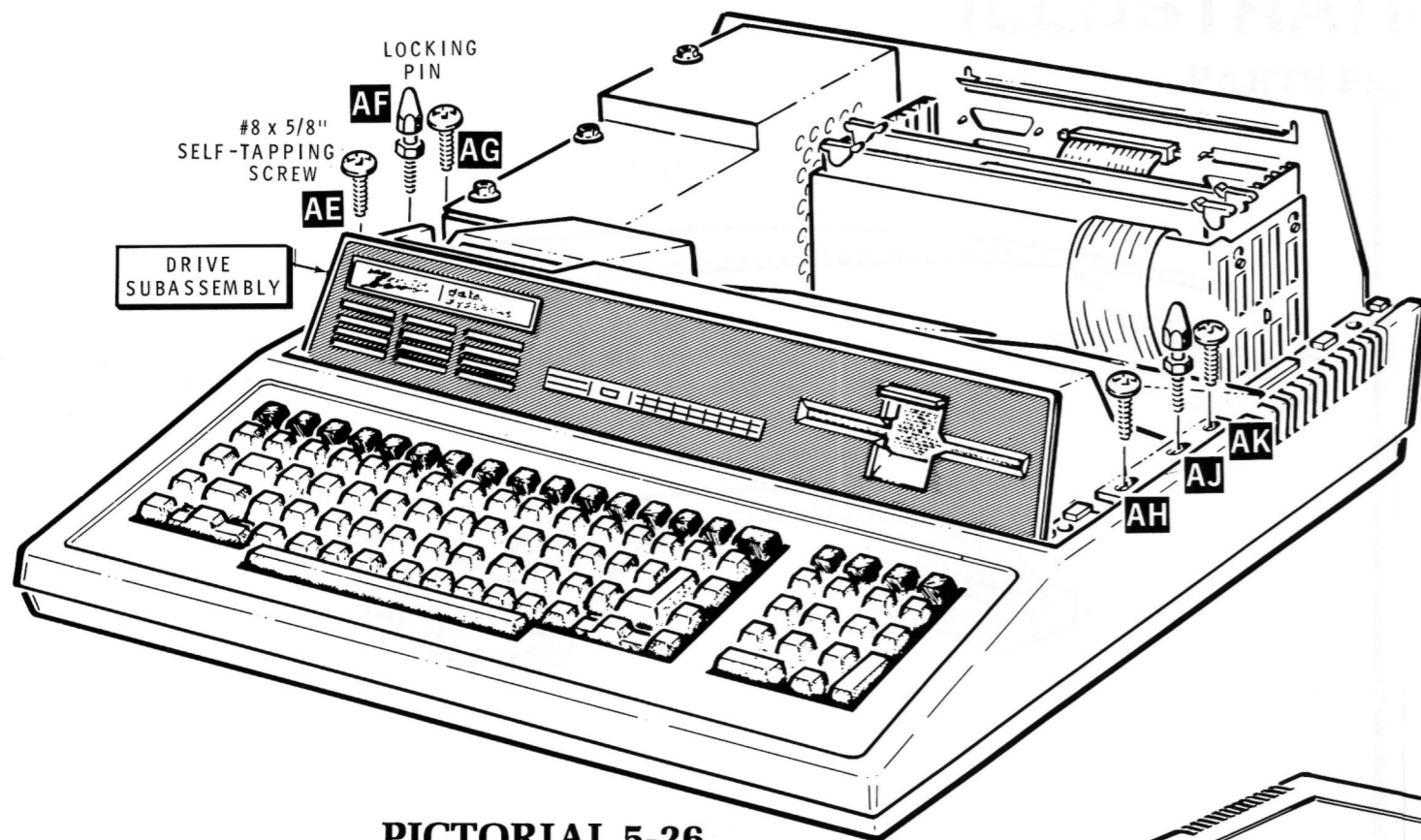


**PICTORIAL 5-24**  
Switch S101

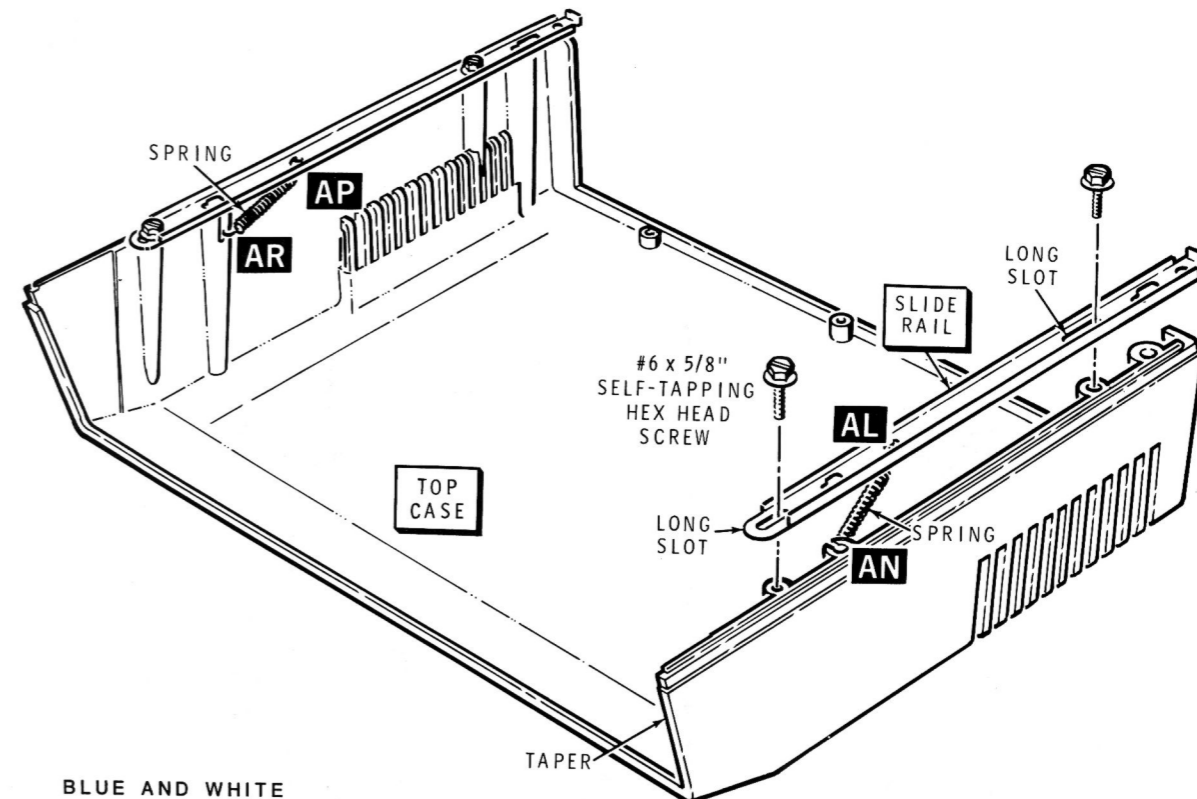


**PICTORIAL 5-25**  
Cable connections

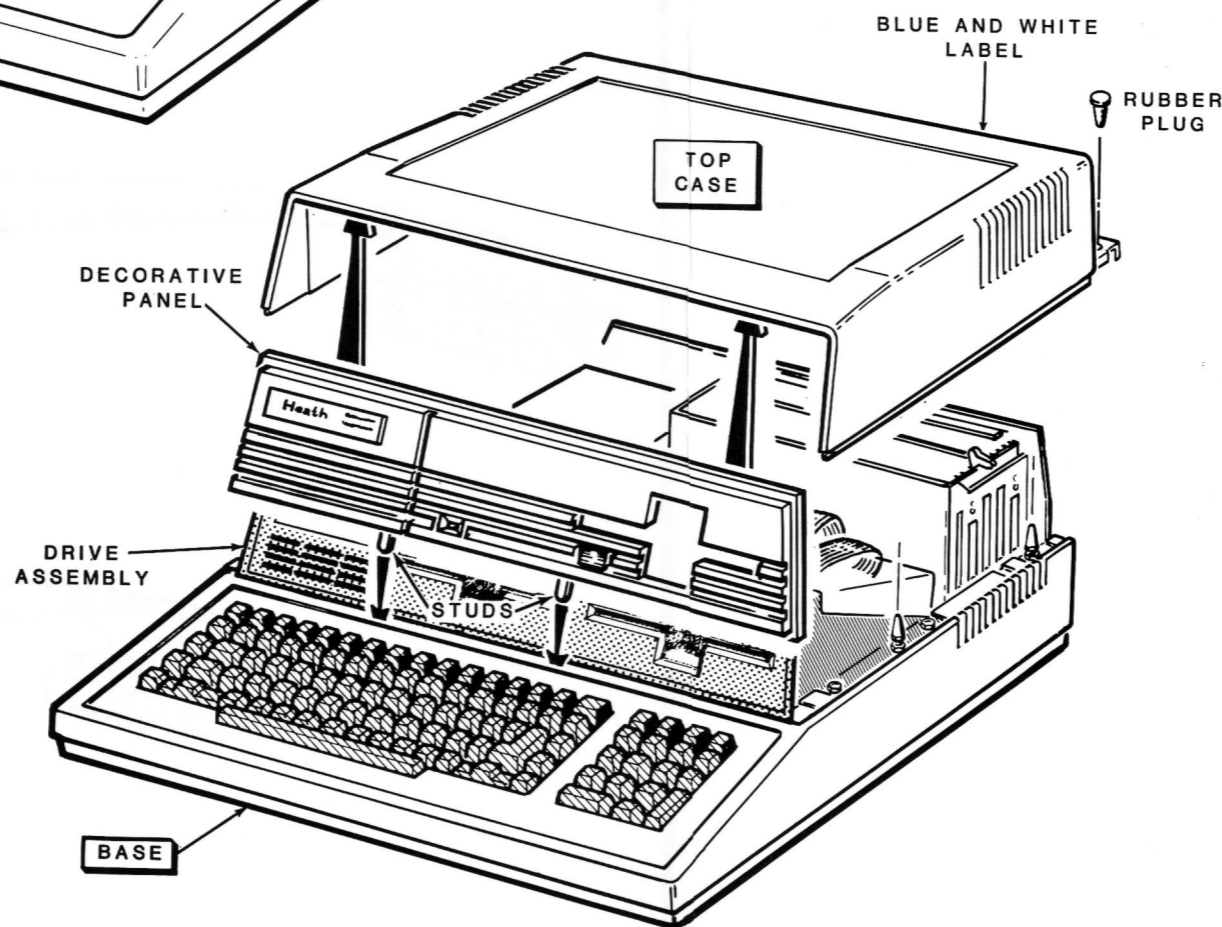




**PICTORIAL 5-26**  
Cable connections

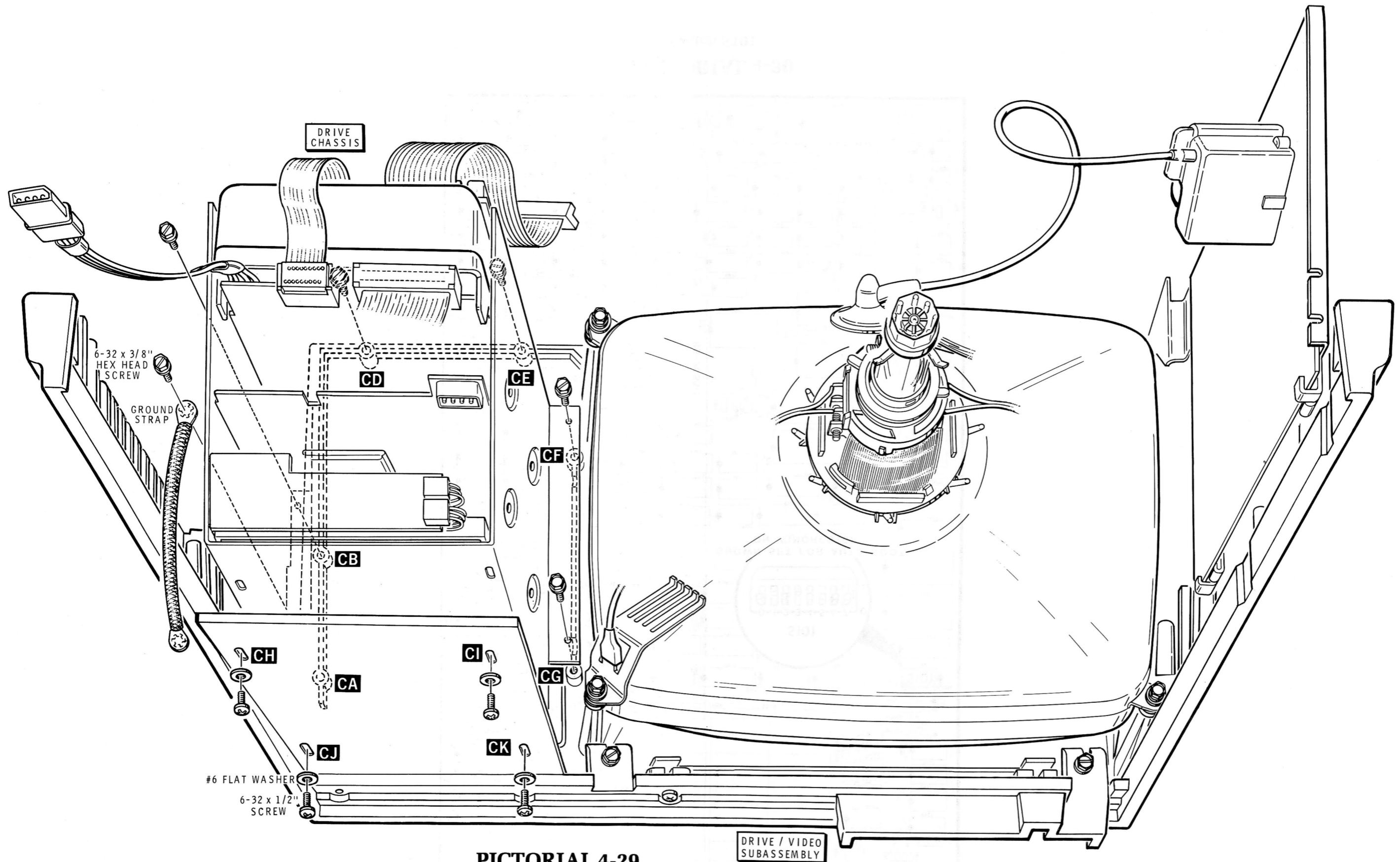


**PICTORIAL 5-27**  
Final assembly



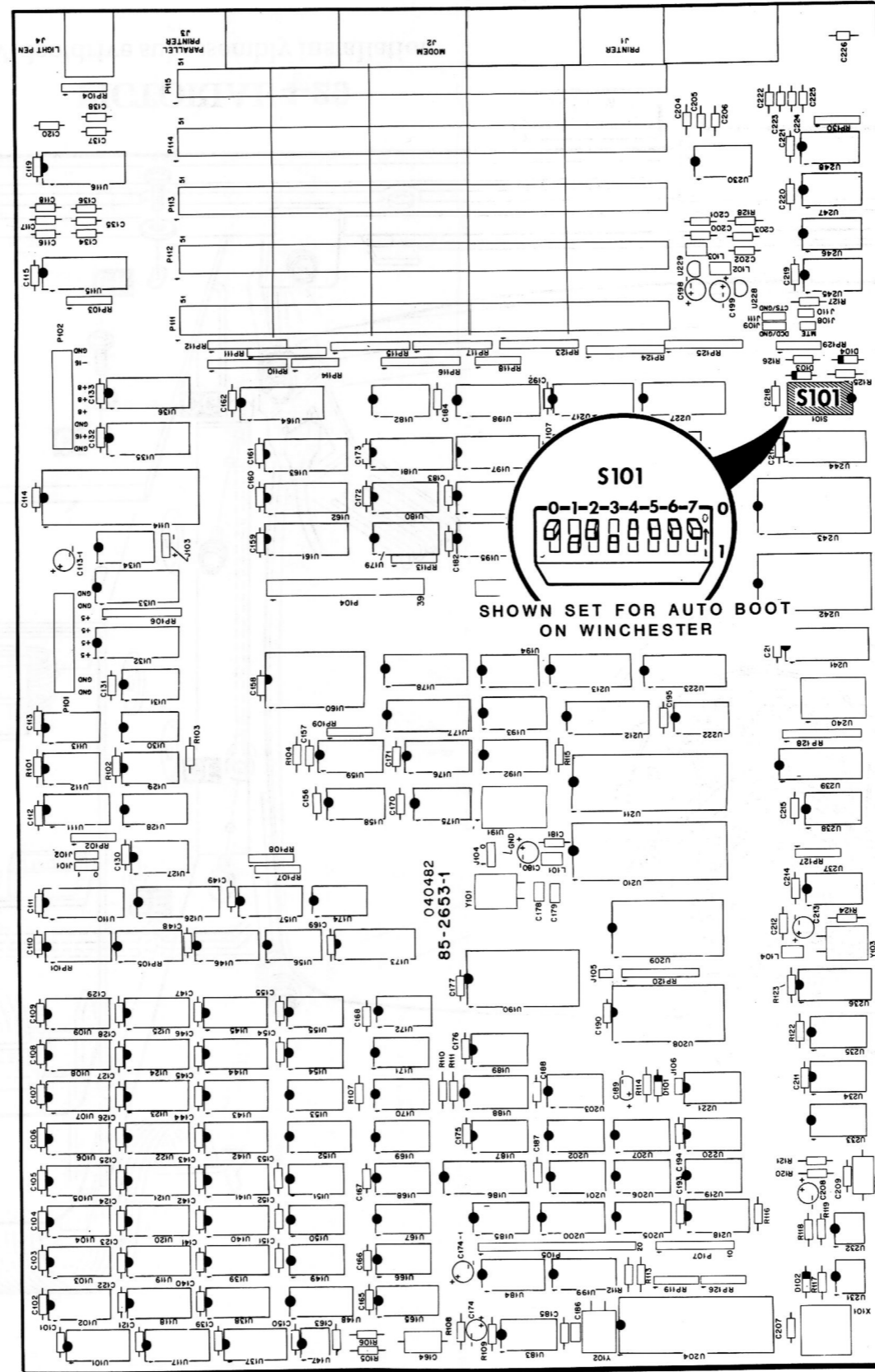
**PICTORIAL 5-28**  
Side rail installation





**PICTORIAL 4-29**  
Video/drive subassembly installation

PRELIMINARY COPY



PICTORIAL 4-30

Switch S101

PRELIMINARY COPY