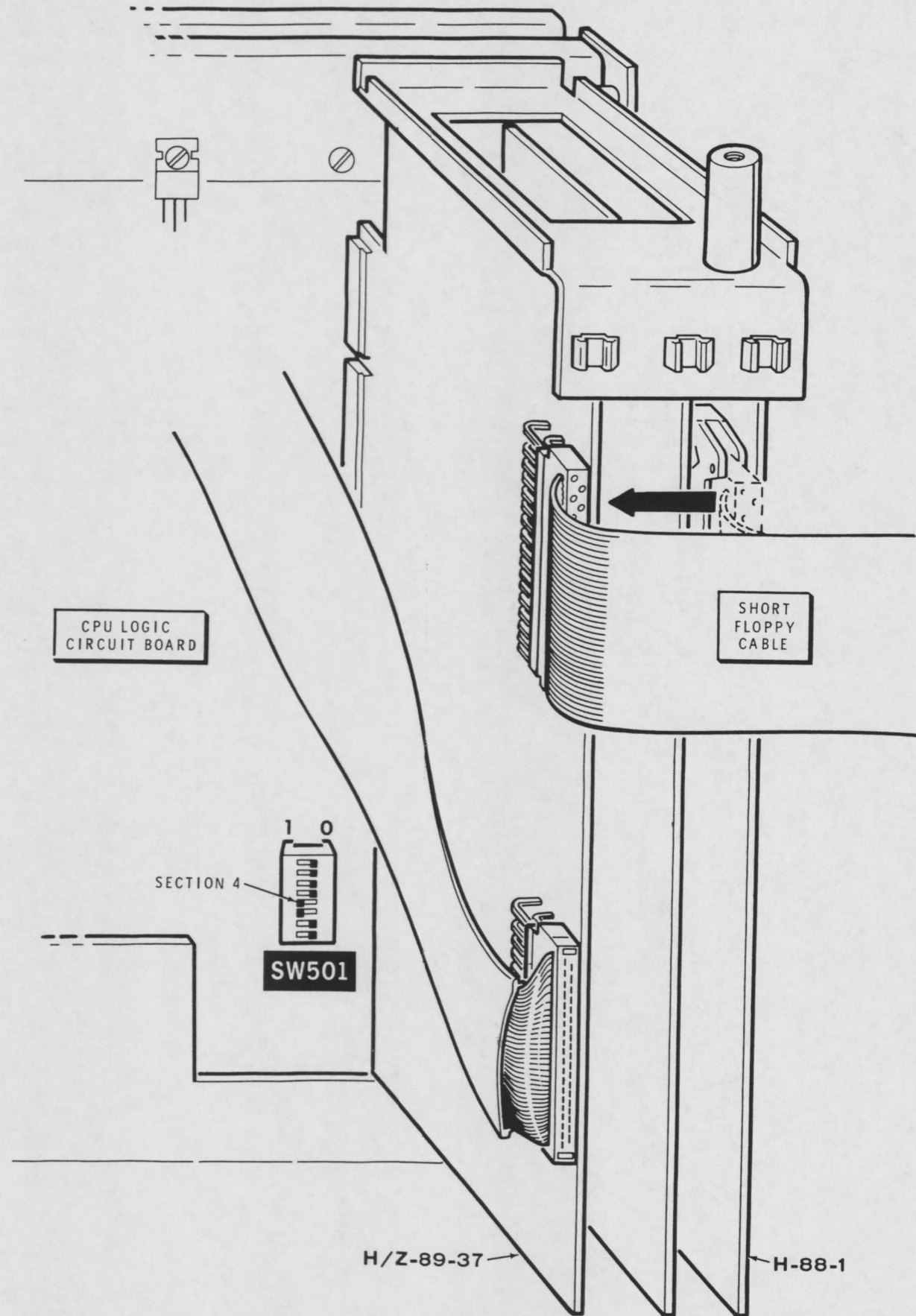


ILLUSTRATION BOOKLET

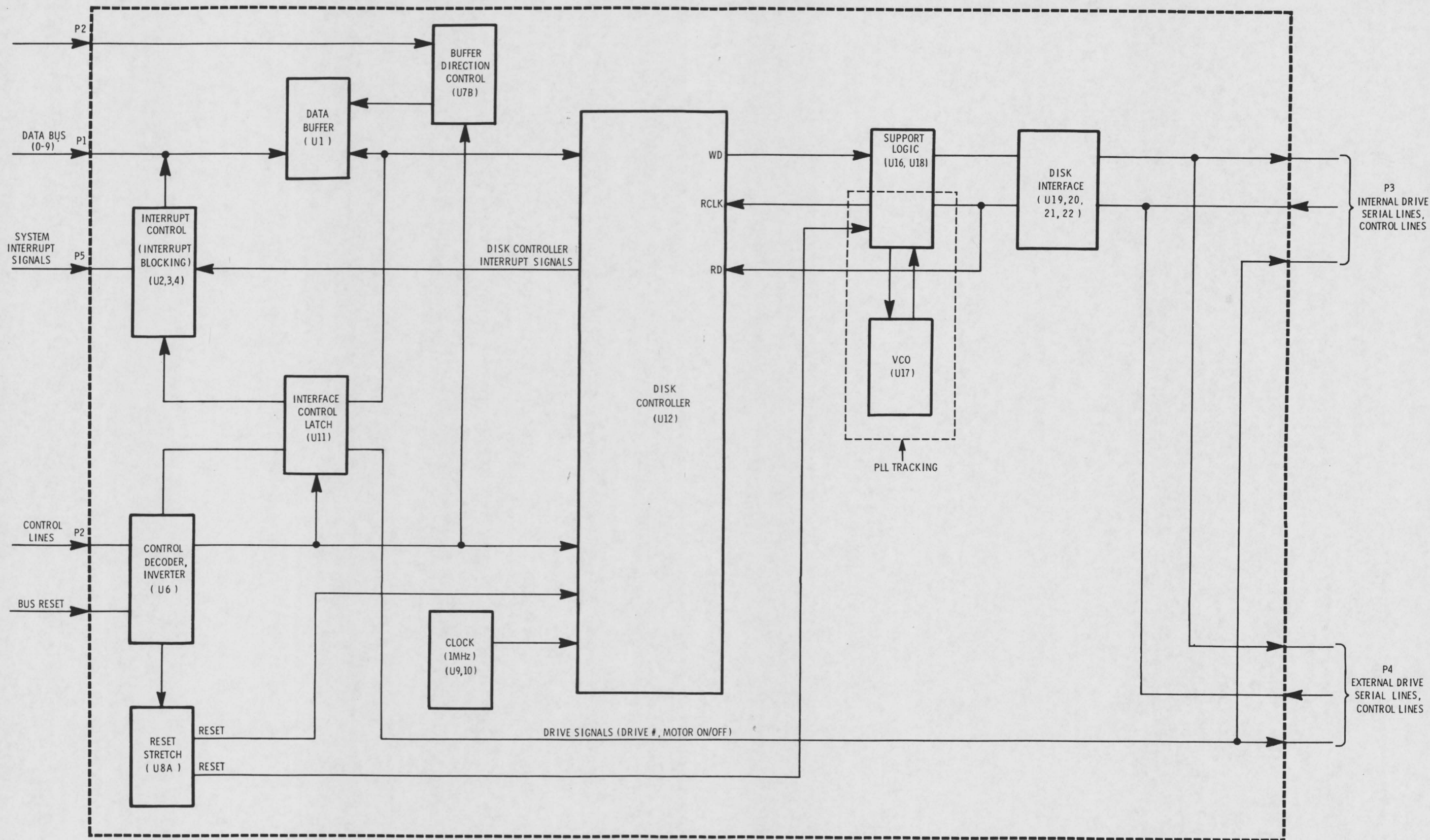
Part of 595-2674



PICTORIAL 3

Model Z-89-37

Copyright © 1981
Zenith Data Systems
All Rights Reserved
Printed in the United States of America



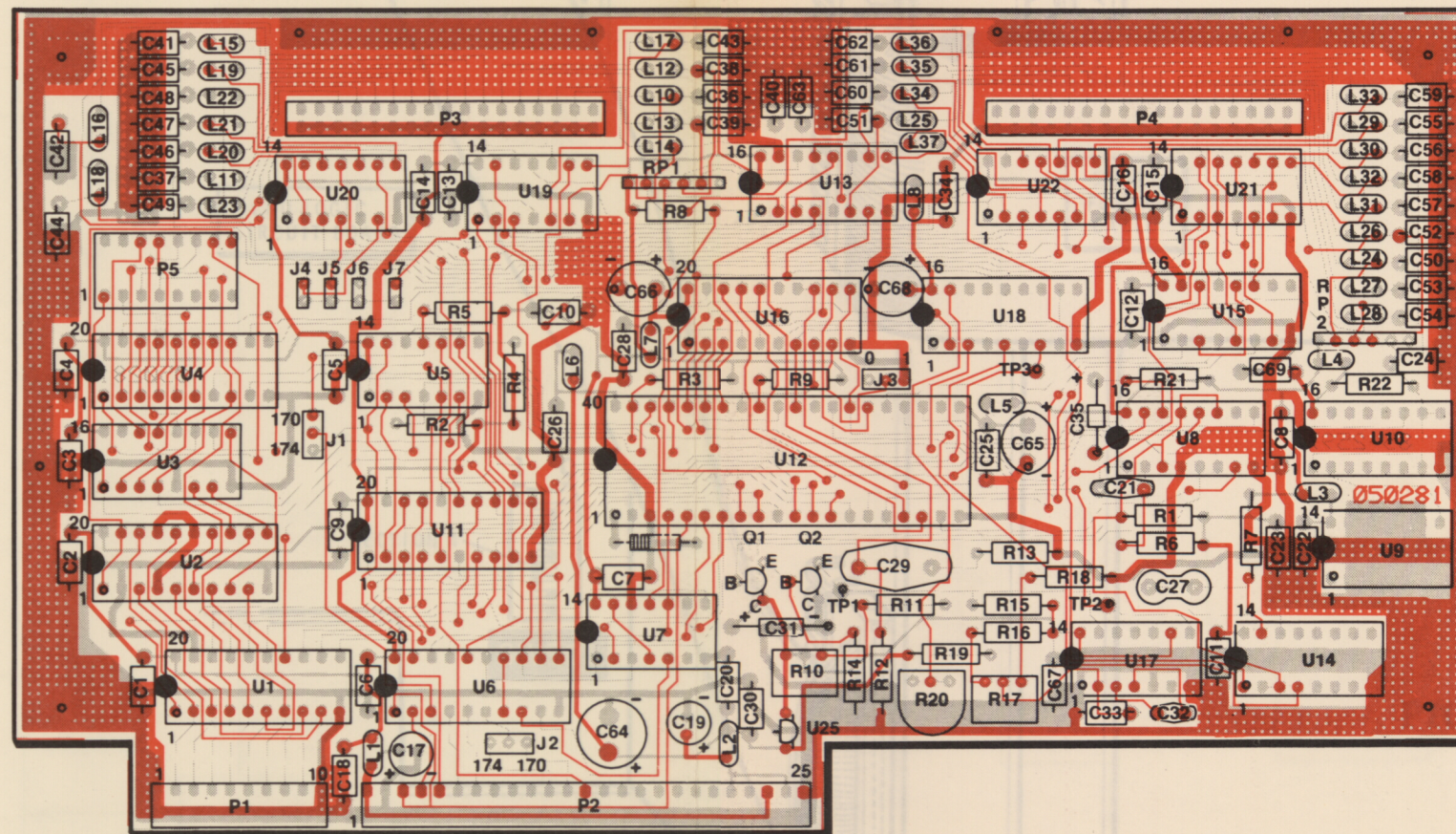
BLOCK DIAGRAM

CIRCUIT BOARD X-RAY VIEW

Part of 595-2574

NOTE: To find the PART NUMBER of a component for the purpose of ordering a replacement part:

- A. Find the circuit component number (C101, C104, etc.) on the X-Ray View.
- B. Locate the same number in the "Circuit Component Number" columns of the "Replacement Parts List" (Page 59).
- C. Adjacent to the circuit component number, you will find the PART NUMBER and DESCRIPTION which must be supplied when you order a replacement part.



Viewed from component side