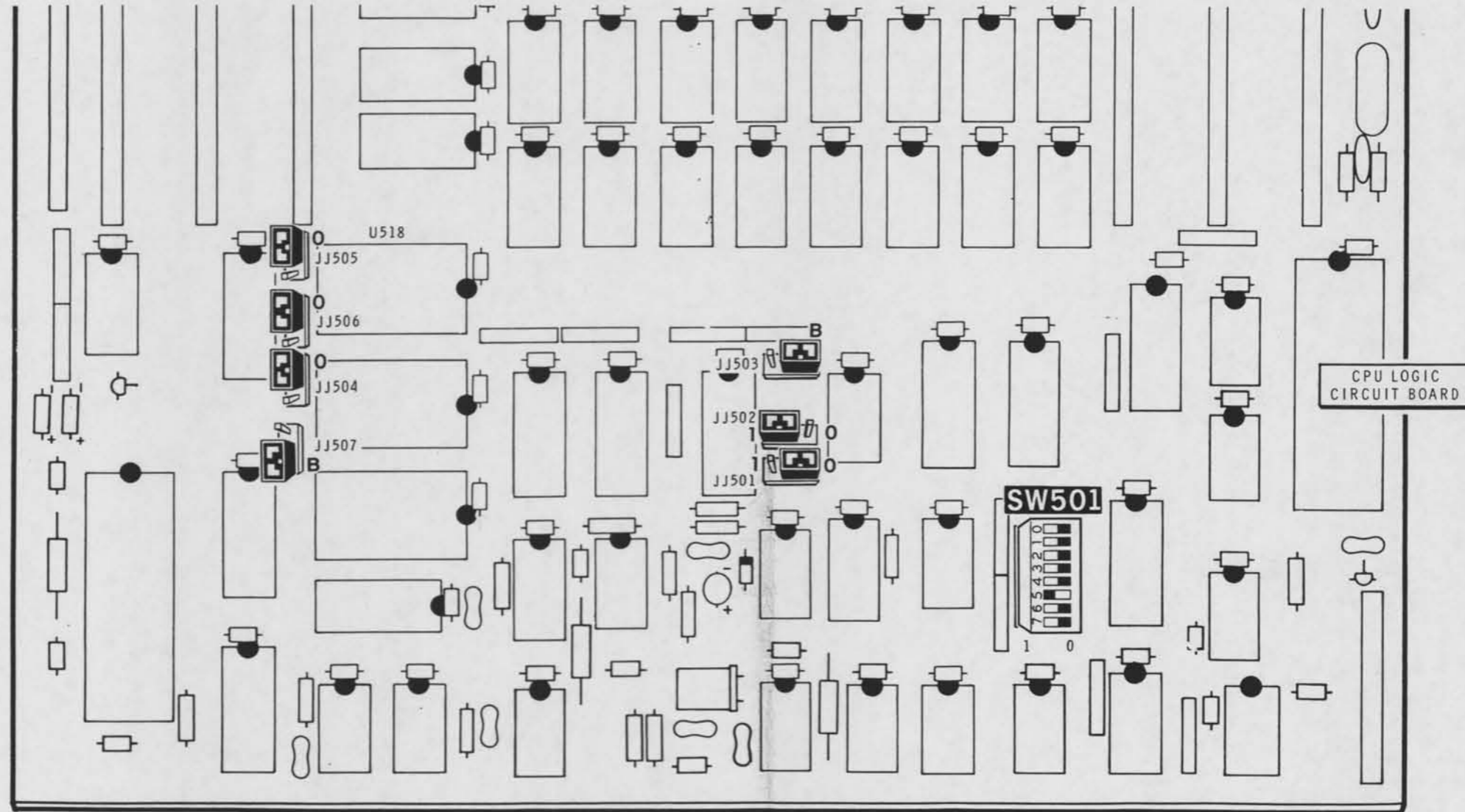


ILLUSTRATION BOOKLET

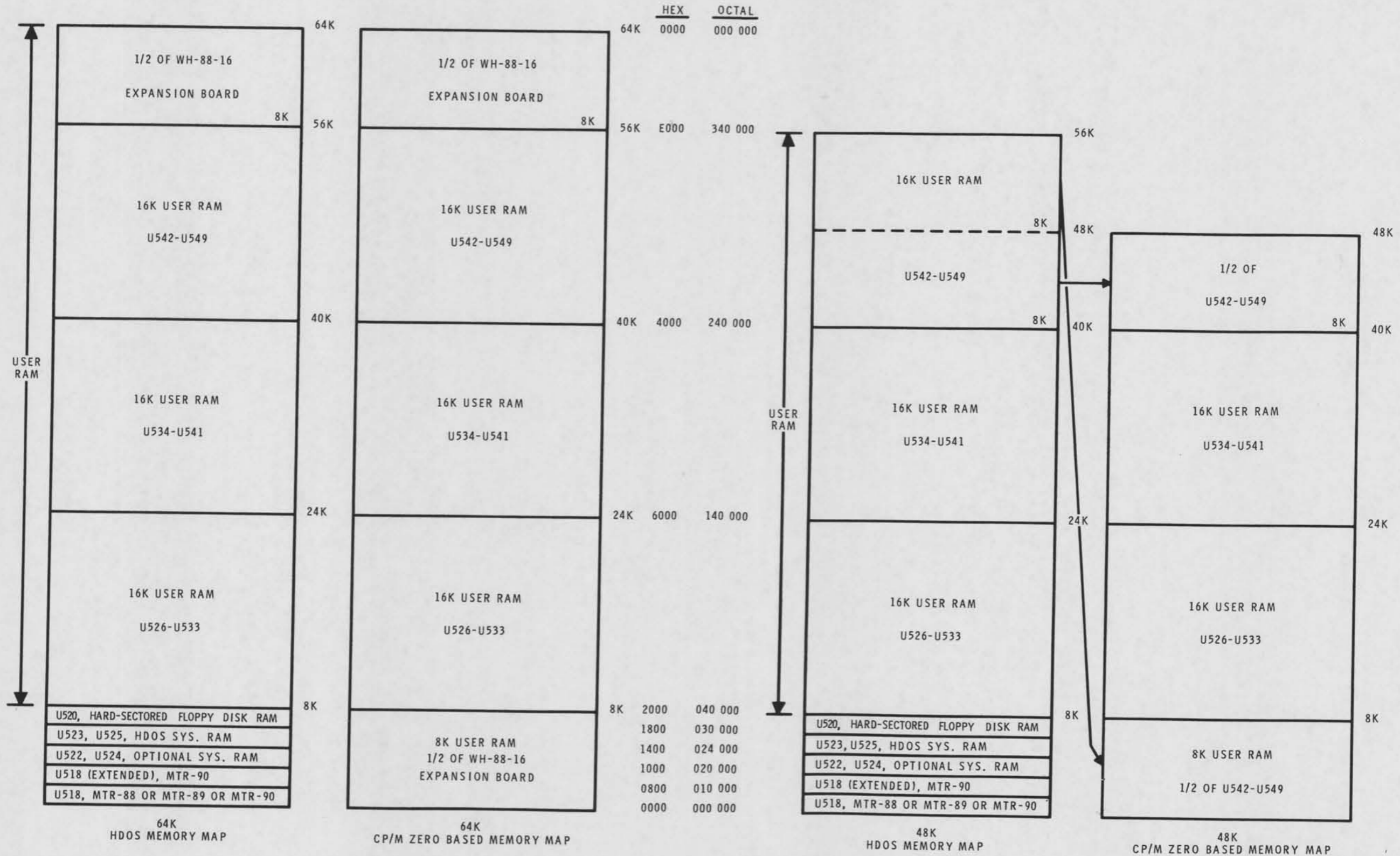
Part of 595-2690

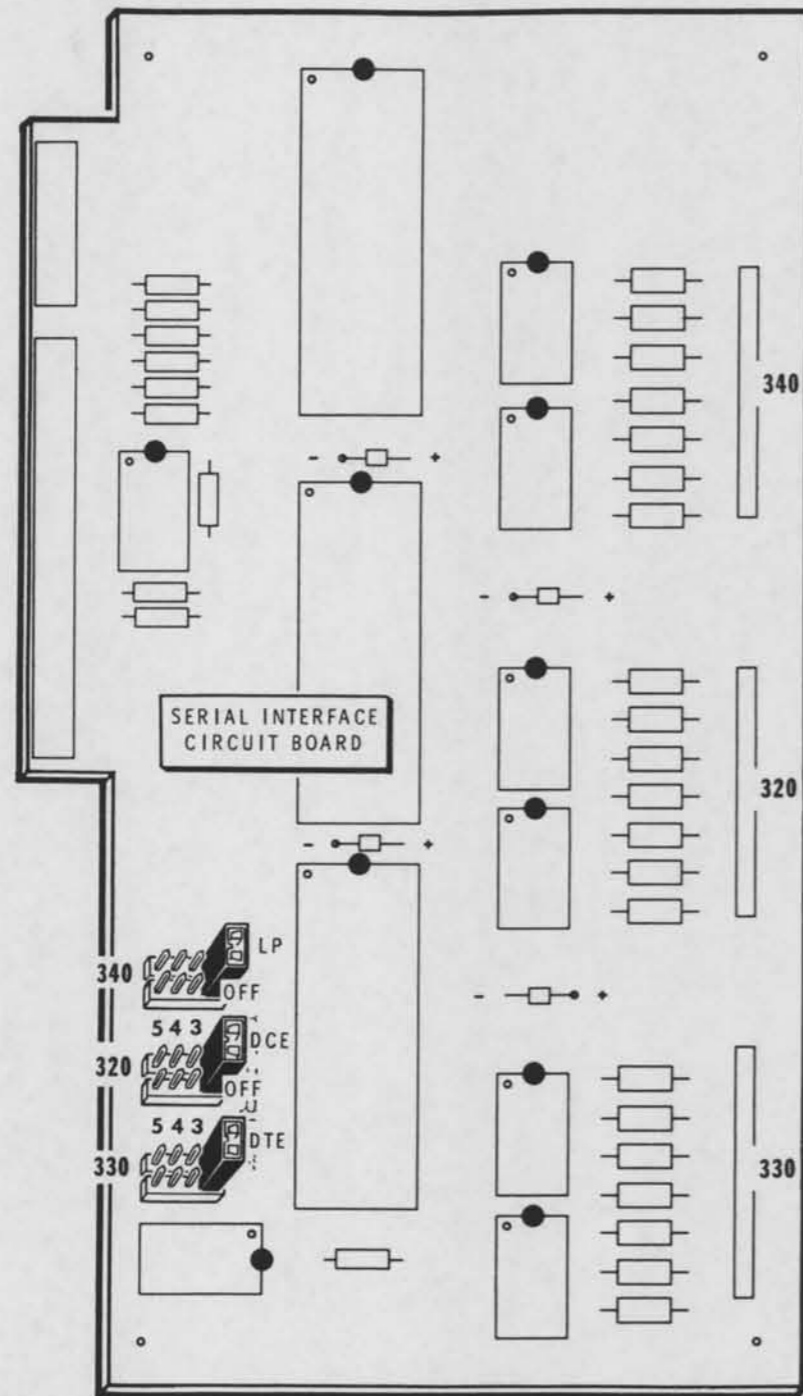


PICTORIAL 4-2

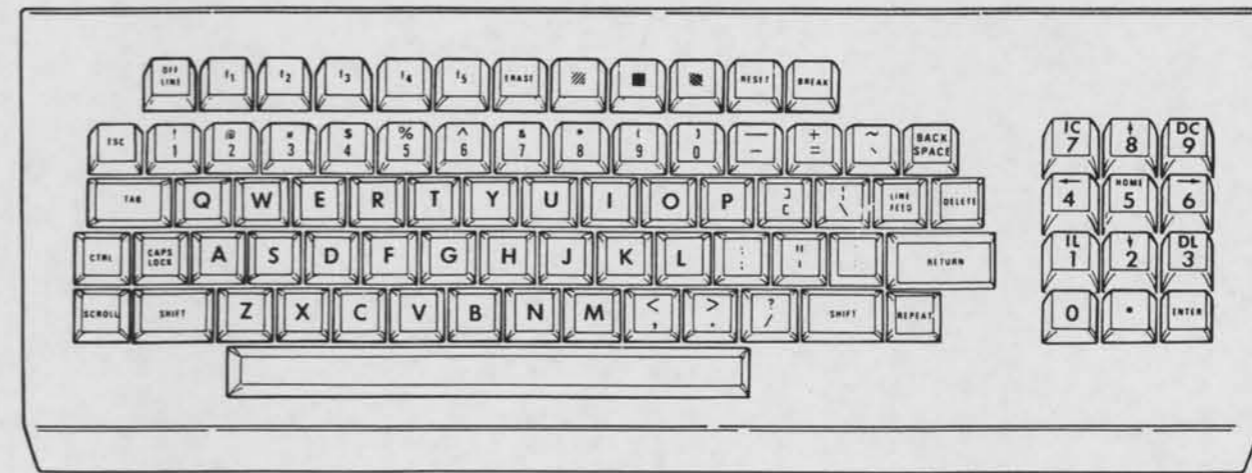
Model Z-89/90

Copyright © 1981
Zenith Data Systems
All Rights Reserved
Printed in the United States of America

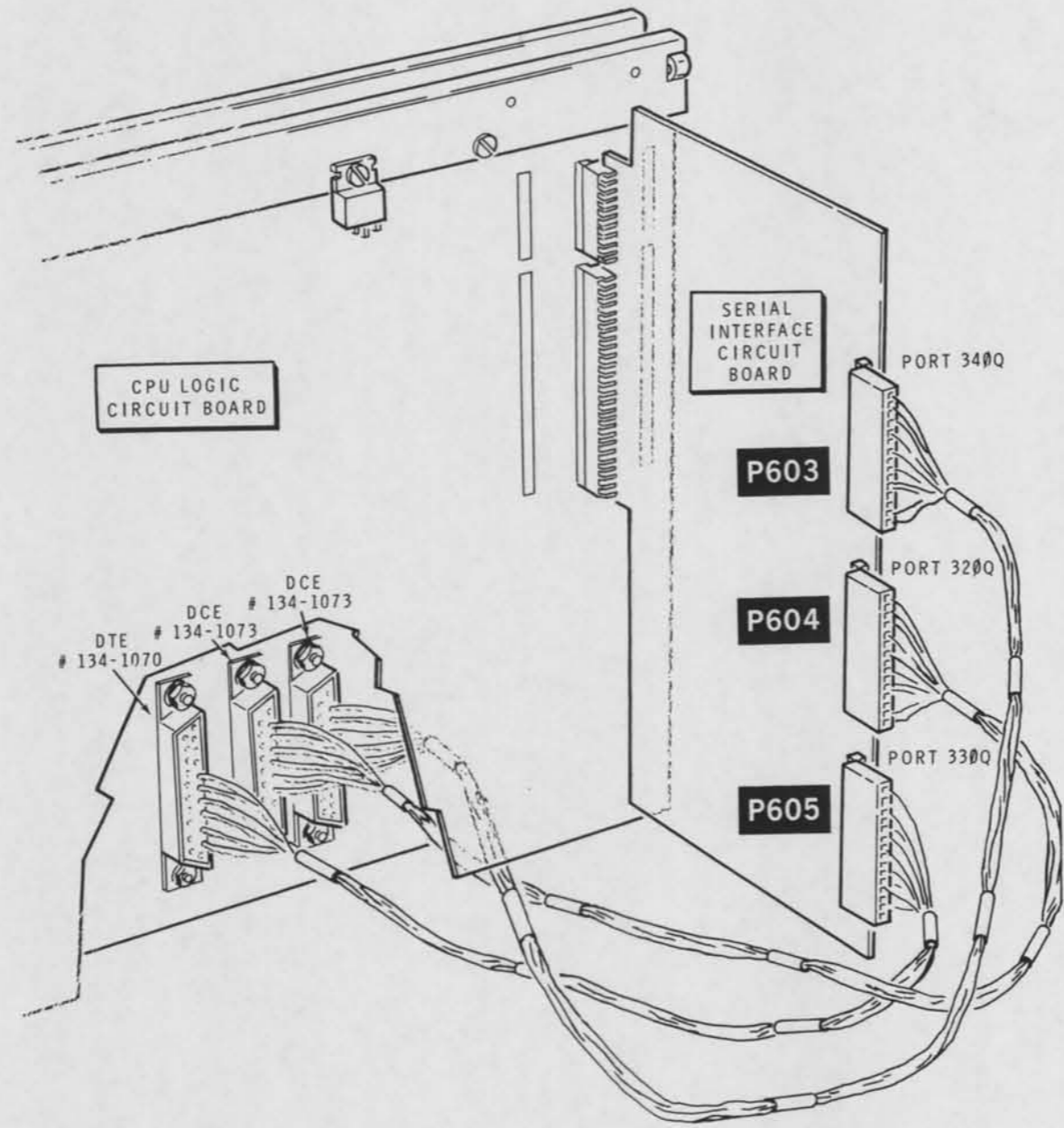




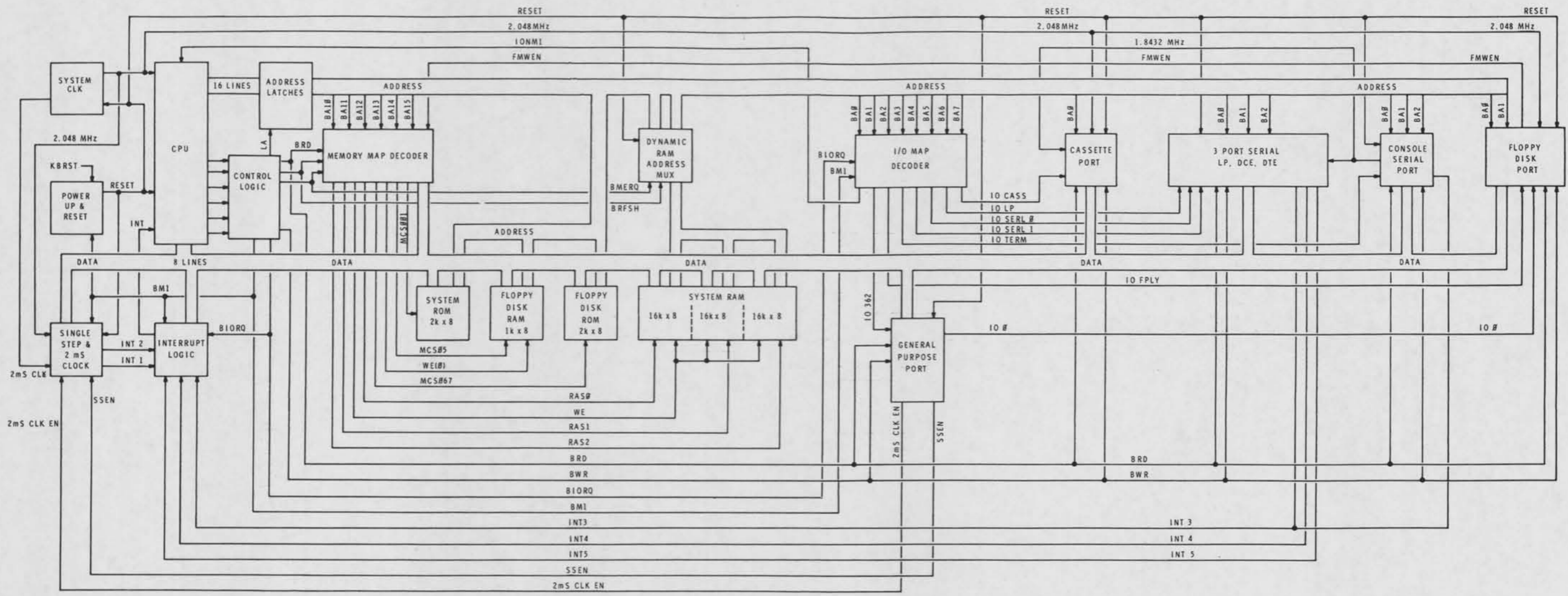
PICTORIAL 4-3



PICTORIAL 5-1

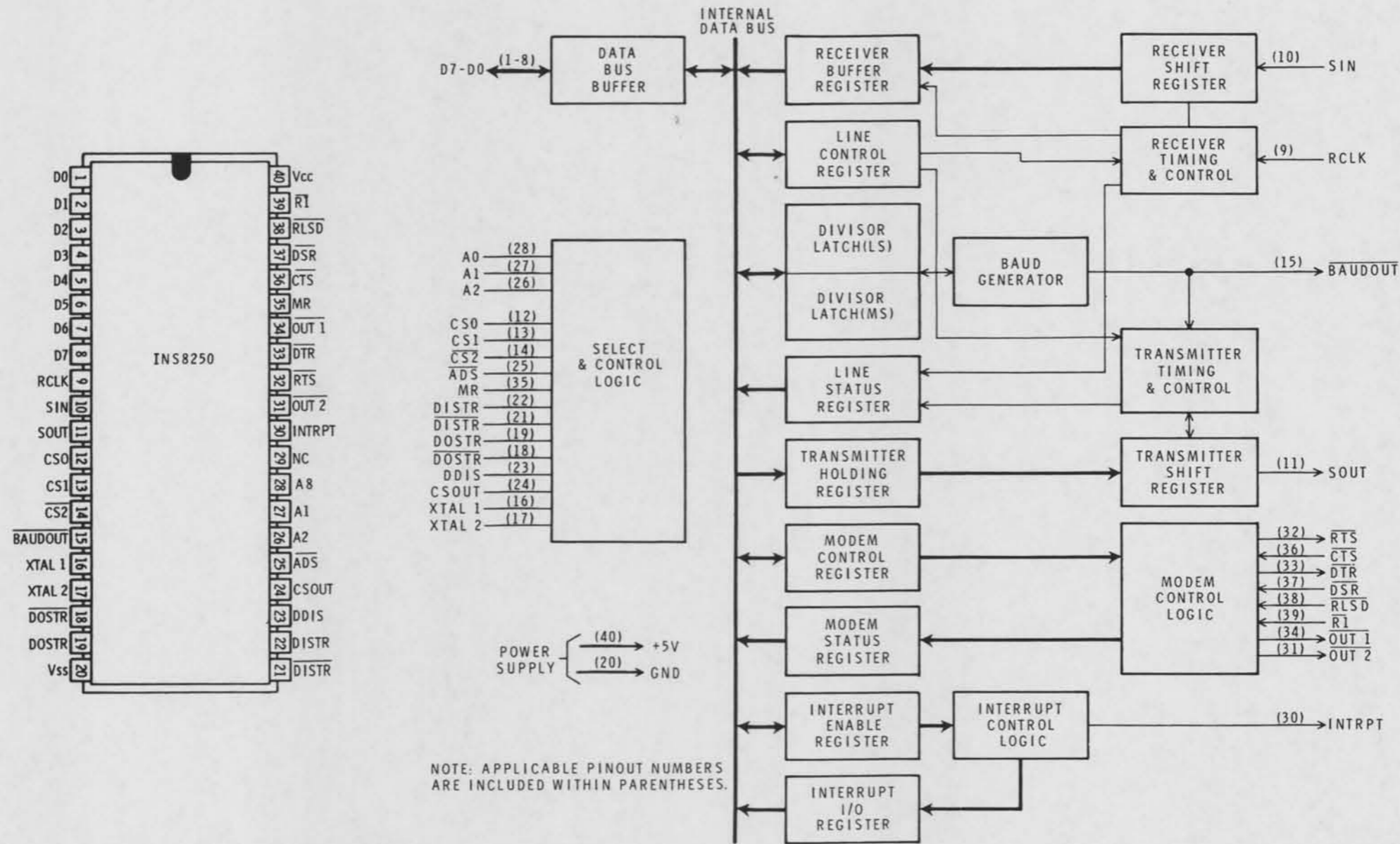


PICTORIAL 5-3



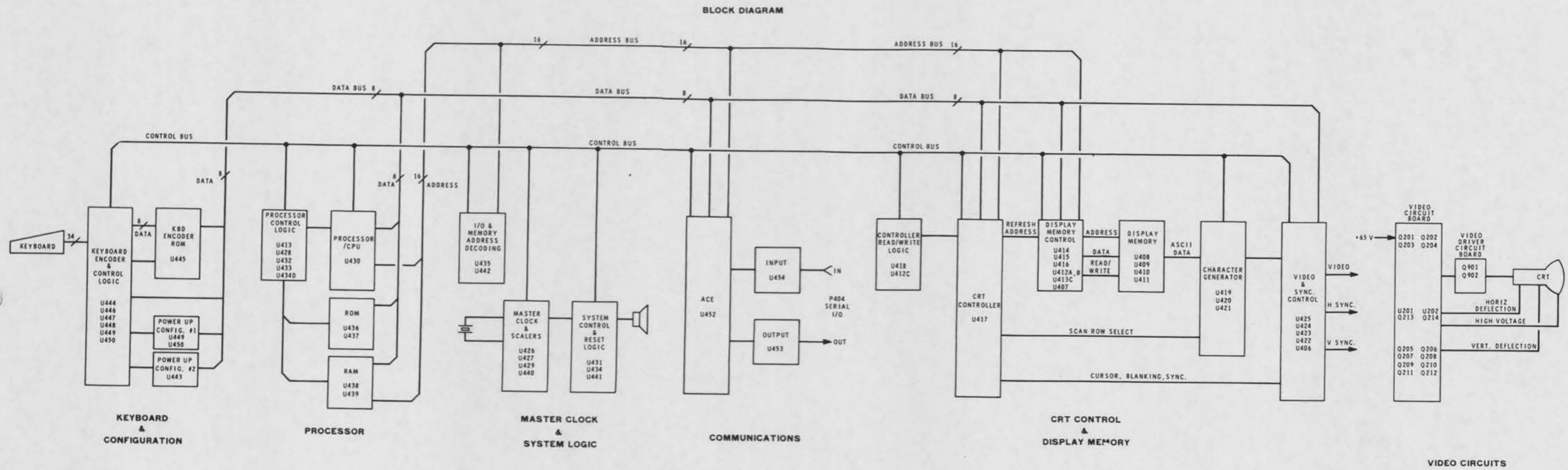
BLOCK DIAGRAM

CPU LOGIC CIRCUIT AND I/O INTERFACE



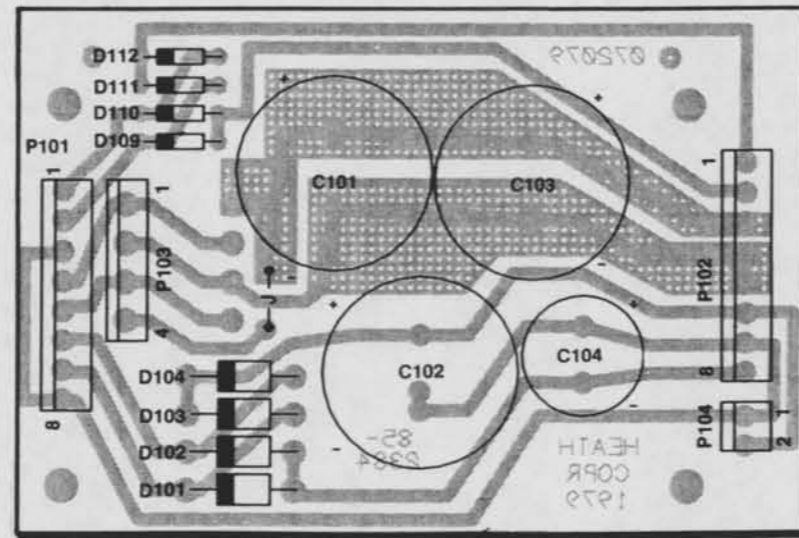
BLOCK DIAGRAM

ASYNCHRONOUS COMMUNICATIONS OF THE ELEMENT (ACE)

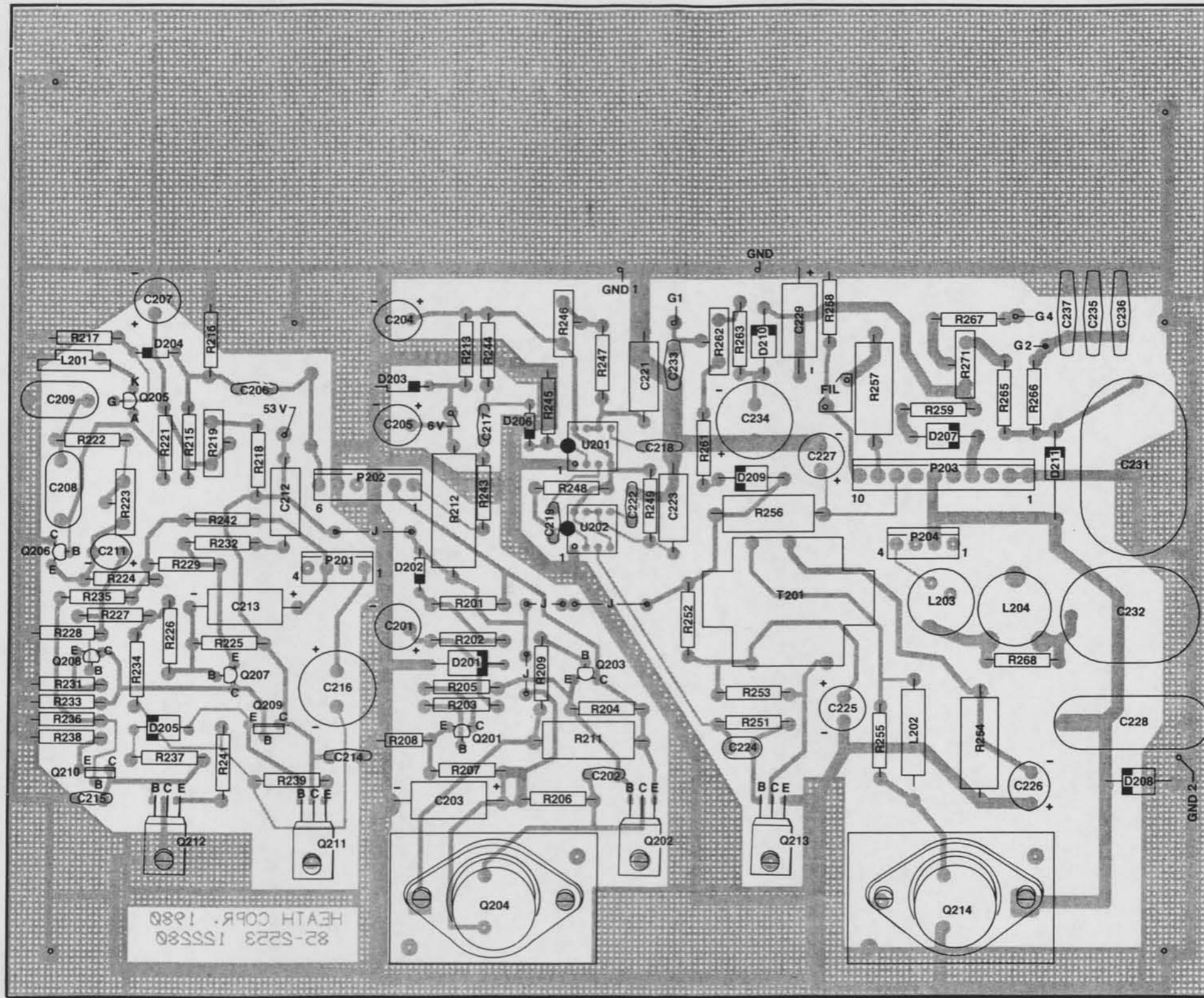


BLOCK DIAGRAM

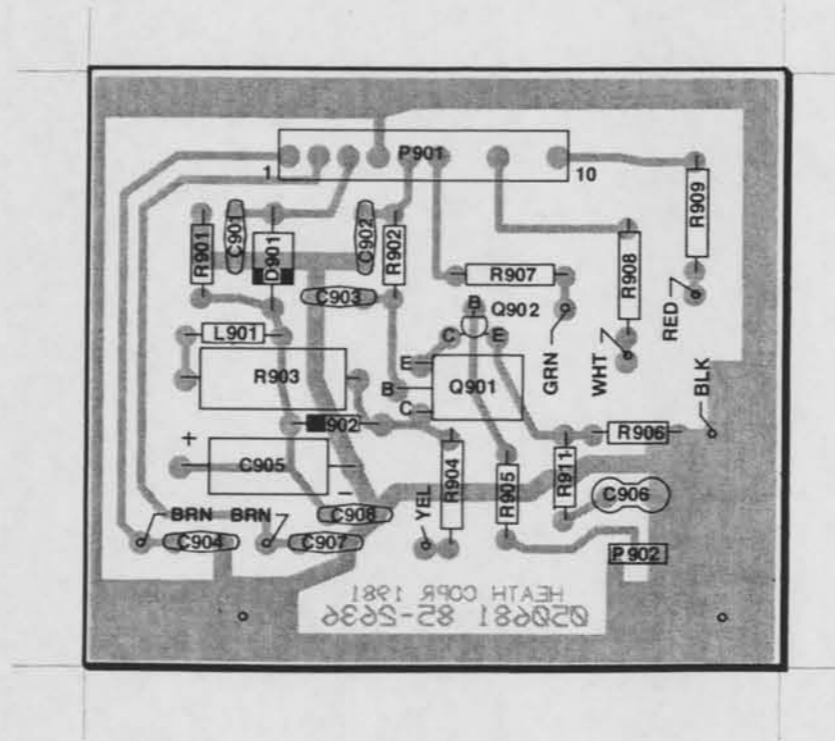
TERMINAL LOGIC AND VIDEO CIRCUITS



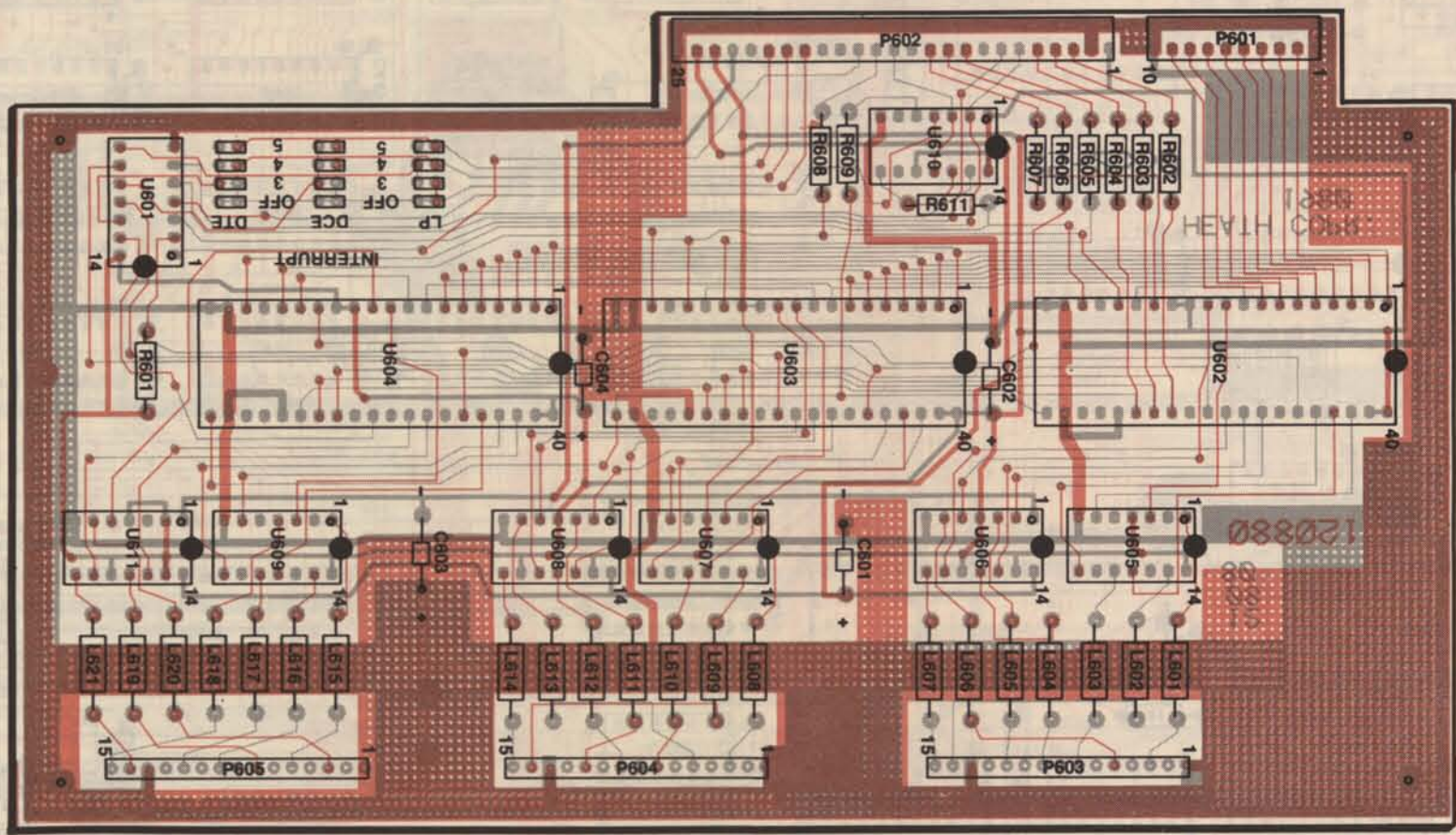
POWER SUPPLY CIRCUIT BOARD
(Shown from component side)



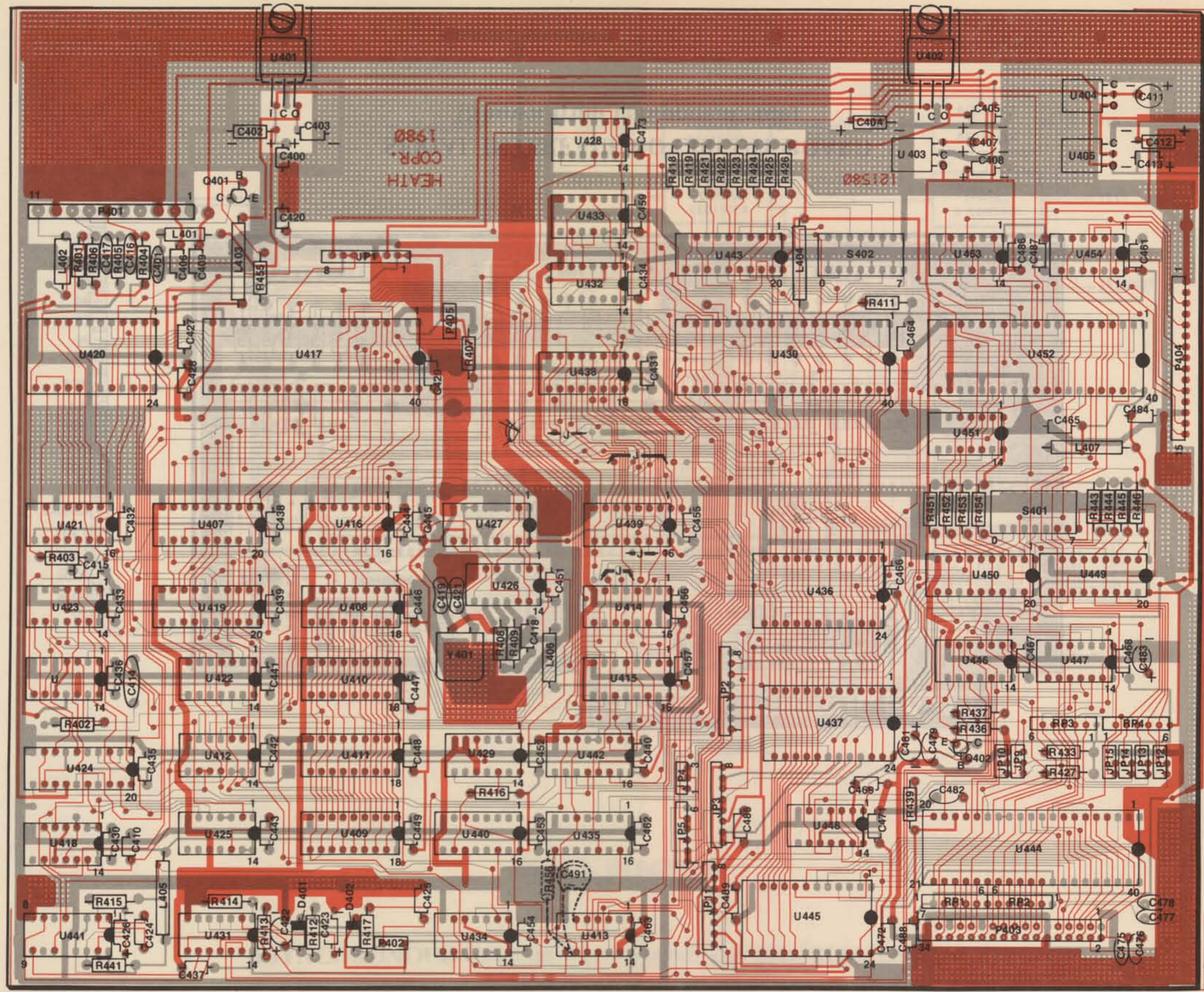
VIDEO CIRCUIT BOARD
(Shown from component side)



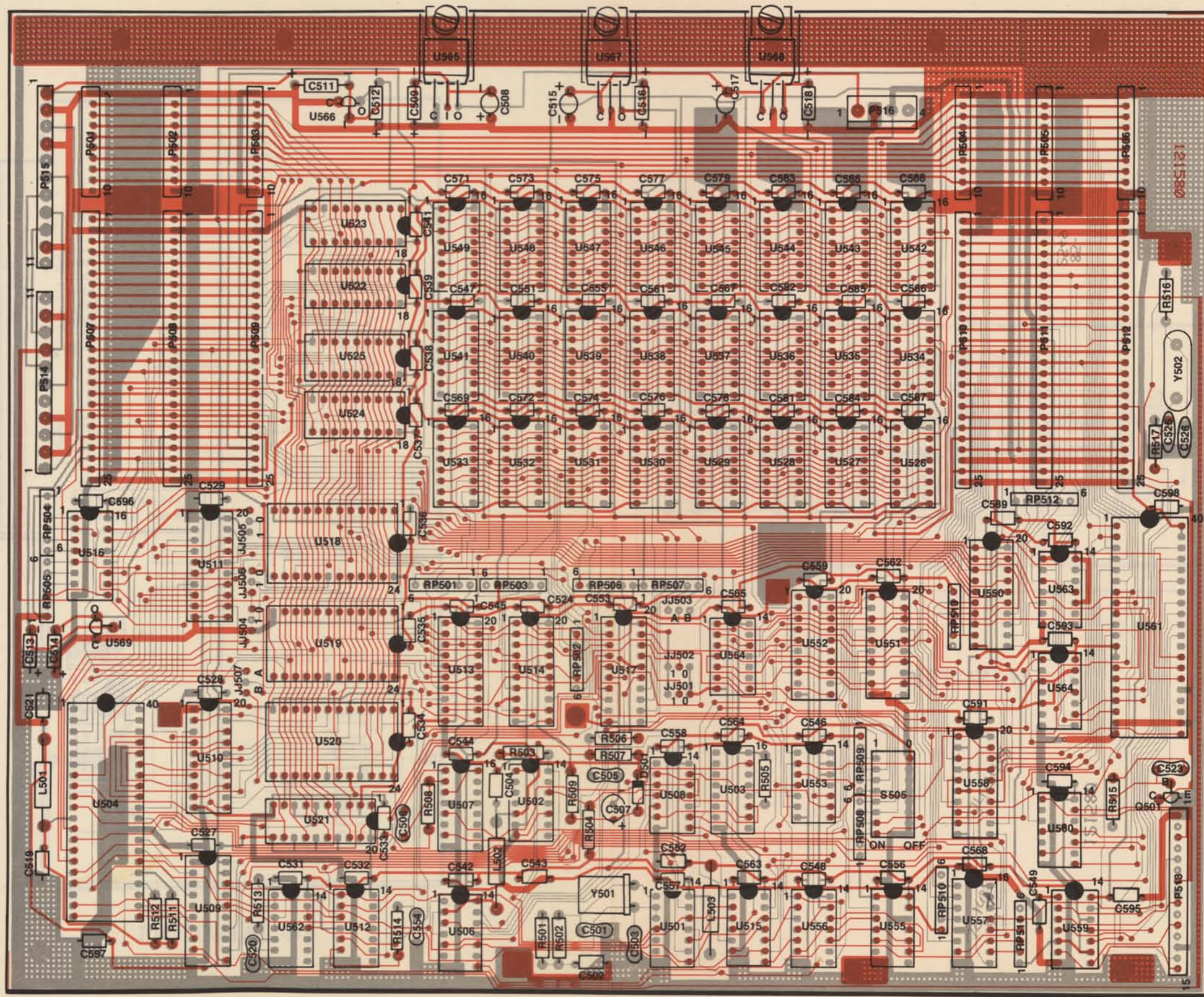
VIDEO DRIVER CIRCUIT BOARD
(Shown from component side)



SERIAL INTERFACE I/O CIRCUIT BOARD
(Shown from component side)



TERMINAL LOGIC CIRCUIT BOARD
(Shown from component side)



CPU LOGIC CIRCUIT BOARD
(Shown from component side)