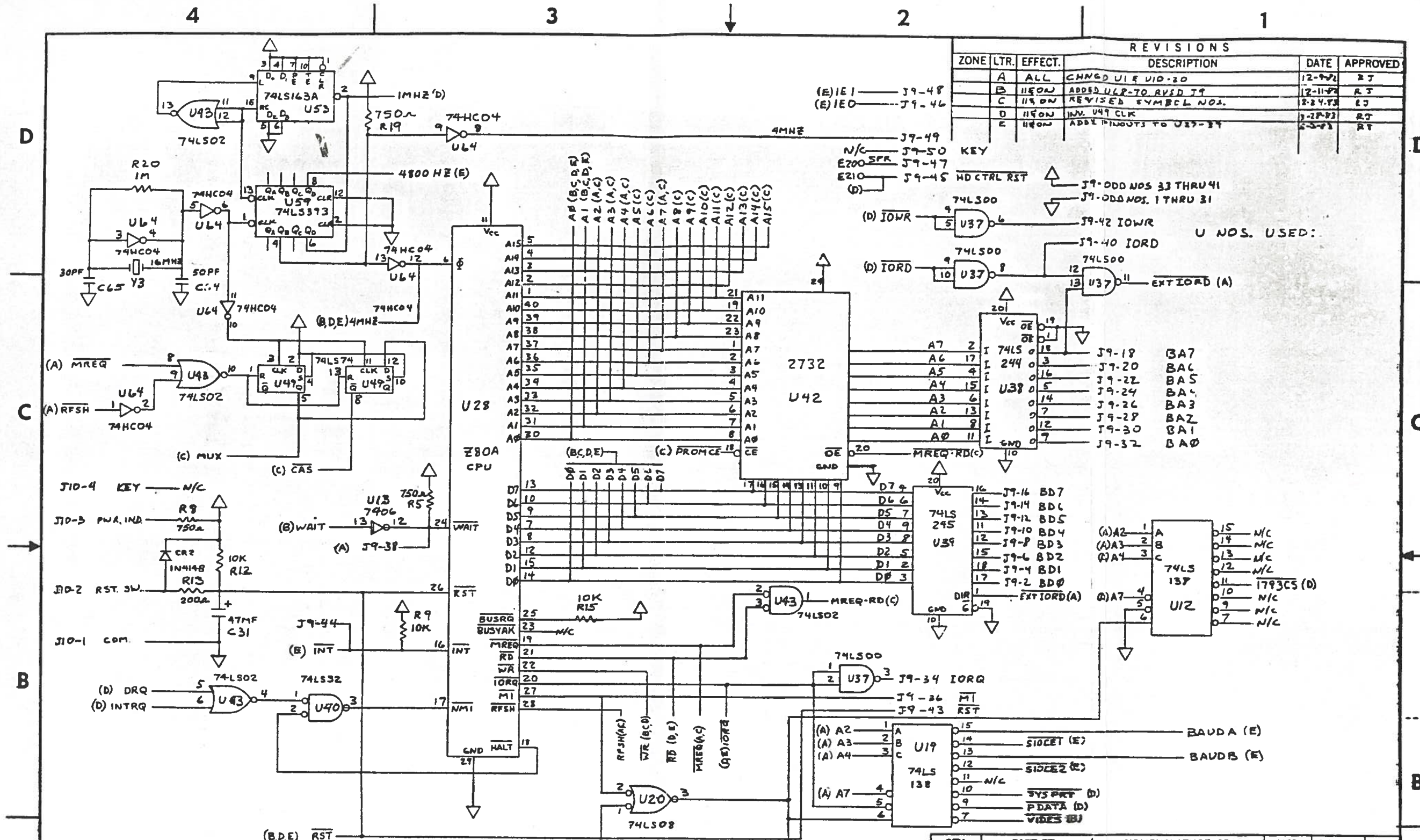


**PROPRIETARY INFORMATION**

Not for distribution or transmission to any other person organization or company without the permission of Non-Linear Systems, Inc.



REVISIONS

ZONE	LTR.	EFFECT.	DESCRIPTION	DATE	APPROVED
A	ALL	CHNGD	UIR VID-20	12-9-79	RJ
B	1150W	ADDED	U49 TO REVISED J9	12-11-79	RJ
C	1150W	REVISED	SYMBOL NOS.	2-24-79	RJ
D	1150W	NEW	U49 CLK	7-27-79	RJ
E	1150W	ADDED	PINOUTS TO U37-U41	2-5-79	RJ

J9-48 (E) IE1  
J9-46 (E) IEO  
J9-49  
KEY J9-50  
E200 SPR J9-47  
E210 J9-45  
(D) HD CTRL RST  
J9-42 IOWR  
J9-40 IORD  
EXT IORD (A)

U NOS. USED:

IC	Part No.	Quantity	Notes
U37	74LS00	2	J9-18
U38	74LS00	1	J9-20
U39	74LS00	1	J9-22
U40	74LS00	1	J9-24
U41	74LS00	1	J9-26
U42	74LS00	1	J9-28
U43	74LS00	1	J9-30
U44	74LS00	1	J9-32
U49	74LS00	1	BA7
U53	74LS00	1	BAC
U59	74LS00	1	BAS
U64	74LS00	1	BA4
U65	74LS00	1	BA3
U66	74LS00	1	BA2
U67	74LS00	1	BA1
U68	74LS00	1	BA0

- SPARE J7-1
- 12V J7-2 TO: U61-1, J2-5
- +12V J7-3 TO: U61-14, J2-2, U55-40
- GND J7-4
- KEY J7-5 N/C
- +5V J7-6

PARTS LIST			
QTY REQD	PART OR IDENTIFYING NO.	NOMENCLATURE OR DESCRIPTION	MFR. CODE

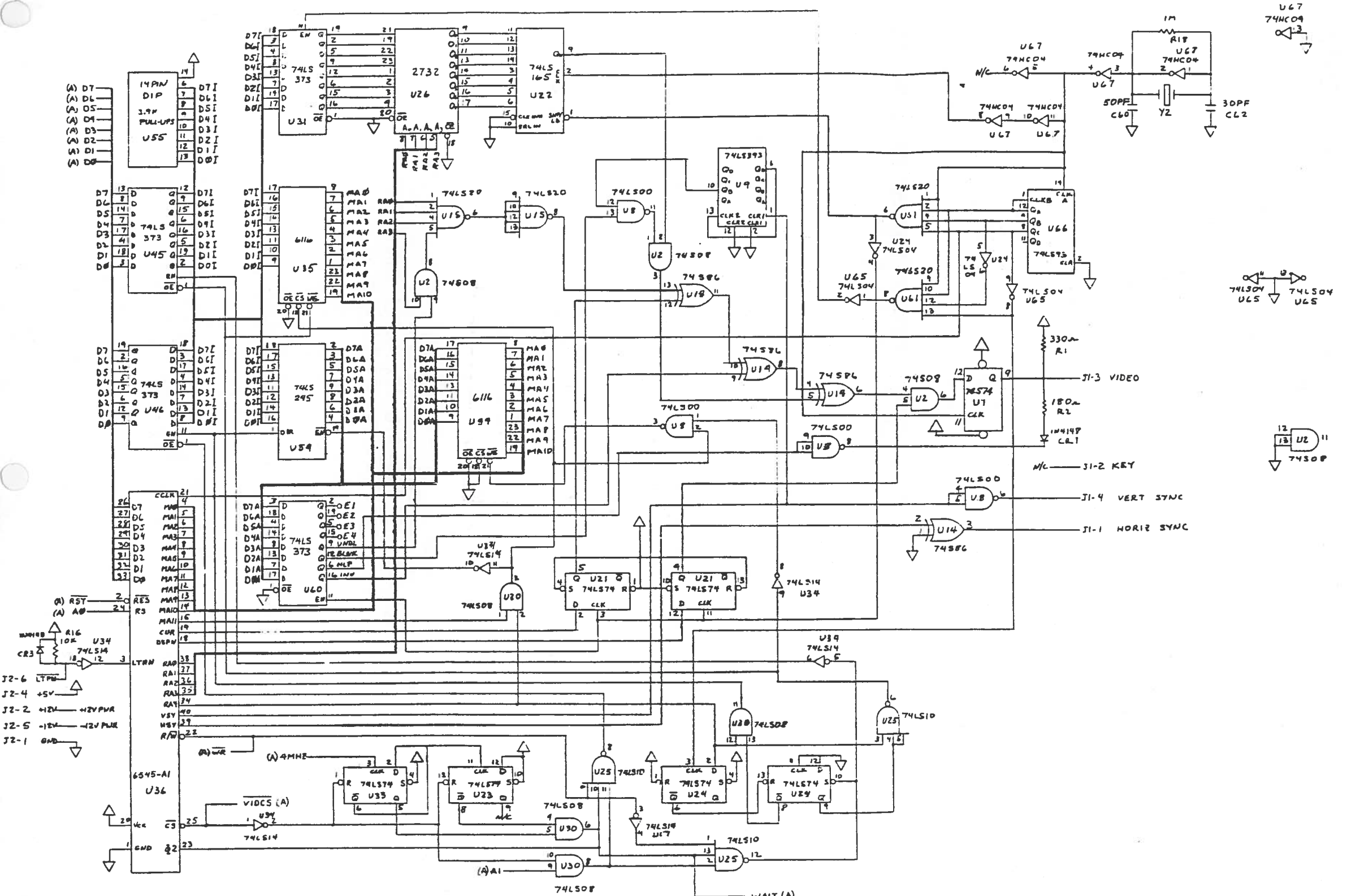
UNLESS OTHERWISE SPECIFIED		CONTR. NO.	
DIMENSIONS ARE IN INCHES		DRAWN	RJ
TOLERANCES ON		CHECK	
DECIMALS	±.010	ANGLES	±0° 30'
FRACTIONS	±1/32	APPR	RJ
MATERIAL		RELEASE DATE	

NON-LINEAR SYSTEMS, INC.		DEL MAR, CALIFORNIA	
SCHEMATIC, PROCESSOR			
KAYPRO 10			
SIZE	CODE IDENT NO.		
C	03626	81-181	
SCALE	WEIGHT	SHEET 2A	

APPLICATION	QTY.

REVISIONS					
ZONE	LTR	EFFECT	DESCRIPTION	DATE	APPROVED
A		ALL	CHG COMMUNICATIONS TO U36 TO 2P632	12-88	AJ
B		2-1-89	ADDED U71	2-1-89	RJ
C		11-88	REVISED SYMBOL NO:	2-7-88	RT



U NOS. USED:

**PROPRIETARY INFORMATION**

Not for distribution or transmission to any other person organization or company without the permission of Non-Linear Systems, Inc.

P.C. BD: 81-180

QTY REQD	PART OR IDENTIFYING NO.	NOMENCLATURE OR DESCRIPTION	MFR CODE	CIRCUIT REF.	ITEM NO.
PARTS LIST					

UNLESS OTHERWISE SPECIFIED:		CONTR. NO.	
DIMENSIONS ARE IN INCHES	TOLERANCES ON DECIMALS = .010	DRAWN	RT
ANGLES = 90°	FRACTIONS = 1/32	CHECK	RT
MATERIAL		APPR	RT
		RELEASE DATE	12-88
		NON-LINEAR SYSTEMS, INC. DEL MAR, CALIFORNIA	
SCHEMATIC, VIDEO			
KEYPAD IO			
SIZE	CODE IDENT NO.		
D	03626	81-180	
SCALE	INCHES	SHEET 2 OF 5	

NEXT ASSY.	FINAL ASSY.	NEXT FINAL ASSY.

4

3

2

1

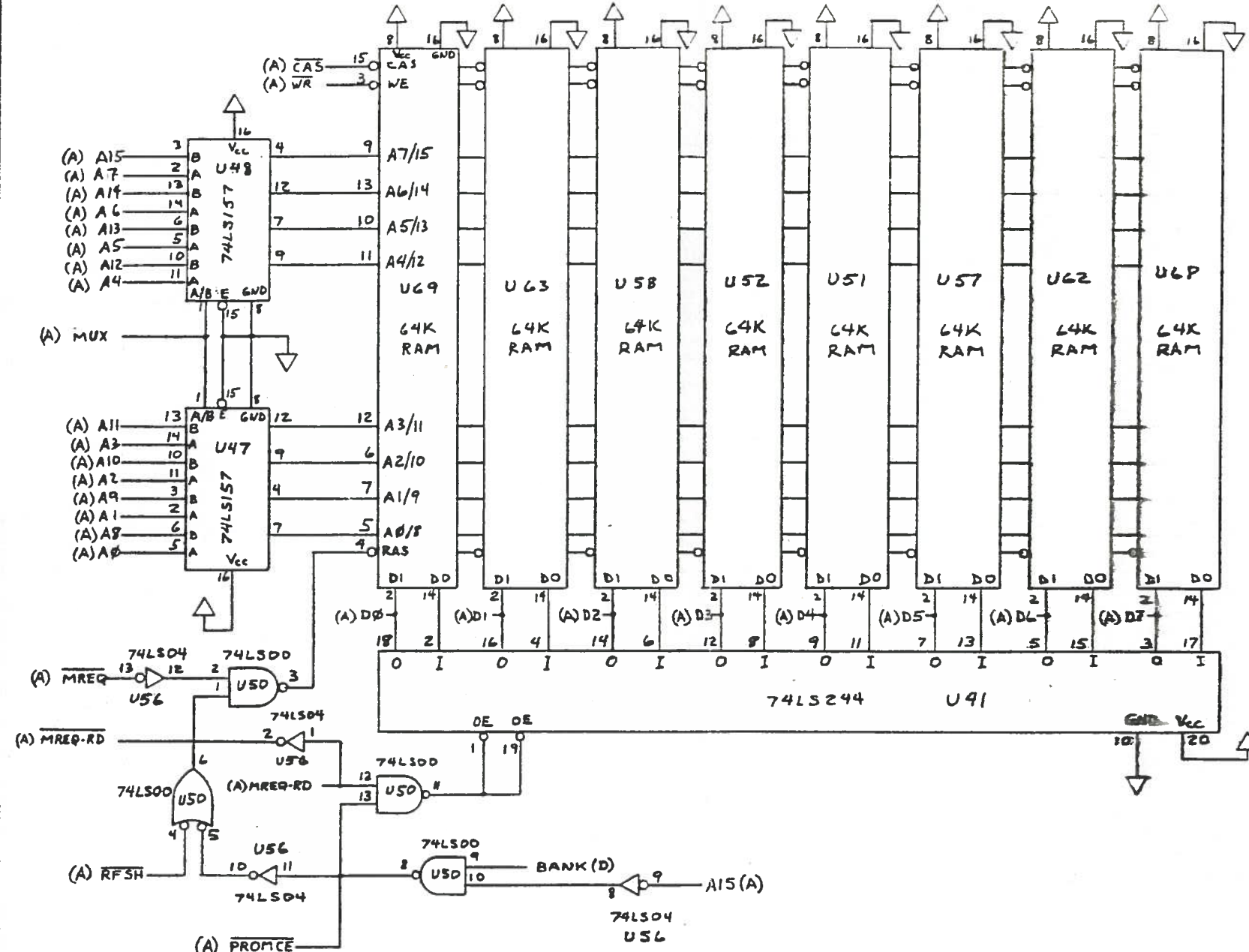
REVISIONS					
ZONE	LTR.	EFFECT.	DESCRIPTION	DATE	APPROVED
A		ALL	ADD COMM. TO U49	12-7-82	RJ
E		1150N	REVISED SYMBOL NOS	2-24-83	RJ

D

C

B

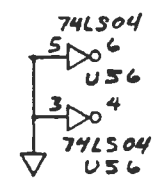
A



U NOS USED:

**PROPRIETARY INFORMATION**

Not for distribution or transmission to any other person organization or company without the permission of Non-Linear Systems, Inc.



QTY REQD	PART OR IDENTIFYING NO.	NOMENCLATURE OR DESCRIPTION	MFR. CODE	CIRCUIT REF.	ITEM NO.
----------	-------------------------	-----------------------------	-----------	--------------	----------

PARTS LIST

UNLESS OTHERWISE SPECIFIED		CONTR. NO.		<b>NON-LINEAR SYSTEMS, INC.</b> DEL MAR, CALIFORNIA	
DIMENSIONS ARE IN INCHES		DRAWN			
TOLERANCES ON		25		10-471	
DECIMALS ± .010		CHECK		12-9-82	
ANGLES ± 0° 30'		APPR		25	
FRACTIONS ± 1/32		RELEASE DATE			
MATERIAL				SCHEMATIC, RAM	
				KAYPRO 10	
		SIZE		CODE IDENT NO.	
		C		03626	
				81-181	
		SCALE		WEIGHT	
				SHEET 2 C	

NEXT ASSY.	FINAL ASSY.	NEXT ASSY.	FINAL ASSY.
APPLICATION		QTY.	

4

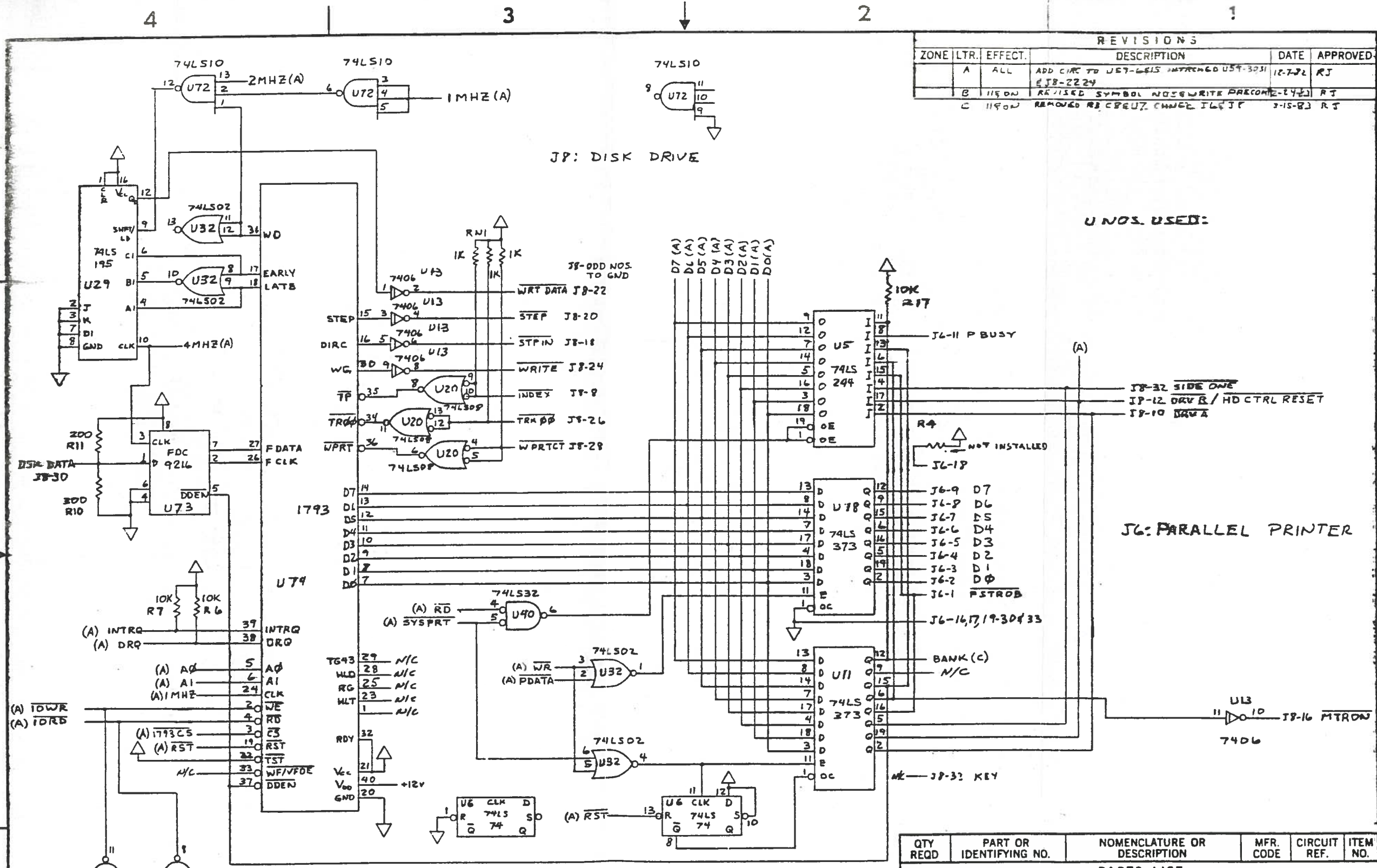
3

2

1

REVISIONS					
ZONE	LTR.	EFFECT.	DESCRIPTION	DATE	APPROVED
A	ALL		ADD CIRC TO J6-16 IS INTERMED 059-3031	12-7-82	RJ
B	115 ON		REMOVED SYMBOL NOSEWRITE PRECOMP-242		RT
C	115 ON		REMOVED R3 CFEU7 CHANGE J6 JF	3-15-83	RT

**PROPRIETARY INFORMATION**  
 Not for distribution or transmission to any other person or organization or company without the permission of Non-Linear Systems, Inc.



U NOS. USED:

J6: PARALLEL PRINTER

QTY REQD	PART OR IDENTIFYING NO.	NOMENCLATURE OR DESCRIPTION	MFR. CODE	CIRCUIT REF.	ITEM NO.

UNLESS OTHERWISE SPECIFIED  
 DIMENSIONS ARE IN INCHES  
 TOLERANCES ON  
 DECIMALS ± .010  
 FRACTIONS ± 1/32  
 ANGLES ± 0° 30'

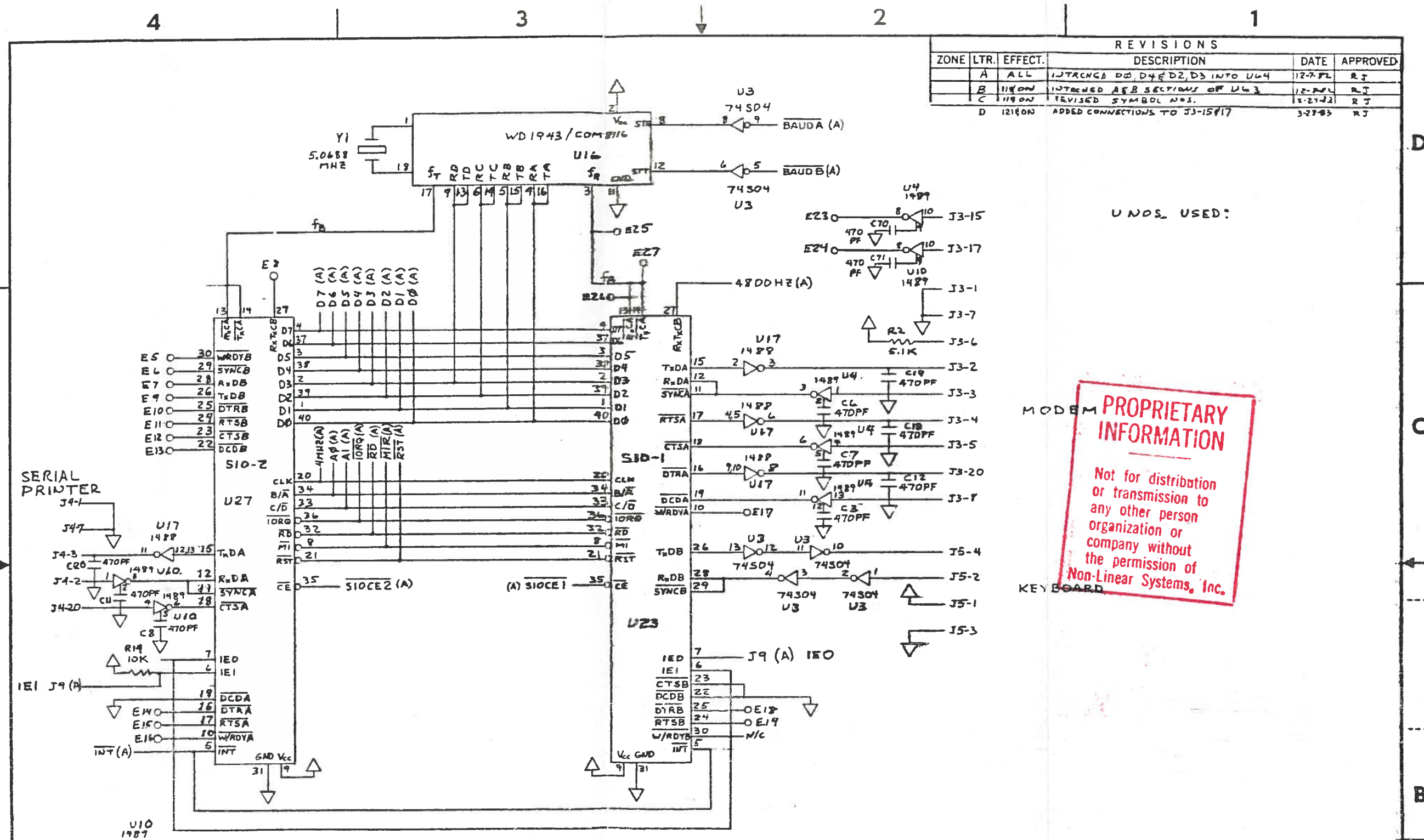
NON-LINEAR SYSTEMS, INC.  
 DEL MAR, CALIFORNIA

SCHEMATIC FLOPPY CONTROL  
 & PARALLEL PRINTER  
 KAYPRO 10

SIZE CODE IDENT NO.  
 C 03626 81-181

APPLICATION	QTY.

SCALE WEIGHT SHEET 2 D



REVISIONS					
ZONE	LTR.	EFFECT.	DESCRIPTION	DATE	APPROVED
A	ALL		INTRNGD D0, D4 & D2, D3 INTO U64	12-2-82	RJ
B	1180N		INTRNGD A&B SECTIONS OF U63	12-2-82	RJ
C	1180N		REVISED SYMBOL NOS.	12-21-82	RJ
D	12180N		ADDED CONNECTIONS TO J3-15/17	3-27-83	RJ

UNOS. USED:

**PROPRIETARY INFORMATION**

Not for distribution or transmission to any other person or organization or company without the permission of Non-Linear Systems, Inc.

QTY REQD	PART OR IDENTIFYING NO.	NOMENCLATURE OR DESCRIPTION	MFR. CODE	CIRCUIT REF.	ITEM NO.
----------	-------------------------	-----------------------------	-----------	--------------	----------

**NON-LINEAR SYSTEMS, INC.**  
DEL MAR, CALIFORNIA

SCHEMATIC, SERIAL PORTS

KAYPRO 10

SIZE	CODE IDENT NO.	
C	03626	81-181
SCALE	WEIGHT	SHEET 2 E

UNLESS OTHERWISE SPECIFIED  
DIMENSIONS ARE IN INCHES  
TOLERANCES ON  
DECIMALS ± .010  
FRACTIONS ± 1/32

CONTR. NO.  
DRAWN R J  
CHECK  
APPR R J  
RELEASE DATE

MATERIAL	APPLICATION	QTY.

NEXT ASSY.	FINA. ASSY.	NEXT FINAL ASSY.	FINAL ASSY.