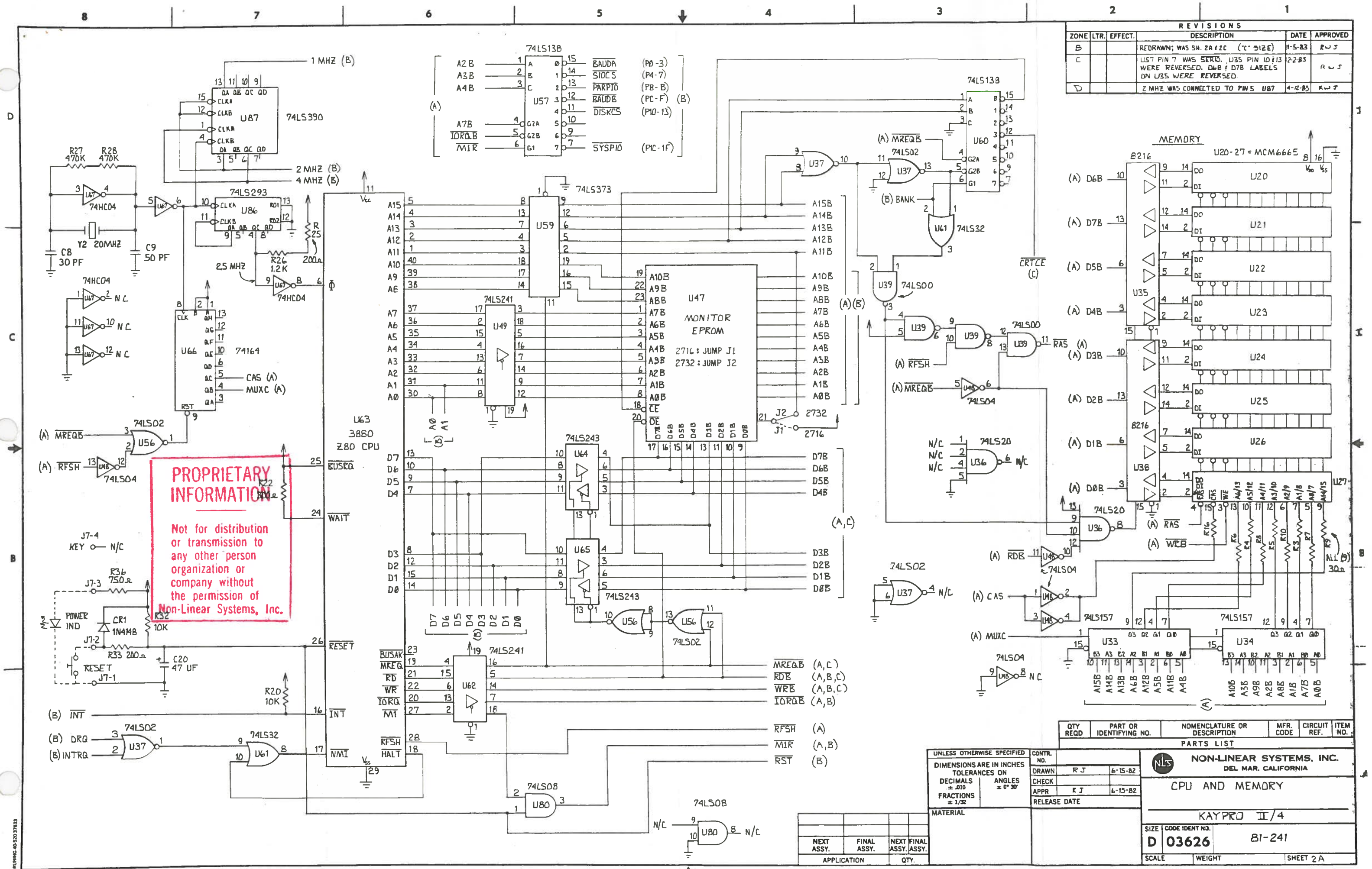


REVISIONS					
ZONE	LTR.	EFFECT.	DESCRIPTION	DATE	APPROVED
B			REDRAWN; WAS SH. 2A 12C ('C' SIZE)	1-5-83	R J J
C			LIST PIN 7 WAS SERVO. U35 PIN 10 & 13 WERE REVERSED. D6B & D7B LABELS ON U35 WERE REVERSED.	2-2-83	R J J
D			2 MHZ WAS CONNECTED TO PINS U87	4-12-83	R J J



PROPRIETARY INFORMATION
 Not for distribution or transmission to any other person organization or company without the permission of Non-Linear Systems, Inc.

QTY REQD	PART OR IDENTIFYING NO.	NOMENCLATURE OR DESCRIPTION	MFR. CODE	CIRCUIT REF.	ITEM NO.
PARTS LIST					

UNLESS OTHERWISE SPECIFIED		CONTR. NO.
DIMENSIONS ARE IN INCHES		DRAWN R J 6-15-82
DECIMALS ± .010	ANGLES ± 0° 30'	CHECK
FRACTIONS ± 1/32		APPR R J 6-15-82
		RELEASE DATE

NON-LINEAR SYSTEMS, INC.
DEL MAR, CALIFORNIA

CPU AND MEMORY

KAYPRO II/4

SIZE	CODE IDENT NO.	
D	03626	81-241
SCALE	WEIGHT	SHEET 2 A

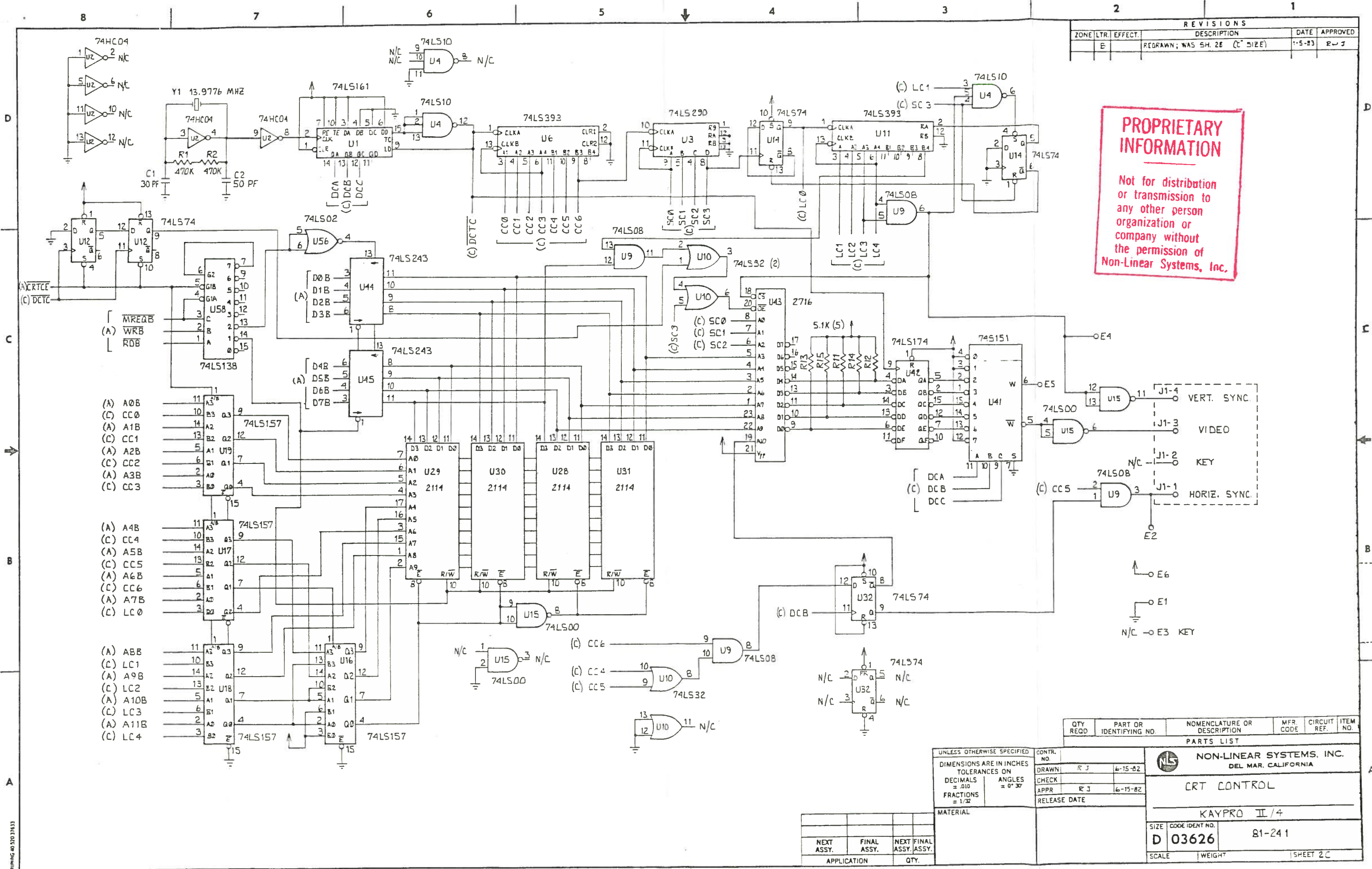
NEXT ASSY.	FINAL ASSY.	NEXT FINAL ASSY.	QTY.

BUCHHEIM 40-520-37123

REVISIONS					
ZONE	LTR.	EFFECT.	DESCRIPTION	DATE	APPROVED
	E		REDRAWN; WAS SH. 2E (C SIZE)	1-5-83	R J

PROPRIETARY INFORMATION

Not for distribution or transmission to any other person organization or company without the permission of Non-Linear Systems, Inc.



QTY REQD	PART OR IDENTIFYING NO.	NOMENCLATURE OR DESCRIPTION	MFR. CODE	CIRCUIT REF.	ITEM NO.
PARTS LIST					
NON-LINEAR SYSTEMS, INC. DEL MAR, CALIFORNIA					
CRT CONTROL					
KAYPRO II/4					
SIZE	CODE IDENT NO.	81-241			
D	03626				
SCALE	WEIGHT	SHEET 2C			

UNLESS OTHERWISE SPECIFIED
 DIMENSIONS ARE IN INCHES
 TOLERANCES ON
 DECIMALS = .010
 FRACTIONS = 1/32

CONTR. NO. _____
 DRAWN R J 6-15-82
 CHECK _____
 APPR R J 6-15-82
 RELEASE DATE _____

MATERIAL _____

NEXT ASSY.	FINAL ASSY.	NEXT FINAL ASSY.	FINAL ASSY.
APPLICATION		QTY.	

DRAWING NO 320 37633