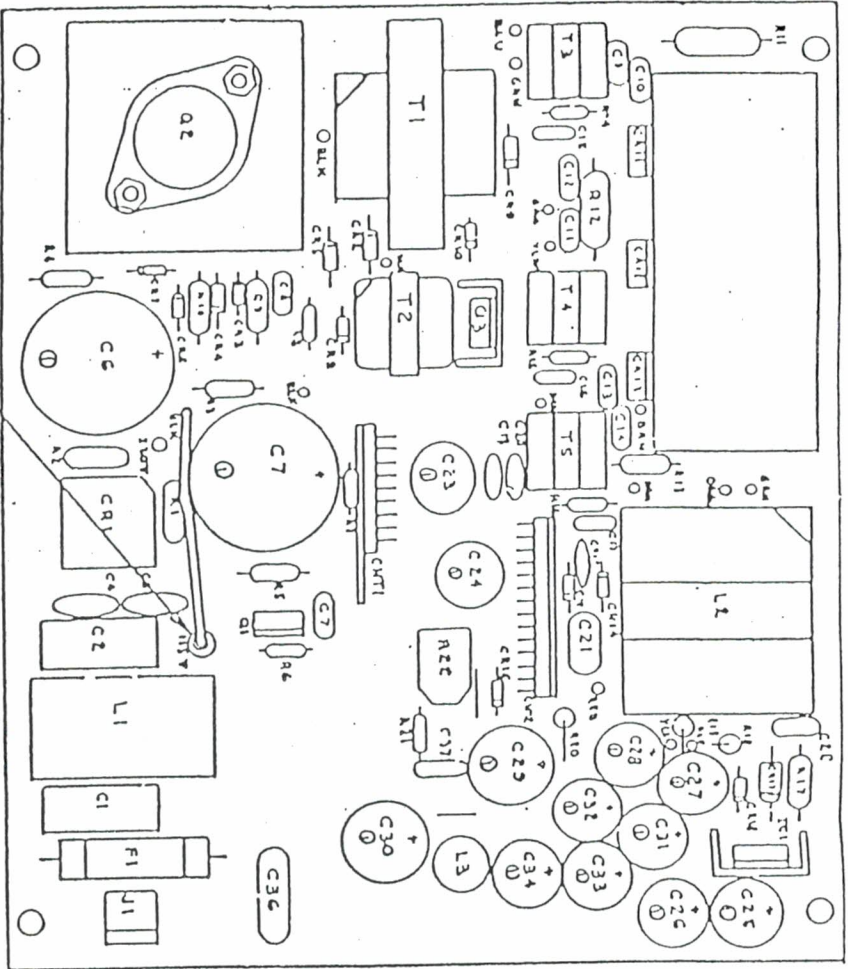
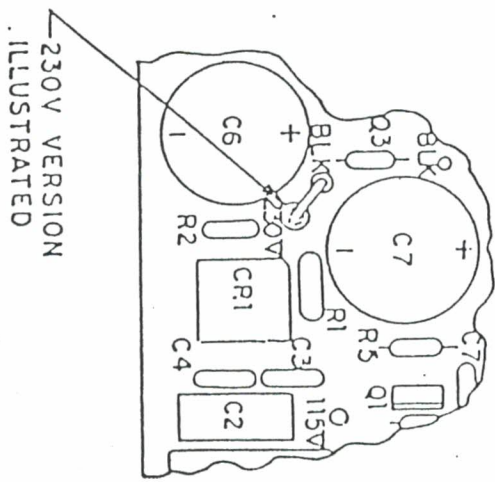


MODEL 21145

EXCELTRONIX COMPONENTS & COMPUTING INC.
 319 COLLEGE STREET
 TORONTO, ONTARIO
 M5T 1S2



115V VERSION
 ILLUSTRATED

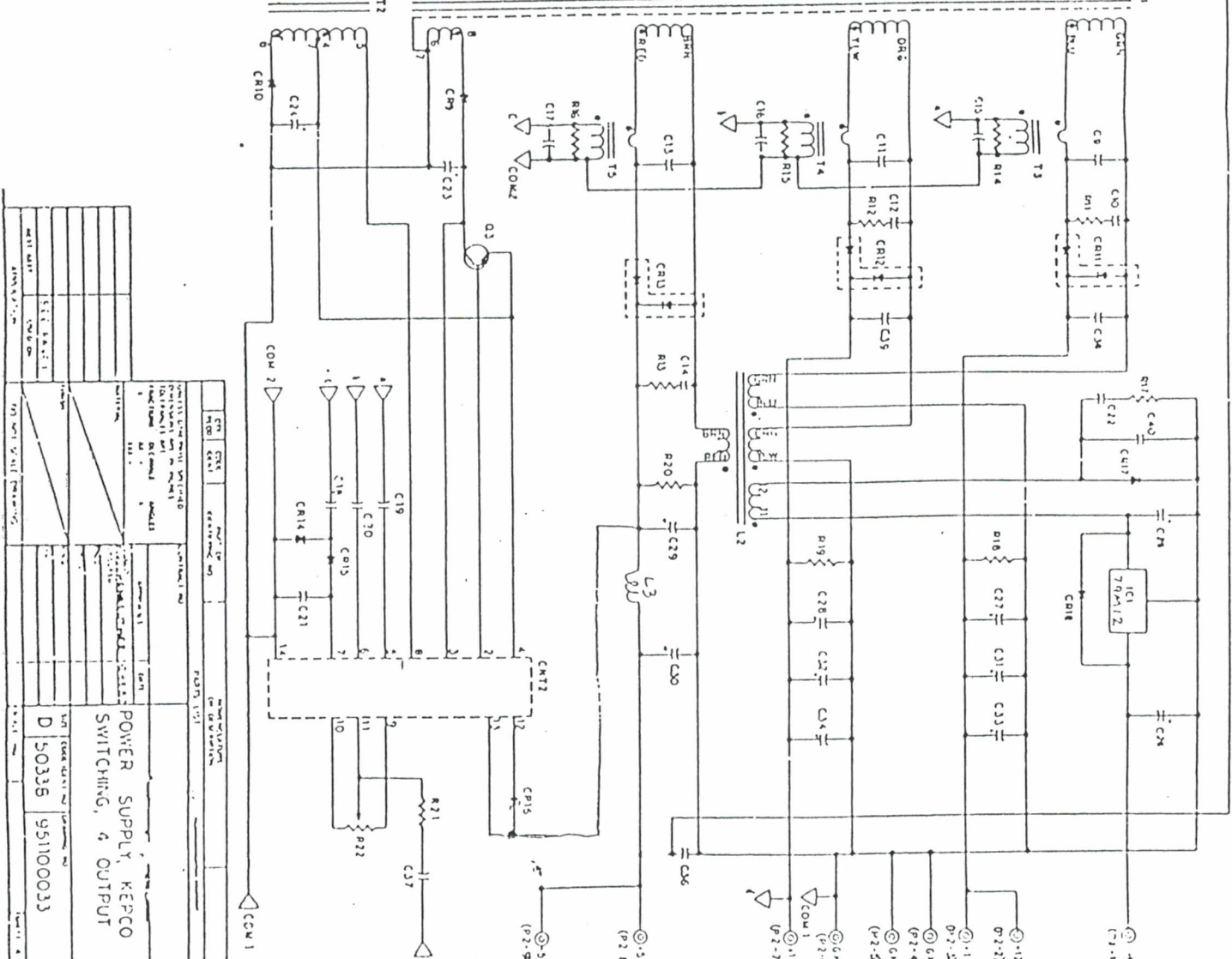
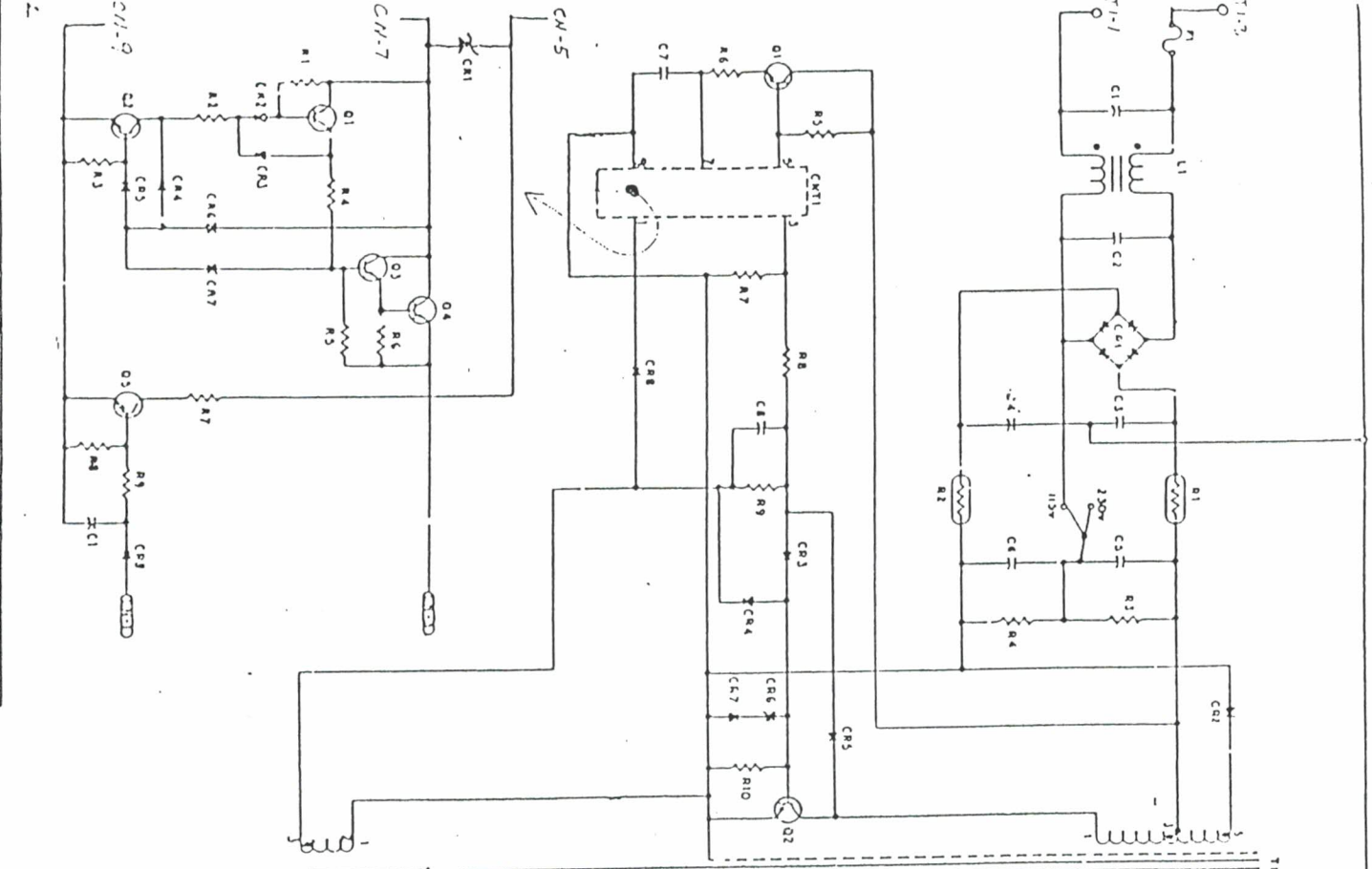


230V VERSION
 ILLUSTRATED

UNLESS OTHERWISE SPECIFIED DIMENSIONS ARE FRACTIONS DECIMALS MILLIS		CONTRACT NO.	
ASSEMBLY	DATE	DATE	DATE
DESIGNED BY	DATE	DATE	DATE
CHECKED BY	DATE	DATE	DATE
TESTED BY	DATE	DATE	DATE
APPROVED BY	DATE	DATE	DATE
SCALE	SCALE	SCALE	SCALE
SEE PAGE 1	DO NOT SCALE DRAWING		
REV	REV	REV	REV
50338951100033E	50338951100033E	50338951100033E	50338951100033E
SCALE HALF	SCALE HALF	SCALE HALF	SCALE HALF
SHEET 5 OF 6	SHEET 5 OF 6	SHEET 5 OF 6	SHEET 5 OF 6

REVISIONS			
NO.	DATE	DESCRIPTION	APPROVED



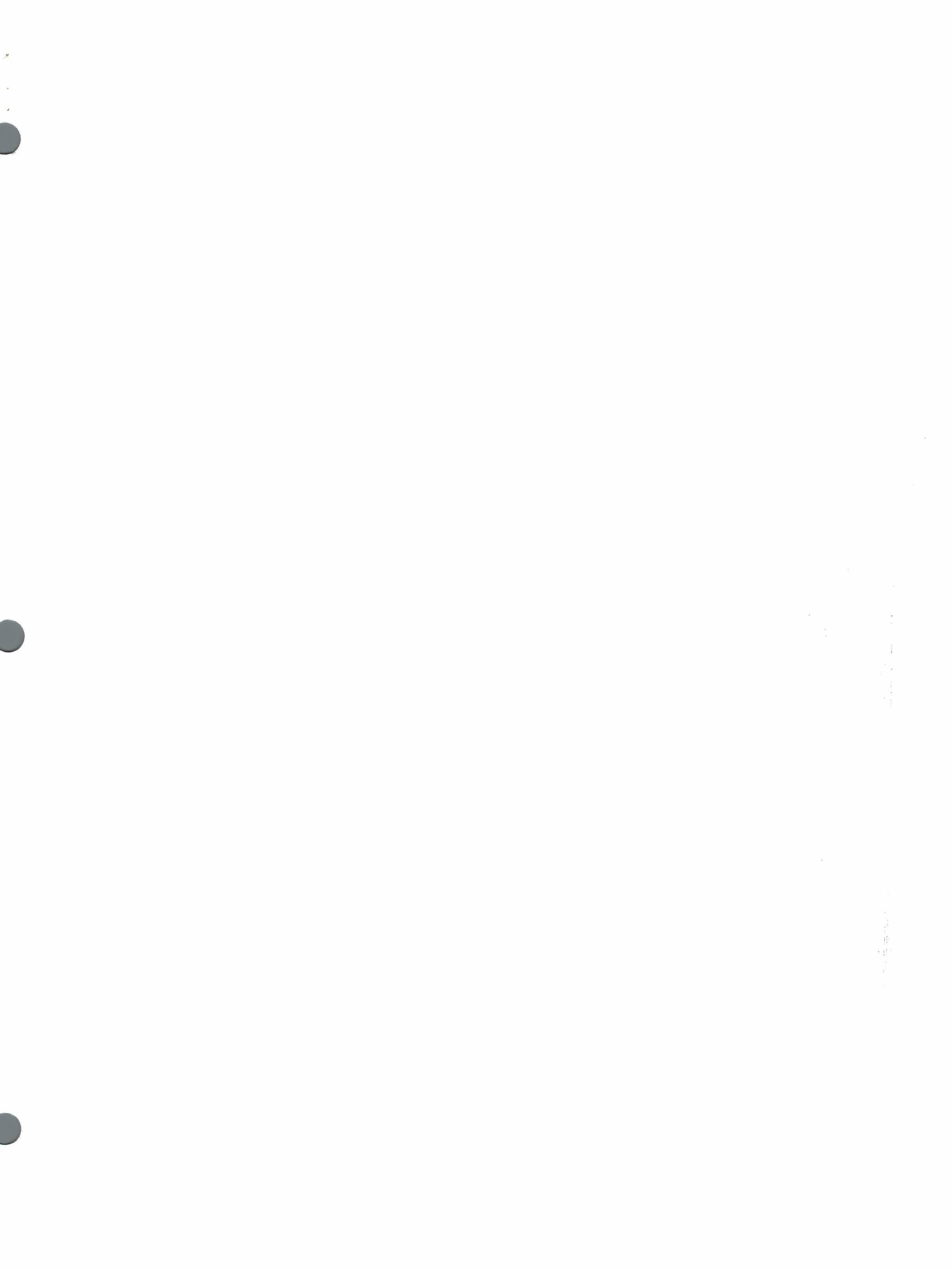


ITEM NO.	DESCRIPTION	QTY	UNIT
1	RESISTOR 100 OHMS 1/4W	10	RES
2	RESISTOR 100 OHMS 1/4W	10	RES
3	RESISTOR 100 OHMS 1/4W	10	RES
4	RESISTOR 100 OHMS 1/4W	10	RES
5	RESISTOR 100 OHMS 1/4W	10	RES
6	RESISTOR 100 OHMS 1/4W	10	RES
7	RESISTOR 100 OHMS 1/4W	10	RES
8	RESISTOR 100 OHMS 1/4W	10	RES
9	RESISTOR 100 OHMS 1/4W	10	RES
10	RESISTOR 100 OHMS 1/4W	10	RES
11	RESISTOR 100 OHMS 1/4W	10	RES
12	RESISTOR 100 OHMS 1/4W	10	RES
13	RESISTOR 100 OHMS 1/4W	10	RES
14	RESISTOR 100 OHMS 1/4W	10	RES
15	RESISTOR 100 OHMS 1/4W	10	RES
16	RESISTOR 100 OHMS 1/4W	10	RES
17	RESISTOR 100 OHMS 1/4W	10	RES
18	RESISTOR 100 OHMS 1/4W	10	RES
19	RESISTOR 100 OHMS 1/4W	10	RES
20	RESISTOR 100 OHMS 1/4W	10	RES
21	RESISTOR 100 OHMS 1/4W	10	RES
22	RESISTOR 100 OHMS 1/4W	10	RES
23	RESISTOR 100 OHMS 1/4W	10	RES
24	RESISTOR 100 OHMS 1/4W	10	RES
25	RESISTOR 100 OHMS 1/4W	10	RES
26	RESISTOR 100 OHMS 1/4W	10	RES
27	RESISTOR 100 OHMS 1/4W	10	RES
28	RESISTOR 100 OHMS 1/4W	10	RES
29	RESISTOR 100 OHMS 1/4W	10	RES
30	RESISTOR 100 OHMS 1/4W	10	RES
31	RESISTOR 100 OHMS 1/4W	10	RES
32	RESISTOR 100 OHMS 1/4W	10	RES
33	RESISTOR 100 OHMS 1/4W	10	RES
34	RESISTOR 100 OHMS 1/4W	10	RES
35	RESISTOR 100 OHMS 1/4W	10	RES
36	RESISTOR 100 OHMS 1/4W	10	RES
37	RESISTOR 100 OHMS 1/4W	10	RES
38	RESISTOR 100 OHMS 1/4W	10	RES
39	RESISTOR 100 OHMS 1/4W	10	RES
40	RESISTOR 100 OHMS 1/4W	10	RES
41	RESISTOR 100 OHMS 1/4W	10	RES
42	RESISTOR 100 OHMS 1/4W	10	RES
43	RESISTOR 100 OHMS 1/4W	10	RES
44	RESISTOR 100 OHMS 1/4W	10	RES
45	RESISTOR 100 OHMS 1/4W	10	RES
46	RESISTOR 100 OHMS 1/4W	10	RES
47	RESISTOR 100 OHMS 1/4W	10	RES
48	RESISTOR 100 OHMS 1/4W	10	RES
49	RESISTOR 100 OHMS 1/4W	10	RES
50	RESISTOR 100 OHMS 1/4W	10	RES
51	RESISTOR 100 OHMS 1/4W	10	RES
52	RESISTOR 100 OHMS 1/4W	10	RES
53	RESISTOR 100 OHMS 1/4W	10	RES
54	RESISTOR 100 OHMS 1/4W	10	RES
55	RESISTOR 100 OHMS 1/4W	10	RES
56	RESISTOR 100 OHMS 1/4W	10	RES
57	RESISTOR 100 OHMS 1/4W	10	RES
58	RESISTOR 100 OHMS 1/4W	10	RES
59	RESISTOR 100 OHMS 1/4W	10	RES
60	RESISTOR 100 OHMS 1/4W	10	RES
61	RESISTOR 100 OHMS 1/4W	10	RES
62	RESISTOR 100 OHMS 1/4W	10	RES
63	RESISTOR 100 OHMS 1/4W	10	RES
64	RESISTOR 100 OHMS 1/4W	10	RES
65	RESISTOR 100 OHMS 1/4W	10	RES
66	RESISTOR 100 OHMS 1/4W	10	RES
67	RESISTOR 100 OHMS 1/4W	10	RES
68	RESISTOR 100 OHMS 1/4W	10	RES
69	RESISTOR 100 OHMS 1/4W	10	RES
70	RESISTOR 100 OHMS 1/4W	10	RES
71	RESISTOR 100 OHMS 1/4W	10	RES
72	RESISTOR 100 OHMS 1/4W	10	RES
73	RESISTOR 100 OHMS 1/4W	10	RES
74	RESISTOR 100 OHMS 1/4W	10	RES
75	RESISTOR 100 OHMS 1/4W	10	RES
76	RESISTOR 100 OHMS 1/4W	10	RES
77	RESISTOR 100 OHMS 1/4W	10	RES
78	RESISTOR 100 OHMS 1/4W	10	RES
79	RESISTOR 100 OHMS 1/4W	10	RES
80	RESISTOR 100 OHMS 1/4W	10	RES
81	RESISTOR 100 OHMS 1/4W	10	RES
82	RESISTOR 100 OHMS 1/4W	10	RES
83	RESISTOR 100 OHMS 1/4W	10	RES
84	RESISTOR 100 OHMS 1/4W	10	RES
85	RESISTOR 100 OHMS 1/4W	10	RES
86	RESISTOR 100 OHMS 1/4W	10	RES
87	RESISTOR 100 OHMS 1/4W	10	RES
88	RESISTOR 100 OHMS 1/4W	10	RES
89	RESISTOR 100 OHMS 1/4W	10	RES
90	RESISTOR 100 OHMS 1/4W	10	RES
91	RESISTOR 100 OHMS 1/4W	10	RES
92	RESISTOR 100 OHMS 1/4W	10	RES
93	RESISTOR 100 OHMS 1/4W	10	RES
94	RESISTOR 100 OHMS 1/4W	10	RES
95	RESISTOR 100 OHMS 1/4W	10	RES
96	RESISTOR 100 OHMS 1/4W	10	RES
97	RESISTOR 100 OHMS 1/4W	10	RES
98	RESISTOR 100 OHMS 1/4W	10	RES
99	RESISTOR 100 OHMS 1/4W	10	RES
100	RESISTOR 100 OHMS 1/4W	10	RES

POWER SUPPLY, KEPCO SWITCHING, & OUTPUT

D 50335 951100033





SPECIFICATIONS

INPUT VOLTAGE	100 TO 150VAC OR 200 TO 260VAC, SELECTABLE BY JUMPER PLUG, 47 TO 440HZ
BROWNOUT VOLTAGE	90VAC/160VAC
INPUT CURRENT	1.9A NOMINAL @ FULL LOAD AND 90VAC INPUT GREATER THAN 70% TYPICAL
EFFICIENCY	+5V AT 4.65A. +12V*1 AT 2.9A. +12V*2 AT 2.0A. -12V AT 0.5A.
OUTPUT AT 0° TO 50° C	+5.13 TO 5.19V TYP. +10.96 TO 12.17V TYP. (*1) +11.15 TO 12.21V TYP. (*2) -11.99 TO -12.03V TYP.
OUTPUT VOLTAGE TOLERANCES	+5V 47/120mV P-P MAX. +12V*1 16/140mV P-P MAX. +12V 2 43/100mV P-P MAX. -12V 6/35mV P-P MAX.
OUTPUT RIPPLE	+5V: 6.7V
NOISE AT FULL LOAD	30A WITH 115VAC INPUT AT 25°C
OVERVOLTAGE PROTECTION THRESHOLD	12MS TYP AT 90VAC AND FULL LOAD
INPUT SURGE CURRENT COLD START	WITHIN FCC SPECIFICATION FOR CLASS B
OUTPUT HOLDING TIME	(NOT SPECIFIED)
EMI - CONDUCTED	
EMI - RADIATED	
TRANSIENT CROSS REGULATION +12V*2	30mV P-P TYP.
LEAKAGE CURRENT	0.3mA
INSULATION RESISTANCE (500VDC)	INPUT TO OUTPUT: >100 MEGAOHMS INPUT TO GROUND: >100 MEGAOHMS OUTPUT TO GROUND: >100 MEGAOHMS

TOTAL	L1R	CLASSIFICATION	DATE	APPROVED
-------	-----	----------------	------	----------

EXCELTRONIX COMPONENTS & COMPUTING INC.
319 COLLEGE STREET
TORONTO, ONTARIO
M5T 1S2

INPUT TO OUTPUT AND GROUND ISOLATION (AT 25°C AMB. TEMP)	1.5KVAC FOR 60 SECONDS
AMBIENT OPERATING TEMPERATURE RANGE	0° TO 50° C

CONTRACT NO.	DATE	POWER SUPPLY, KEPCO SWITCHING, 4 OUTPUT	SIZE	SHEET 2 OF 6
APPROVALS	DATE	POWER SUPPLY, KEPCO SWITCHING, 4 OUTPUT	CODE IDENT. NO. DRAWING NO.	
DESIGNED BY	DATE		B 50338 951100033	
CHECKED BY	DATE			
SCALE			SCALE HALF	

DO NOT SCALE DRAWING	SEE PAGE 1
APPLICATION	VIDEO OM

